

VS-IP20-IP20-93R-LI/2,0 - Network cable



1416239

<https://www.phoenixcontact.com/us/products/1416239>

Please be informed that the data shown in this PDF document is generated from our online catalog. Please find the complete data in the user documentation. Our general terms of use for downloads are valid.



Assembled PROFINET cable, CAT5e, shielded, star-quad, 22 AWG stranded (19-wire), RAL 6018 (yellow green), RJ45 male connector/IP20 to RJ45 male connector/IP20, line, length: 2 m

Commercial data

Item number	1416239
Packing unit	1 pc
Minimum order quantity	1 pc
Product key	ABNABA
Catalog page	Page 310 (PC-2011)
GTIN	4046356473378
Weight per piece (including packing)	145.7 g
Weight per piece (excluding packing)	117.732 g
Country of origin	PL

Technical data

Product properties

Product type	Data cable preassembled
Application	Standard
Sensor type	Ethernet
Number of positions	4
No. of cable outlets	1
Shielded	yes
Cable outlet	straight

Insulation characteristics

Overvoltage category	I
----------------------	---

Signaling

Status display	No
----------------	----

Electrical properties

Transmission medium	Copper
Transmission characteristics (category)	CAT5 (IEC 11801:2002)
Transmission speed	100 Mbps
Wave impedance	100 Ω

Mechanical properties

Mechanical data

Insertion/withdrawal cycles	≥ 1000
Insertion force per signal contact	50.00 N
Extraction force per signal contact	30 N

Material specifications

Outer sheath, material	PUR
Conductor material	Tin-plated Cu litz wires

Connector

Connection 1

Type	Plug straight RJ45
Shielded	yes
Degree of protection	IP20

Connection 2

Type	Plug straight RJ45
Shielded	yes
Insertion/withdrawal cycles	≥ 750
Degree of protection	IP20

VS-IP20-IP20-93R-LI/2,0 - Network cable




1416239

<https://www.phoenixcontact.com/us/products/1416239>

Cable/line

Cable length	2.00 m
--------------	--------

PROFINET robot CAT5 [93R]

Dimensional drawing	
Shielded	yes
UL AWM Style	20233 (80°C/300 V)
Cable weight	55 kg/km
Cable type	PROFINET robot CAT5
Short symbol	02YSC11Y
Cable type (abbreviation)	93R
Signal type/category	PROFINET CAT5 (IEC 11801), 100 Mbps EtherCAT® CAT5 (IEC 11801), 100 Mbps
Cable structure	1x4xAWG22/19, S/TQ
External cable diameter	6.50 mm ±0.2 mm
Outer sheath, material	PUR
External sheath, color	green RAL 6018
Thickness, outer sheath	approx. 1.00 mm
Conductor material	Tin-plated Cu litz wires
Conductor structure signal line	19x 0.15 mm
AWG signal line	22
Conductor cross section	4x 0.34 mm ²
Material wire insulation	Foamed PE
Wire diameter incl. insulation	1.5 mm
Single wire, color	white, yellow, blue, orange
Overall twist	Star quad
Shielding	Tinned copper braided shield
Optical shield covering	85 %
Nominal voltage, cable	300 V
Test voltage Core/Core	2000 V (50 Hz, 1 min.)
Test voltage Core/Shield	2000.00 V (50 Hz, 1 min.)
Cable insulation resistance	≥ 500 MΩ*km
Wave impedance	100 Ω ±5 Ω (at 100 MHz)
Loop resistance	≤ 120.00 Ω/km
Signal runtime	4.8 ns/m
Minimum bending radius, fixed installation	5 x D

VS-IP20-IP20-93R-LI/2,0 - Network cable



1416239

<https://www.phoenixcontact.com/us/products/1416239>

Torsion force	± 180 °/m
Torsion cycles	1000000
Halogen-free	according to IEC 60754-1
Resistance to oil	in accordance with DIN EN 60811-2-1
Flame resistance	according to IEC 60332-1-2
Other resistance	UV resistant (According to UL 1581, Section 1200)
Ambient temperature (operation)	-40 °C ... 80 °C
	-40 °C ... 80 °C

Environmental and real-life conditions

Ambient conditions

Degree of protection	IP20
	IP20

VS-IP20-IP20-93R-LI/2,0 - Network cable

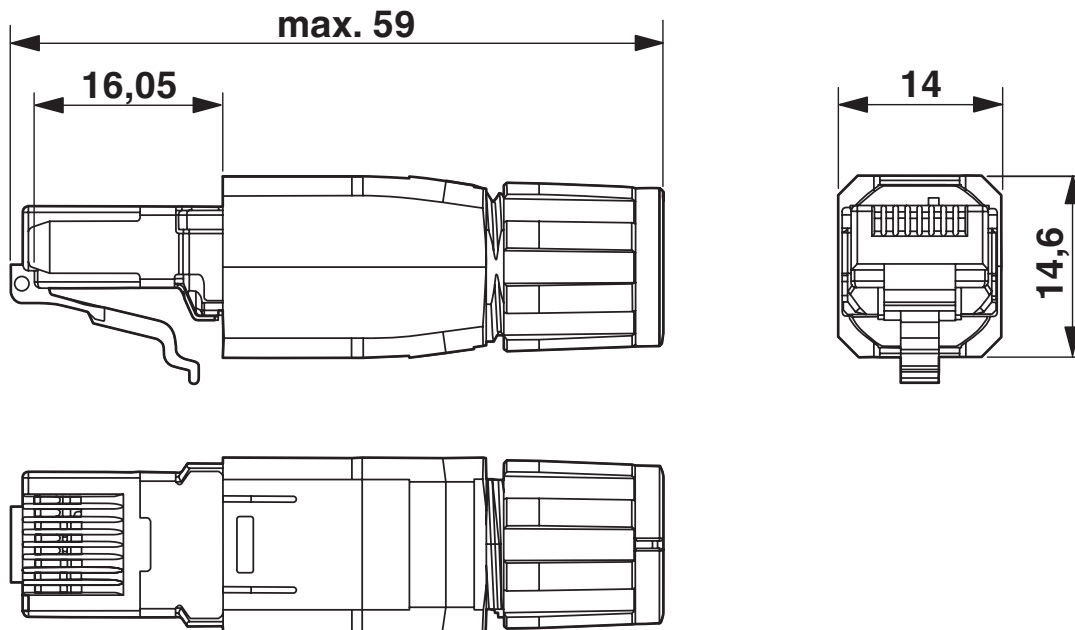


1416239

<https://www.phoenixcontact.com/us/products/1416239>

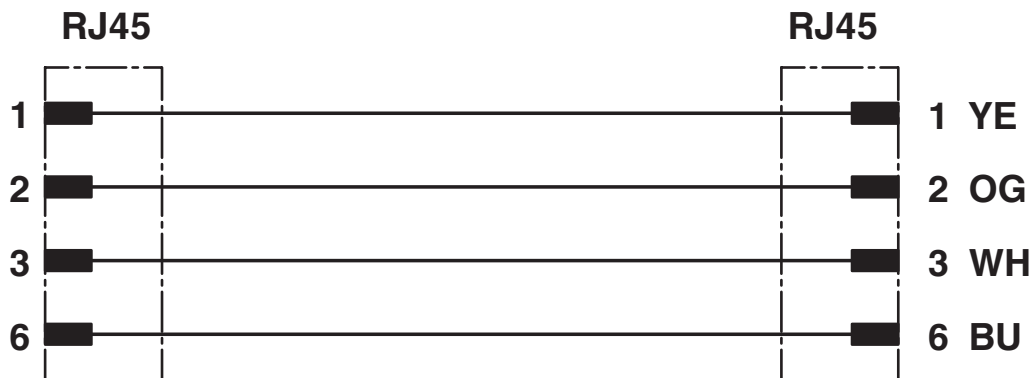
Drawings

Dimensional drawing



RJ45 connector, IP20

Circuit diagram



VS-IP20-IP20-93R-LI/2,0 - Network cable



1416239

<https://www.phoenixcontact.com/us/products/1416239>

Approvals

To download certificates, visit the product detail page: <https://www.phoenixcontact.com/us/products/1416239>



EAC

Approval ID: 19060508

VS-IP20-IP20-93R-LI/2,0 - Network cable



1416239

<https://www.phoenixcontact.com/us/products/1416239>

Classifications

ECLASS

ECLASS-11.0	27060308
ECLASS-12.0	27060308
ECLASS-13.0	27060307

ETIM

ETIM 9.0	EC002599
----------	----------

UNSPSC

UNSPSC 21.0	26121600
-------------	----------

VS-IP20-IP20-93R-LI/2,0 - Network cable



1416239

<https://www.phoenixcontact.com/us/products/1416239>

Environmental product compliance

EU RoHS

Fulfills EU RoHS substance requirements	Yes, No exemptions
---	--------------------

China RoHS

Environment friendly use period (EFUP)	EFUP-E
	No hazardous substances above the limits

EU REACH SVHC

REACH candidate substance (CAS No.)	No substance above 0.1 wt%
-------------------------------------	----------------------------

Phoenix Contact 2024 © - all rights reserved
<https://www.phoenixcontact.com>

Phoenix Contact USA
586 Fulling Mill Road
Middletown, PA 17057, United States
(+717) 944-1300
info@phoenixcon.com