



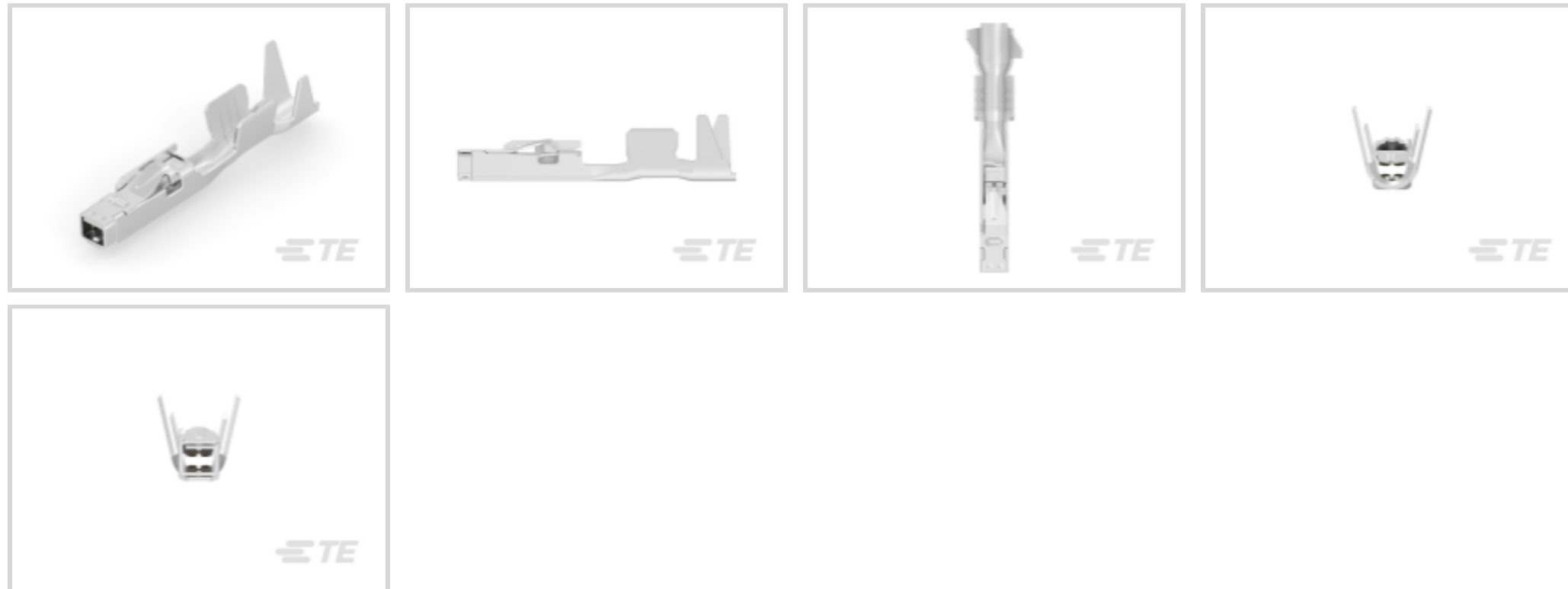
MCON | MCON 1.2mm

TE Internal #: 7-1452659-2

Receptacle, Mating Tab Width 1.2 mm [.047 in], Tab Thickness .6 mm [.024 in], 17 – 15 AWG Wire Size, MCON 1.2mm, Automotive Terminals

[View on TE.com >](#)

Terminals & Splices > Automotive Terminals > MCON Receptacle and Tab



Terminal Type: **Receptacle**

Mating Tab Width: 1.2 mm [.047 in]

Mating Tab Thickness: .6 mm [.024 in]

Terminal Transmits: 25 – 40 A (Power)

Wire Size: 17 – 15 AWG

[All MCON Receptacle and Tab \(65\)](#)

## Features

### Product Type Features

Receptacle Style	180°
Sealable	No
Primary Locking Feature	Locking Lance

### Contact Features

Contact Size	1.2mm
Contact Fabrication	Stamped & Formed
Typical Current Rating	25 A
Crimp Type	F-Crimp
Terminal Type	Receptacle
Mating Tab Width	1.2 mm [.047 in]
Mating Tab Thickness	.6 mm [.024 in]
Interface Plating	Gold (Au)



### Termination Features

Termination Method to Wire & Cable	Crimp
Product Terminates To	Wire

### Dimensions

Compatible Insulation Diameter Range	1.6 – 2.4 mm [.063 – .094 in]
Wire Size	1 – 1.5 mm <sup>2</sup>
Wire Size Search	15 AWG, 16 AWG, 17 AWG

### Usage Conditions

Insulation Option	Uninsulated
Operating Temperature (Max)	80 °C, 85 °C, 90 °C, 100 °C, 105 °C, 110 °C, 120 °C, 125 °C, 130 °C, 140 °C, 145 °C, 150 °C [176 °F][185 °F][194 °F][212 °F][221 °F][230 °F][248 °F][257 °F][266 °F][284 °F][293 °F][302 °F]
Operating Temperature Range	-40 – 150 °C [-40 – 302 °F]

### Operation/Application

Conforms to KOMAX Automatic Component Insertion Guideline	Yes, per Version 5.0 (March 2018)
Compatible With Wire Base Material	Copper

### Packaging Features

Packaging Quantity	8000
Packaging Method	Reel

### Other

Terminal Transmits	25 – 40 A (Power)
--------------------	-------------------

### Product Compliance

For compliance documentation, visit the product page on [TE.com](https://www.te.com)>

EU RoHS Directive 2011/65/EU	Compliant
EU ELV Directive 2000/53/EC	Compliant
China RoHS 2 Directive MIIT Order No 32, 2016	No Restricted Materials Above Threshold
EU REACH Regulation (EC) No. 1907/2006	Current ECHA Candidate List: JUNE 2024 (241) Candidate List Declared Against: JUNE 2024 (241) Does not contain REACH SVHC
Halogen Content	Low Halogen - Br, Cl, F, I < 900 ppm per

homogenous material. Also BFR/CFR/PVC Free

Solder Process Capability

Not reviewed for solder process capability

Product Compliance Disclaimer

This information is provided based on reasonable inquiry of our suppliers and represents our current actual knowledge based on the information they provided. This information is subject to change. The part numbers that TE has identified as EU RoHS compliant have a maximum concentration of 0.1% by weight in homogenous materials for lead, hexavalent chromium, mercury, PBB, PBDE, DBP, BBP, DEHP, DIBP, and 0.01% for cadmium, or qualify for an exemption to these limits as defined in the Annexes of Directive 2011/65/EU (RoHS2). Finished electrical and electronic equipment products will be CE marked as required by Directive 2011/65/EU. Components may not be CE marked. Additionally, the part numbers that TE has identified as EU ELV compliant have a maximum concentration of 0.1% by weight in homogenous materials for lead, hexavalent chromium, and mercury, and 0.01% for cadmium, or qualify for an exemption to these limits as defined in the Annexes of Directive 2000/53/EC (ELV). Regarding the REACH Regulation, the information TE provides on SVHC in articles for this part number is based on the latest European Chemicals Agency (ECHA) 'Guidance on requirements for substances in articles' posted at this URL: <https://echa.europa.eu/guidance-documents/guidance-on-reach>

### Compatible Parts



TE Part # 5-1579007-3  
EXTRACTION TOOL



TE Part # 2-1670916-1  
2POS, MCON 1.2 LL REC SEALED



TE Part # 1-1670918-1  
4POS, MCON 1.2 LL REC SEALED



TE Part # 1-1670916-1  
2POS, MCON 1.2 LL REC SEALED



TE Part # 1-2282337-5  
10POS, MCON 1.2 LL REC SEALED  
2ROW



TE Part # 1-2287960-5  
4POS, MCON 1.2 LL REC SEALED  
2ROW



TE Part # 1-2287965-5  
6POS, MCON 1.2 LL REC SEALED  
2ROW



TE Part # 1-2287970-5  
8POS, MCON 1.2 LL REC SEALED  
2ROW



TE Part # 1-2323170-5  
12POS, MCON 1.2 LL REC SEALED  
2ROW



TE Part # 2-1670442-9  
38POS, MIXED, REC. HSG



TE Part # 2-1718643-4  
2POS, MCON 1.2 LL REC SEALED



TE Part # 2-2287965-5  
6POS, MCON 1.2, REC HSG, ASSY, SLD



TE Part # 2-2323170-5  
12POS, MCON 1.2 LL REC SEALED  
2ROW



TE Part # 2141627-1  
4POS MIXED MOS REC



TE Part # 2151353-1  
OCEAN\_2.0\_APPLICATOR-S-  
070F090BX-RSM



TE Part # 2151353-2  
OCEAN\_2.0\_APPLICATOR-S-  
070F090BX-RSA



TE Part # 2305570-1  
Strip Terminal Cutter-Side Feed-No  
Crimp



TE Part # 2382871-1  
16POS, MCON 1.2, REC HSG ASSY,  
UNSLD, COD A

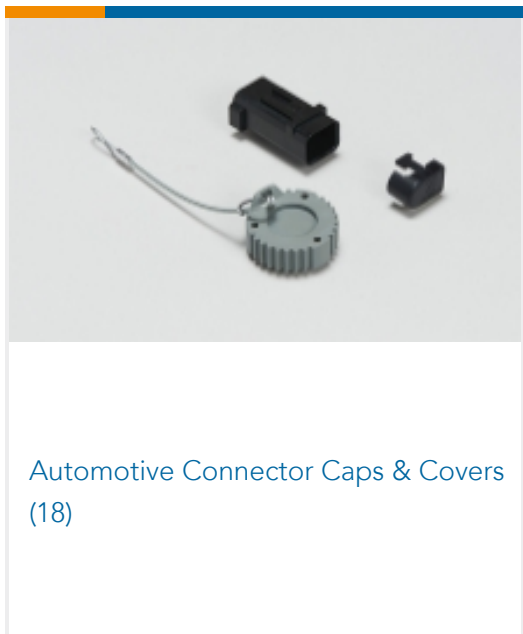


TE Part # 2382871-2  
16POS, MCON 1.2, REC HSG ASSY,  
UNSLD, CODE B

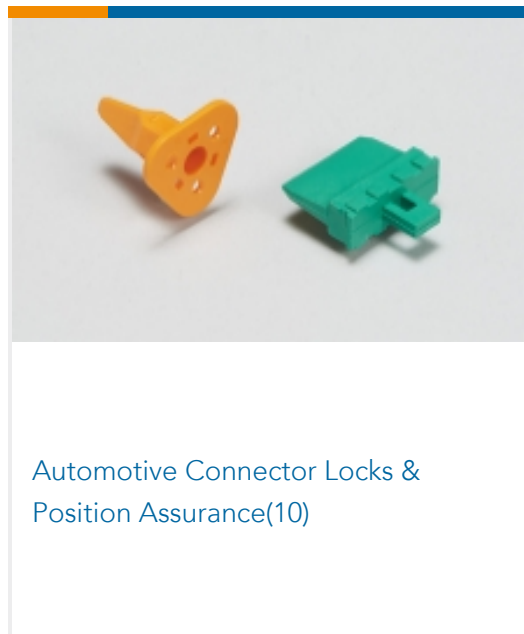


TE Part # 2382871-3  
16POS, MCON 1.2, REC HSG ASSY,  
UNSLD, CODE C

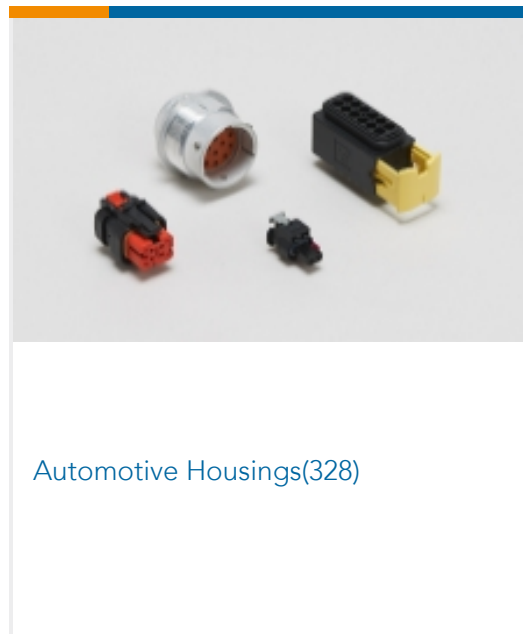
## Also in the Series | MCON 1.2mm



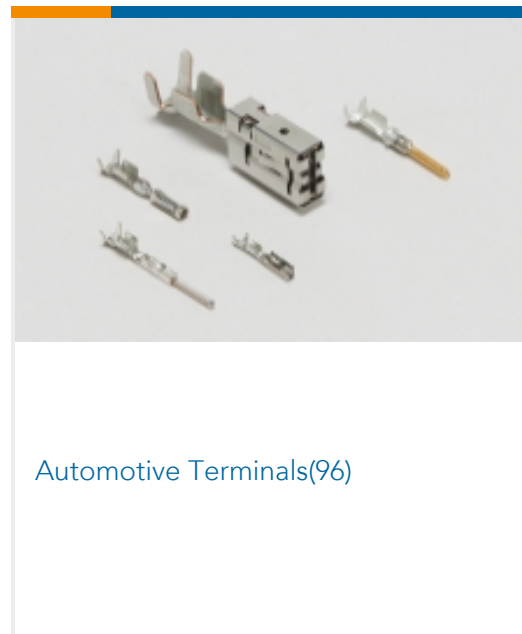
Automotive Connector Caps & Covers  
(18)



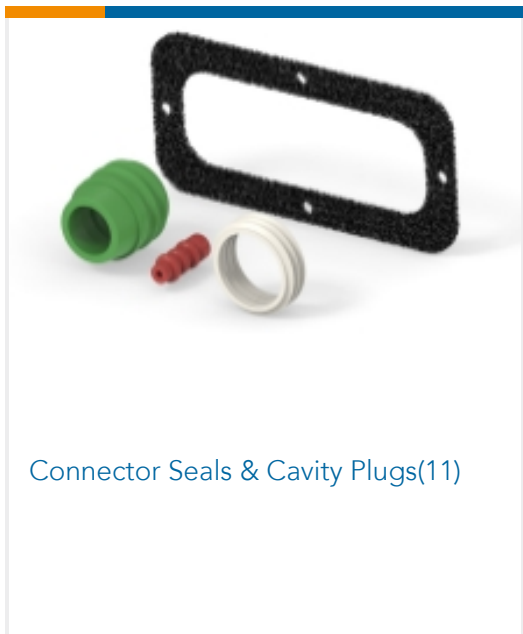
Automotive Connector Locks &  
Position Assurance(10)



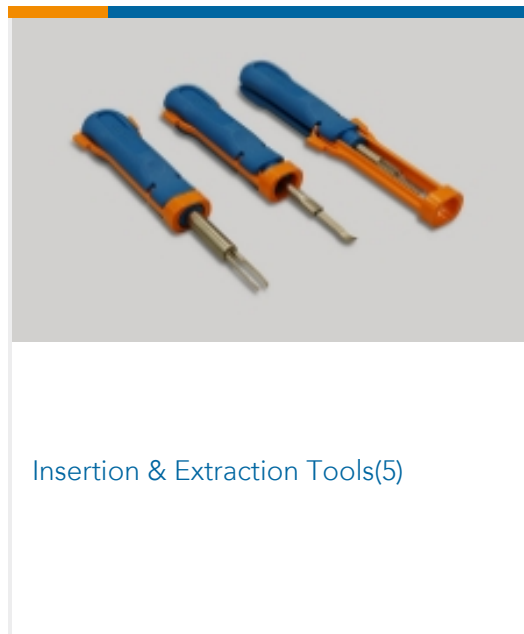
Automotive Housings(328)



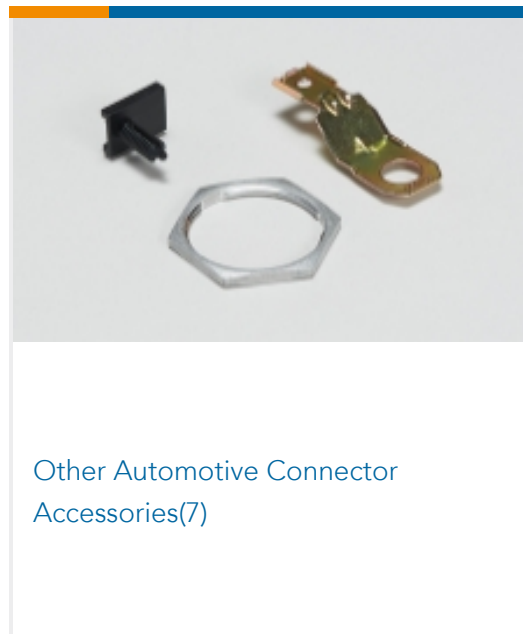
Automotive Terminals(96)



Connector Seals & Cavity Plugs(11)

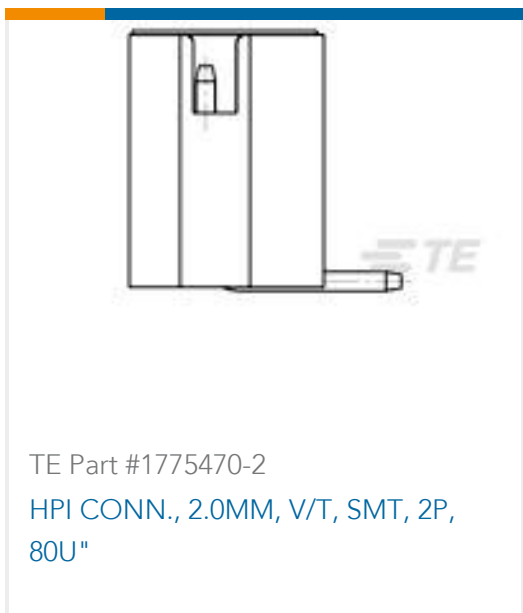


Insertion & Extraction Tools(5)



Other Automotive Connector  
Accessories(7)

## Customers Also Bought



TE Part #1775470-2  
HPI CONN., 2.0MM, V/T, SMT, 2P,  
80U



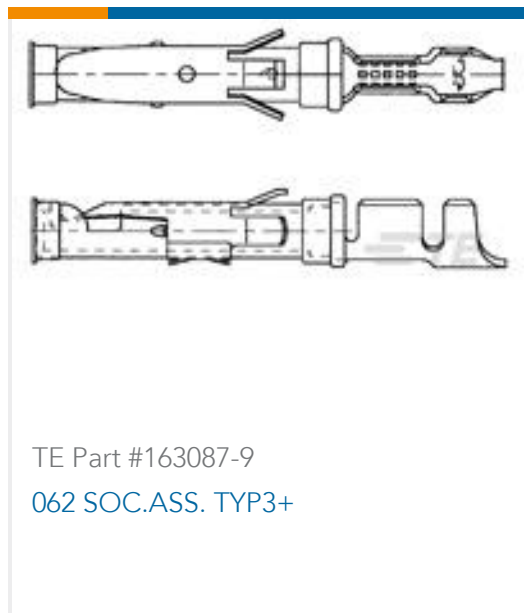
TE Part #1676966-7  
SMW2 R18 5%



TE Part #3-1393779-2  
V23101D 106A201



TE Part #644753-2  
02P MTA156 HDR ASSY RN STR F/L



## Documents

### Product Drawings

[MCON 1.2 LL REC SRC AU](#)

English

### CAD Files

[3D PDF](#)

3D

Customer View Model

[ENG\\_CVM\\_CVM\\_7-1452659-2\\_A.2d\\_dxf.zip](#)

English

Customer View Model

[ENG\\_CVM\\_CVM\\_7-1452659-2\\_A.3d\\_igs.zip](#)

English

Customer View Model

[ENG\\_CVM\\_CVM\\_7-1452659-2\\_A.3d\\_stp.zip](#)

English

By downloading the CAD file I accept and agree to the [Terms and Conditions](#) of use.

### Product Specifications

[Application Specification](#)

German

[Application Specification](#)

English

[Application Specification](#)

English