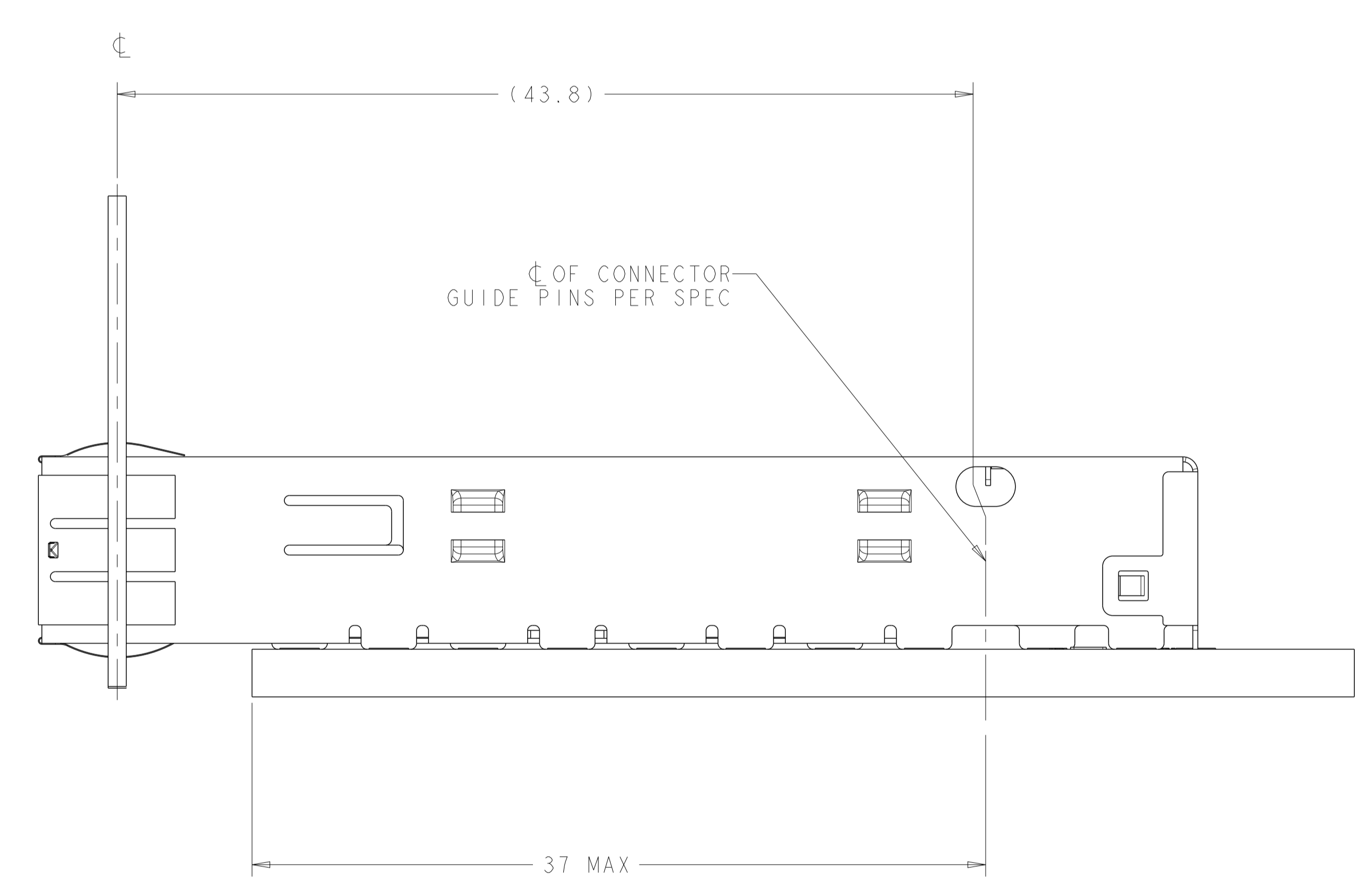
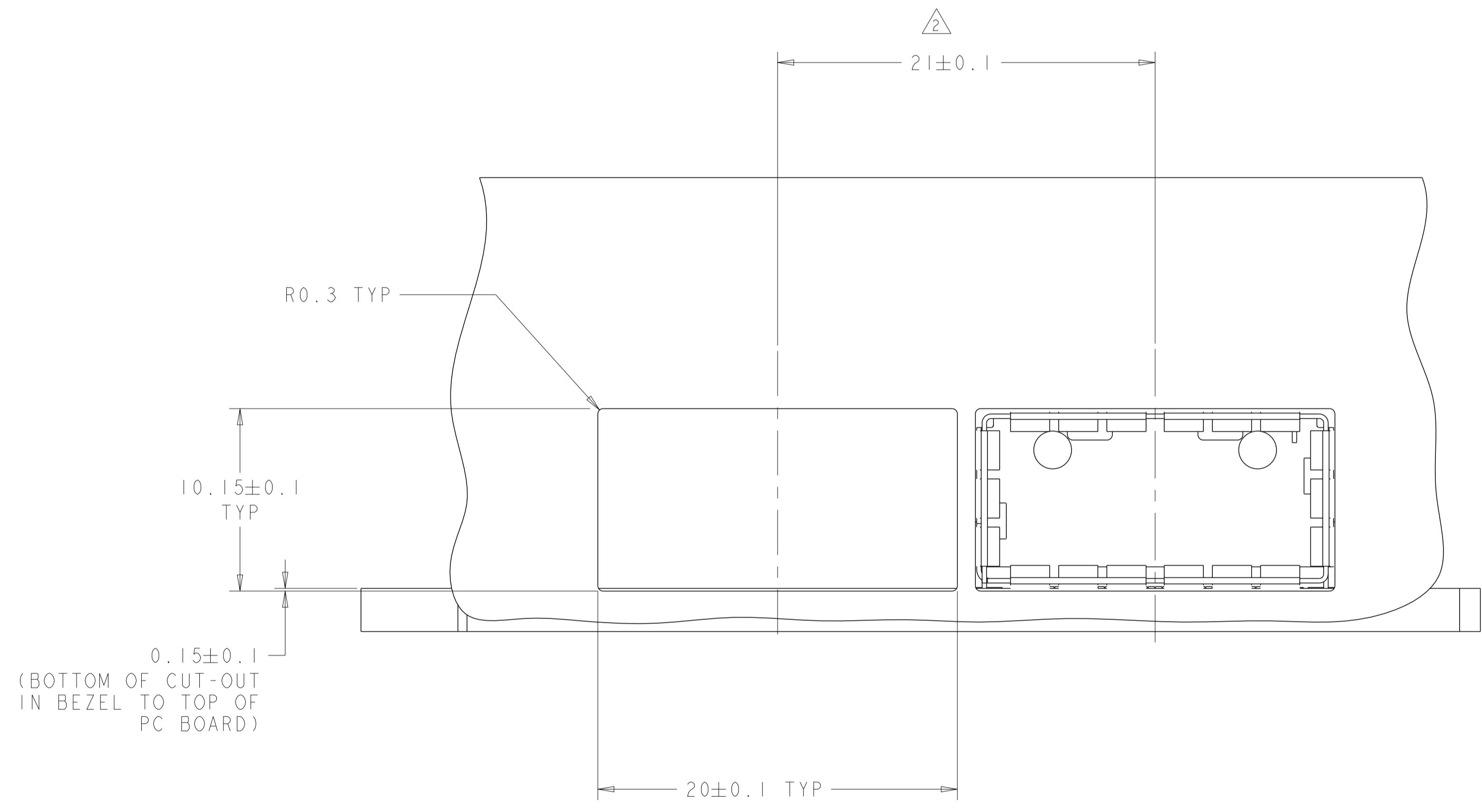
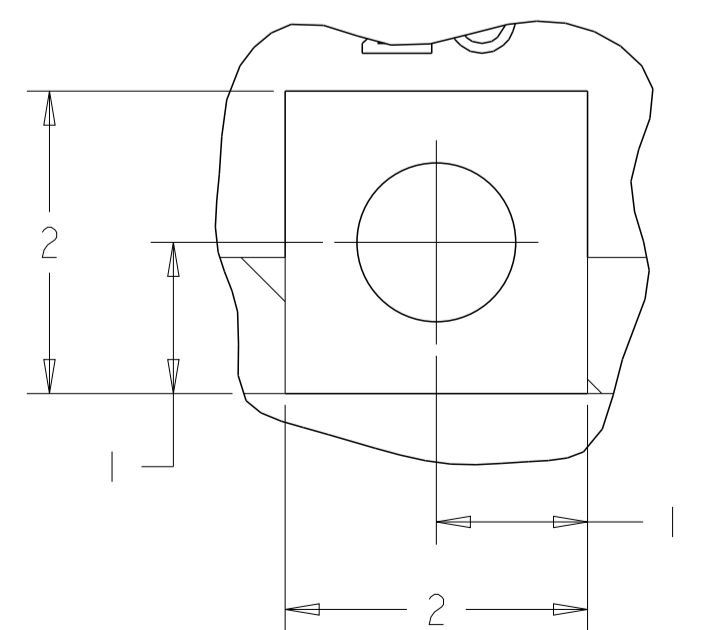
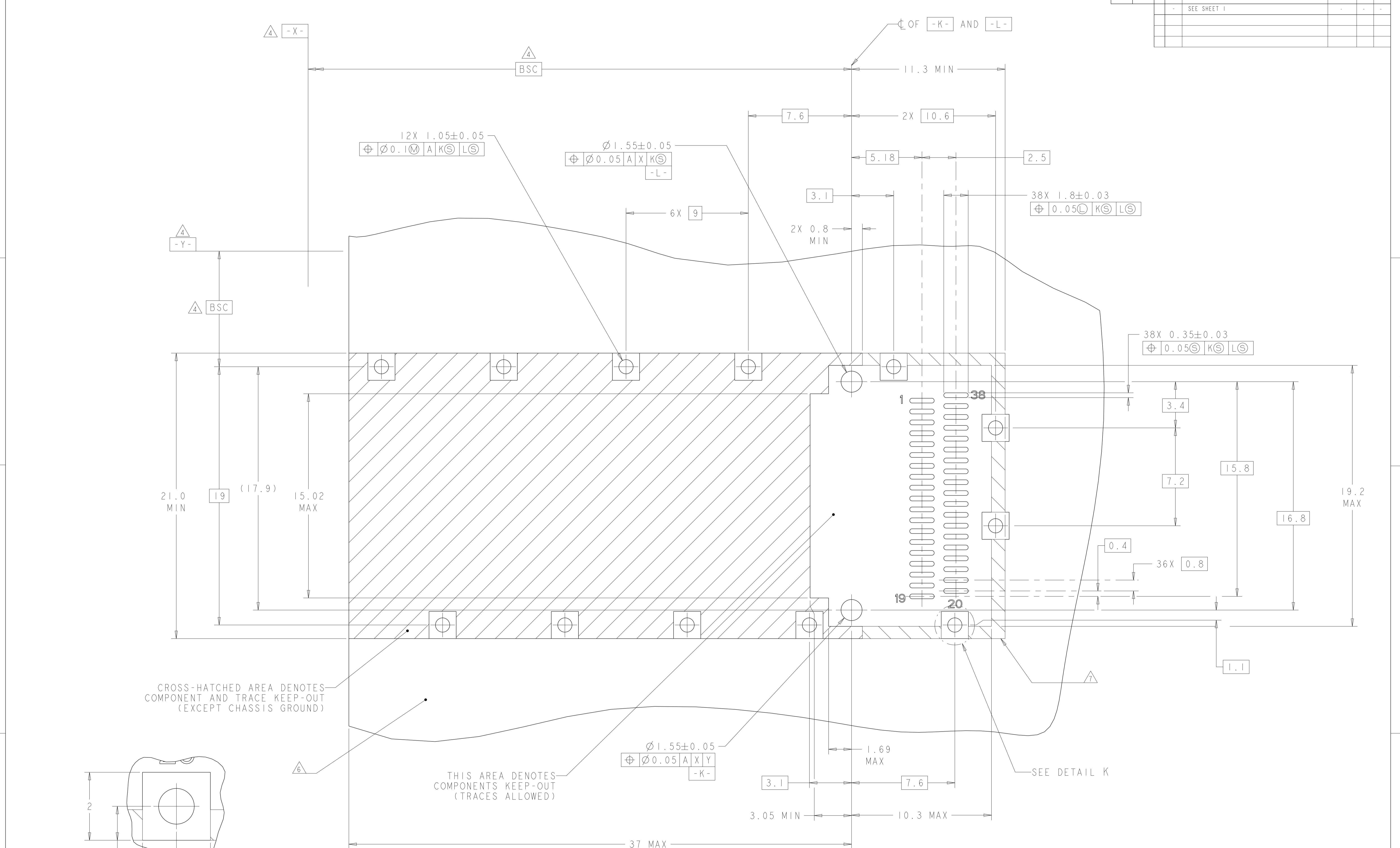


LOC	DIST	REVISIONS					
GP	00	P	LTN	DESCRIPTION	DATE	DWN	APVD
-	-	-	-	SEE SHEET 1	-	-	-



<small>THIS DRAWING IS UNPUBLISHED. RELEASED FOR PUBLICATION 07 COPYRIGHT 2007 BY TYCO ELECTRONICS CORPORATION. ALL RIGHTS RESERVED.</small>		DWN: Z.M. REAM 22SEP2009 CHK: J.R. PETERSON 22SEP2009 APVD: B.H. WERTZ 22SEP2009	Tyco Electronics Harrisburg, PA 17105-3608
DIMENSIONS: mm 	TOLERANCES UNLESS OTHERWISE SPECIFIED: 0 PLC ±0.1 1 PLC ±0.1 2 PLC ±0.1 3 PLC ± 4 PLC ± ANGLES ± FINISH	NAME: QSF PRODUCT SPEC: 108-2286 APPLICATION SPEC: 114-13217 WEIGHT:	RESTRICTED TO: A 00779 C=2110487.asm SCALE: 5:1 SHEET 2 OF 5 REV A
MATERIAL: -		CUSTOMER DRAWING	

LOC	DIST	REVISIONS					
GP	00	P	LTN	DESCRIPTION	DATE	DWN	APVD
		-		SEE SHEET 1			

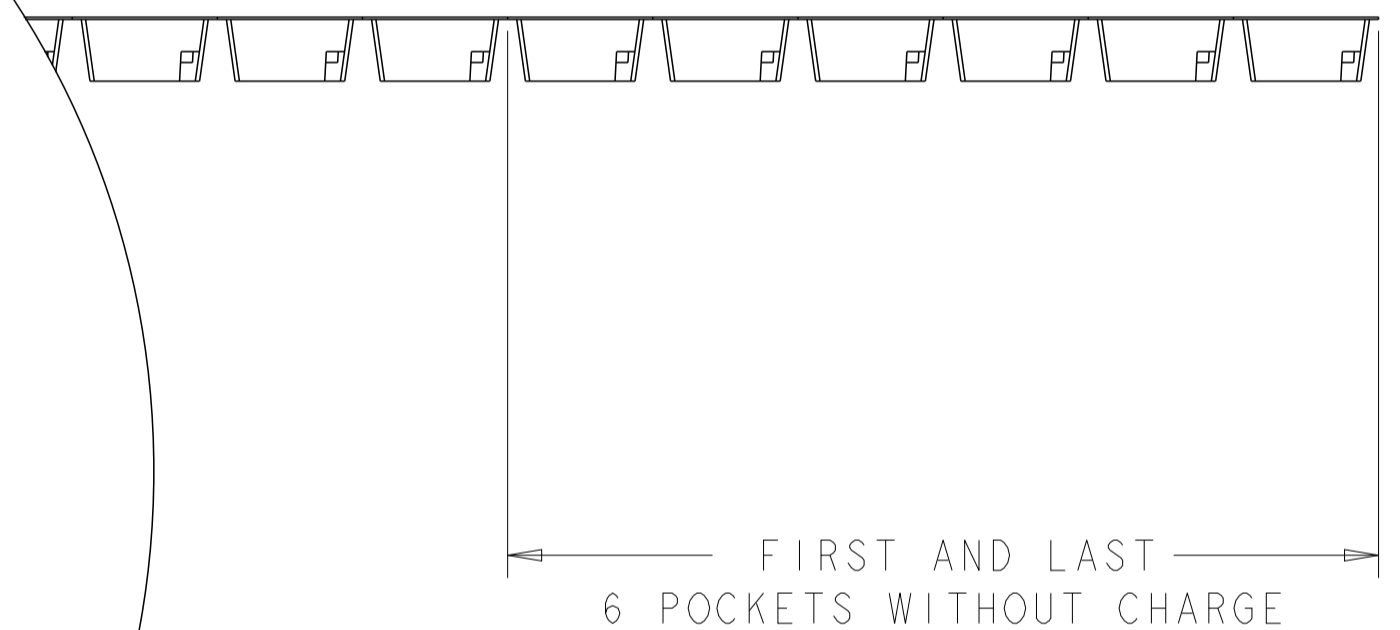
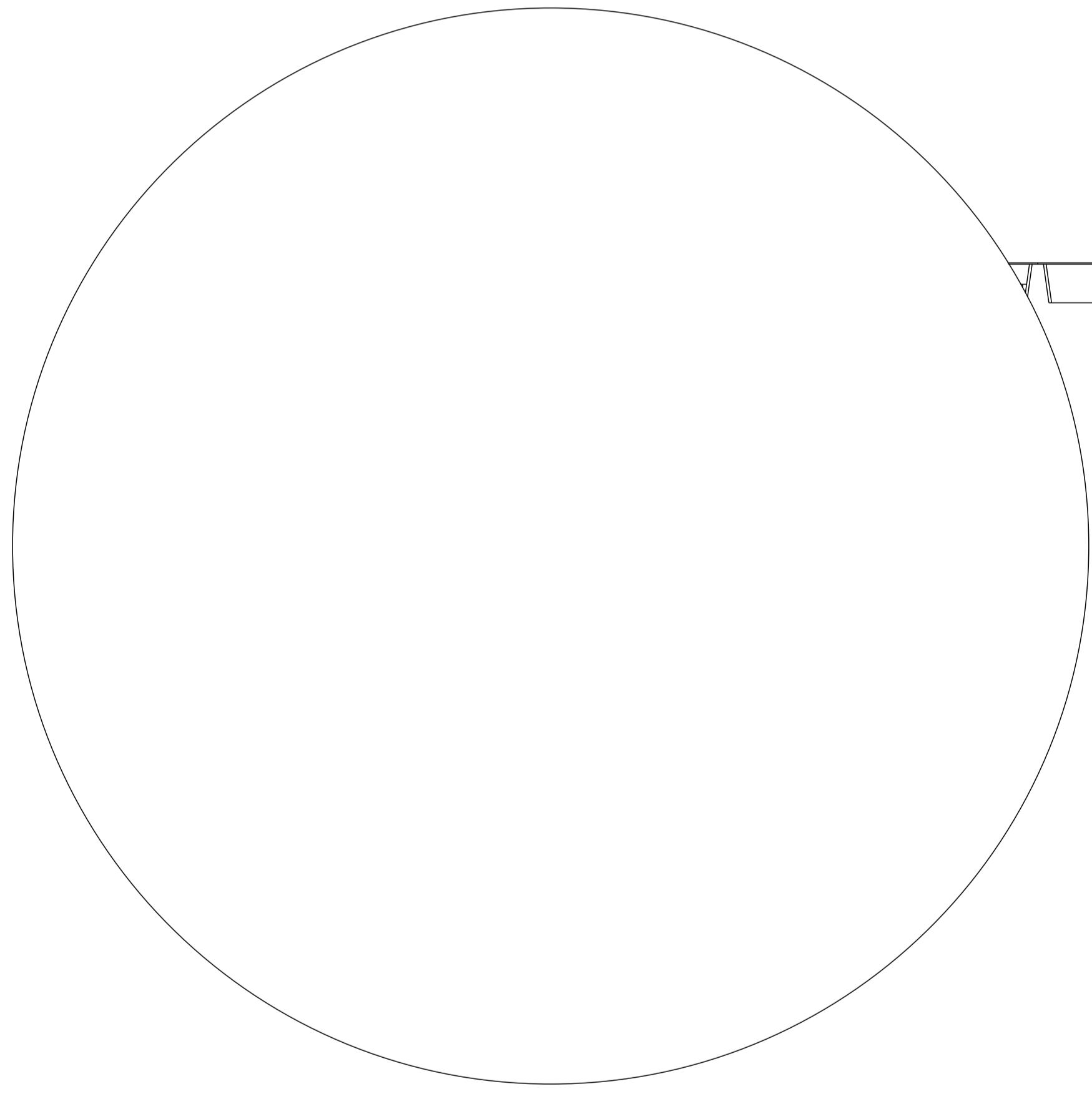
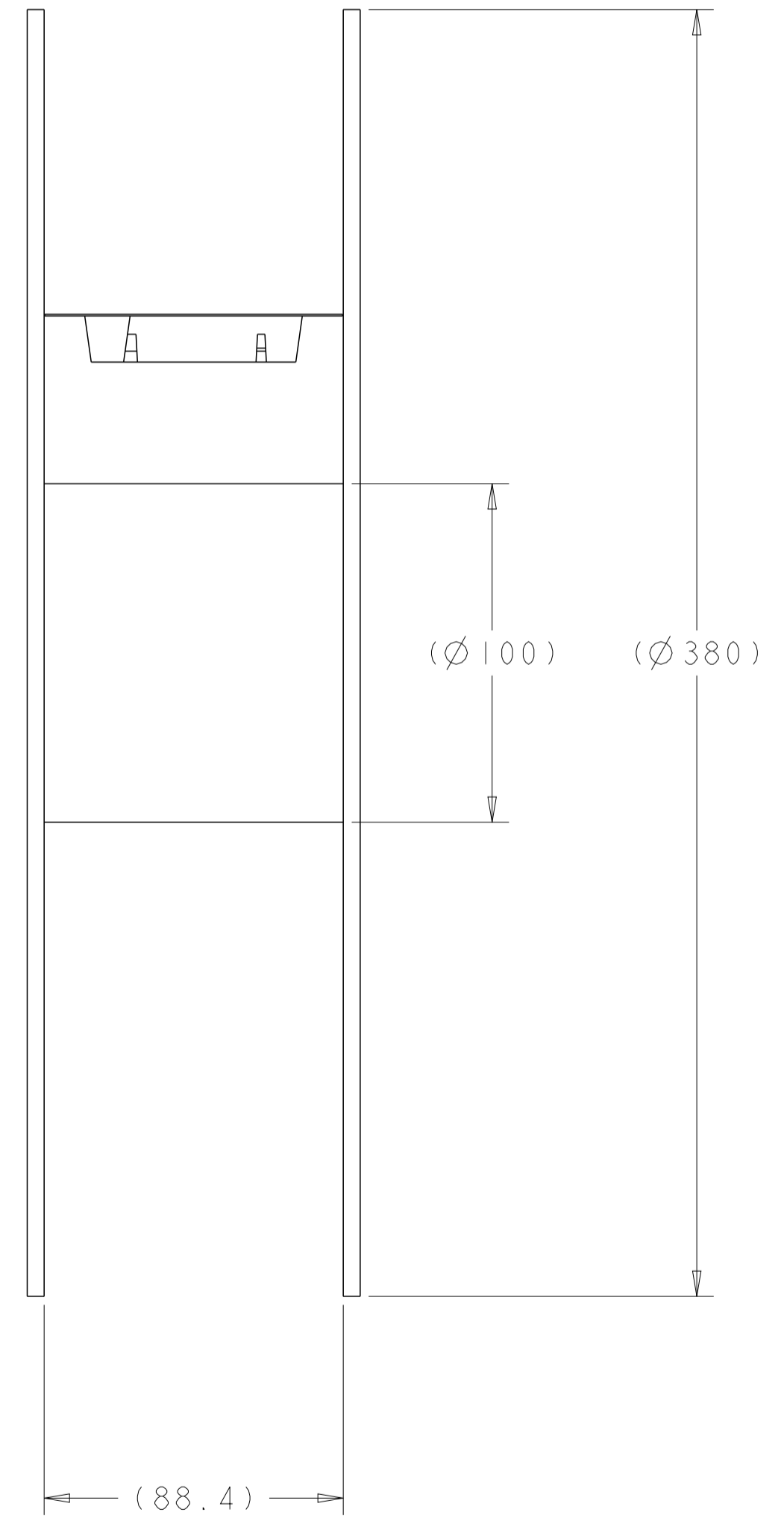
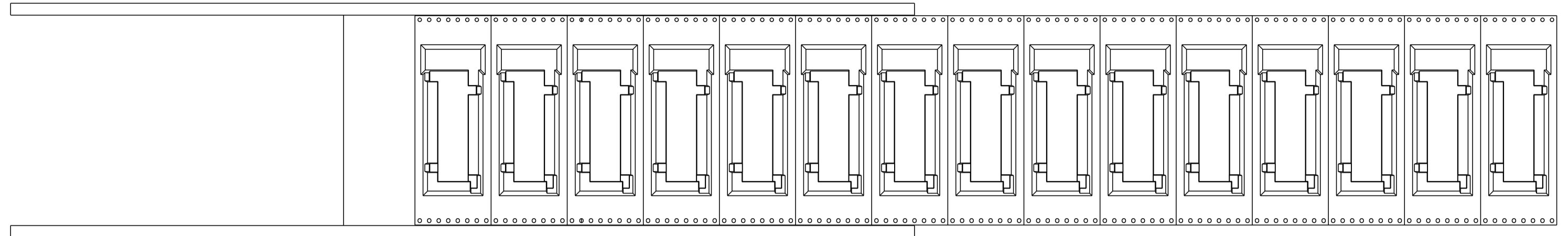


DETAIL K
 SCALE 20:1

RECOMMENDED PC BOARD LAYOUT
 SCALE 8:1

<small>THIS DRAWING IS UNPUBLISHED. RELEASED FOR PUBLICATION BY TYCO ELECTRONICS CORPORATION. ALL RIGHTS RESERVED.</small>		DWN: Z.M. BEAM 22SEP2009 CHK: J.R. PETERSON 22SEP2009 APVD: B.H. WERTZ 22SEP2009	Tyco Electronics Harrisburg, PA 17105-3608
DIMENSIONS: mm 	TOLERANCES UNLESS OTHERWISE SPECIFIED: 0 PLC ±0.1 1 PLC ±0.1 2 PLC ±0.1 3 PLC ±0.1 4 PLC ±0.1 ANGLES ±°	NAME: OSFP PRODUCT SPEC: 108-2286 APPLICATION SPEC: 114-13217 WEIGHT: - CUSTOMER DRAWING	SIZE: A 00779 CAGE CODE: C=2110487 DRAWING NO: asm SCALE: 5:1 SHEET: 3 of 5 REV: A

LOC	DIST	REVISIONS			
P	LTN	DESCRIPTION	DATE	DMN	APVD
-	-	SEE SHEET 1	-	-	-

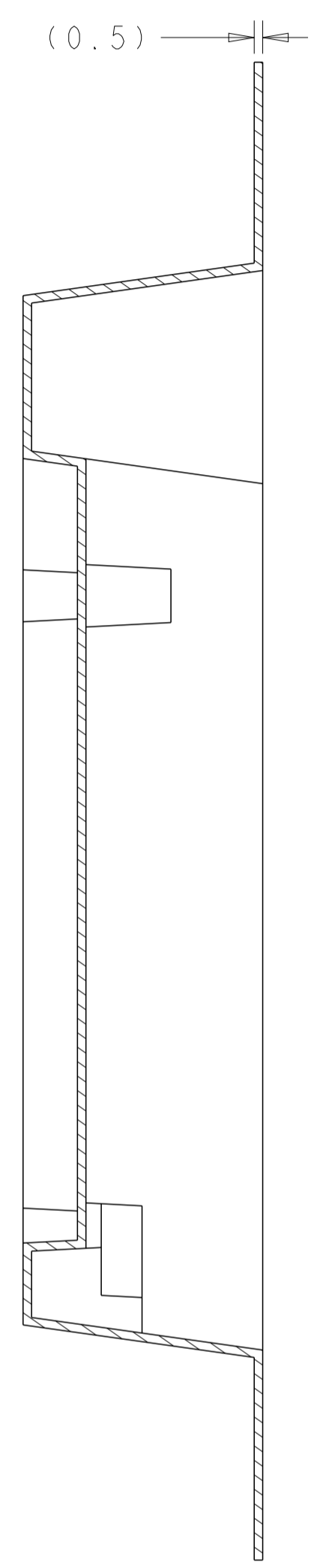


➔
DIRECTION OFF
TOP OF REEL

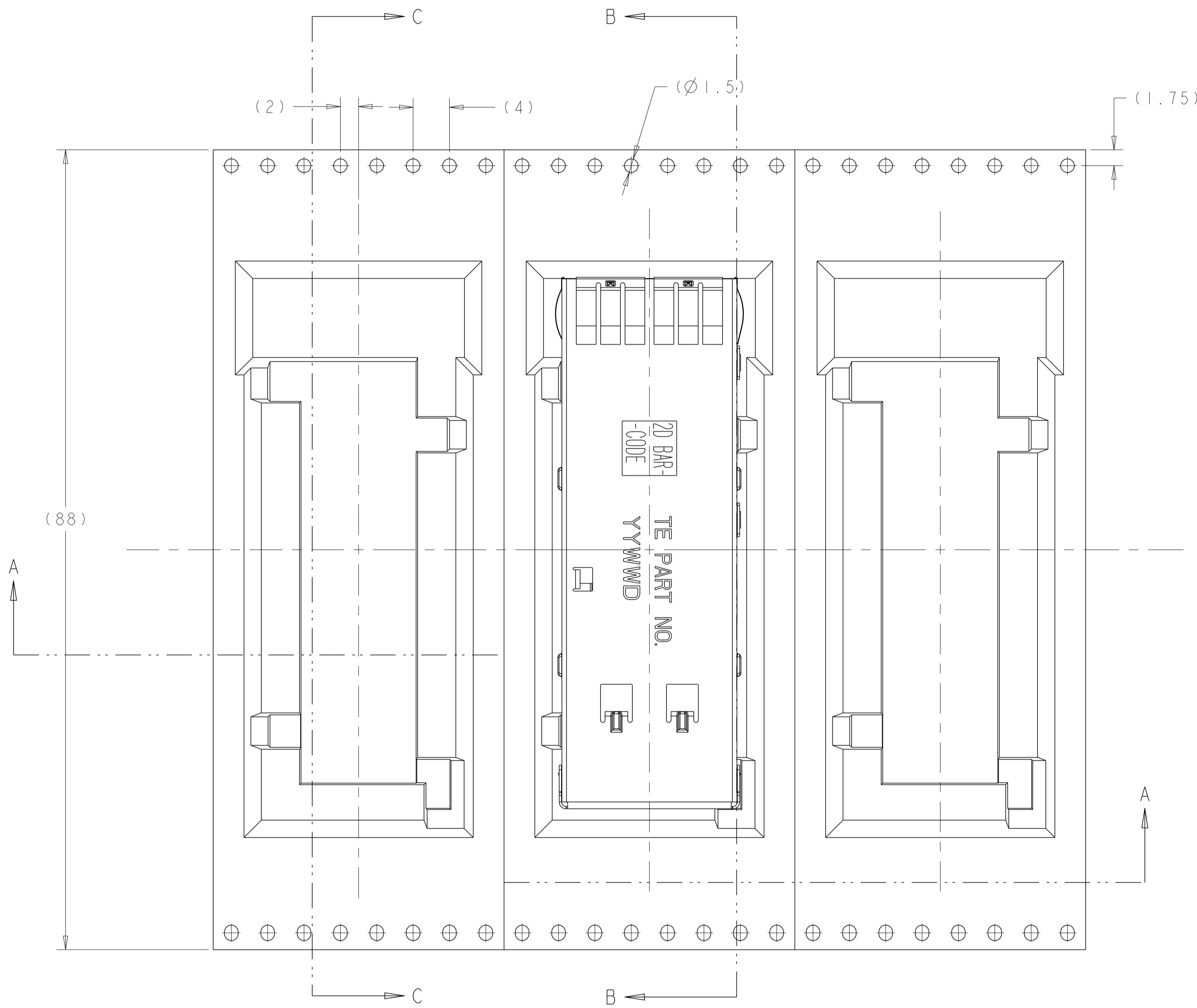
REEL PACKAGING
180 PCS PER REEL
SCALE 3:5

<small>THIS DRAWING IS UNPUBLISHED. RELEASED FOR PUBLICATION 07 © COPYRIGHT 2007 BY TYCO ELECTRONICS CORPORATION. ALL RIGHTS RESERVED.</small>		DMN: Z.M.REAM 22SEP2009 CHK: J.R.PETERSON 22SEP2009 APVD: B.H.WERTZ 22SEP2009	Tyco Electronics Harrisburg, PA 17105-3608
DIMENSIONS: mm 	TOLERANCES UNLESS OTHERWISE SPECIFIED: 0 PLC ±0.1 1 PLC ±0.1 2 PLC ±0.1 3 PLC ± 4 PLC ± ANGLES ± FINISH	NAME: OSFP PRODUCT SPEC: 108-2286 APPLICATION SPEC: 114-13217 WEIGHT: - CUSTOMER DRAWING	SIZE: A CAGE CODE: 00779 DRAWING NO: C=2110487.asm RESTRICTED TO: - SCALE: 5:1 SHEET: 4 OF 5 REV: A

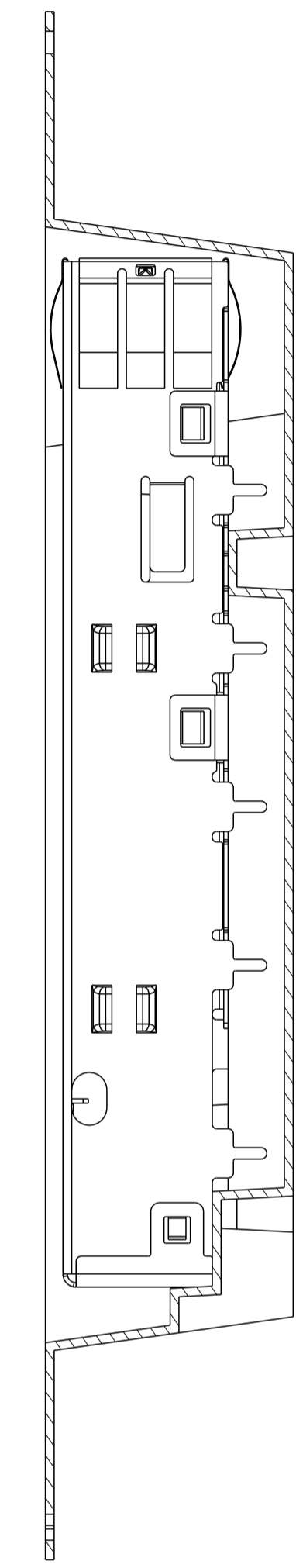
LOC	DIST	REVISIONS					
GP	00	P	LTN	DESCRIPTION	DATE	DWN	APVD
-	-	-	-	SEE SHEET 1	-	-	-



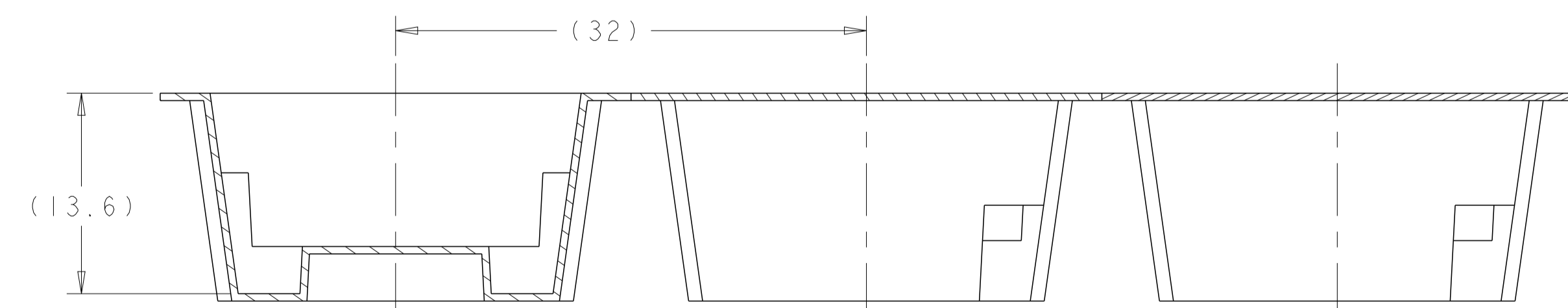
SECTION C-C



SCALE 3:1



SECTION B-B



SECTION A-A

PACKAGING TAPE LAYOUT
SCALE APPROXIMATE

<small>THIS DRAWING IS UNPUBLISHED. RELEASED FOR PUBLICATION 07 COPYRIGHT 2007 BY TYCO ELECTRONICS CORPORATION. ALL RIGHTS RESERVED.</small>		DWN Z.M. REAM 22SEP2009 CHK J.R. PETERSON 22SEP2009 APVD R.H. WERTZ 22SEP2009	Tyco Electronics Harrisburg, PA 17105-3608
DIMENSIONS: mm 	TOLERANCES UNLESS OTHERWISE SPECIFIED: 0 PLC ±0.1 1 PLC ±0.1 2 PLC ±0.1 3 PLC ± 4 PLC ± ANGLES ± FINISH	NAME QSFP PRODUCT SPEC 108-2286 APPLICATION SPEC 114-13217 WEIGHT CUSTOMER DRAWING	SIZE CAGE CODE DRAWING NO. RESTRICTED TO A 00779 C=2110487.asm SCALE 5:1 SHEET 5 OF 5 REV A