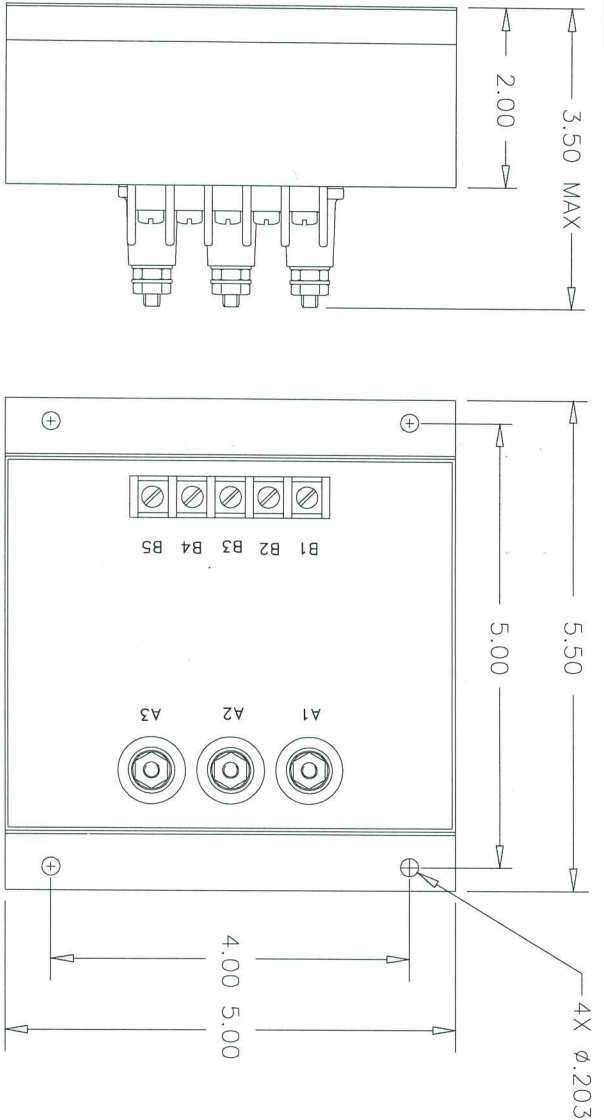


THIS DRAWING AND THE DESIGN IT DISCLOSES ARE THE PROPERTY OF KILOVAC CORP., AND IT IS ISSUED IN CONFIDENCE FOR YOUR USE ONLY. IT IS NOT TO BE REPRODUCED OR COPIED IN ANY MANNER WITHOUT THE WRITTEN PERMISSION OF KILOVAC CORP. ANY REPRODUCTION OR USE FOR ANY OTHER PURPOSE WITHOUT THE PRIOR EXPRESS CONSENT OF KILOVAC CORP. THE DRAWING IS LOANED FOR MUTUAL ASSISTANCE AND IS SUBJECT TO RECALL AT ANY TIME.



**SPECIFICATION**

- SENSING VOLTAGE (INPUT) 700VDC ±20%
- CONTROL VOLTAGE 28VDC ±20%
- INPUT/OUTPUT INS. RES. 100 MEGOHMS, MIN.
- DIELECTRIC, INPUT/OUTPUT TO CASE 1500 VRMS
- LOAD RESISTORS 470 OHMS, 2 WATTS
- LOAD LAMPS INCANDESCENT TYPE 342 (6V 40 mA)
- INPUT IMPEDANCE 2.25 MEGOHMS
- RESPONSE TIME DELAY .035 SEC. TYPICAL
- OPERATING TEMPERATURE 0 TO +75°C
- SHOCK MIL-S-901D
- VIBRATION MIL-STD-167-1

**OPERATION:** WITH NO LEAKAGE TO GROUND FROM EITHER SIDE OF THE 700VDC BUS, BOTH PARS OF LIGHTS WILL ILLUMINATE WITH THE SAME INTENSITY. WHEN A LEAKAGE FROM THE POSITIVE SIDE OCCURS, LAMPS L1, L2 WILL DIM AND L3, L4 WILL INCREASE THEIR LUMINOSITY, WHEN PB IS DEPRESSED, THE LOWER THE RESISTANCE TO GROUND, THE MORE VISIBLE THE EFFECT. THE OPPOSITE WILL HAPPEN WHEN THE LEAKAGE IS FROM THE NEGATIVE SIDE TO GROUND.

**CONSTRUCTION:** SOLID STATE, EXCEPT A HIGH VOLTAGE VACUUM POWER RELAY FOR THE CONNECTION OF TERMINAL A2 TO GROUND, ENCLOSED IN A SEALED STEEL HOUSING, PLATED PER MIL-T-10727, TYPE I.

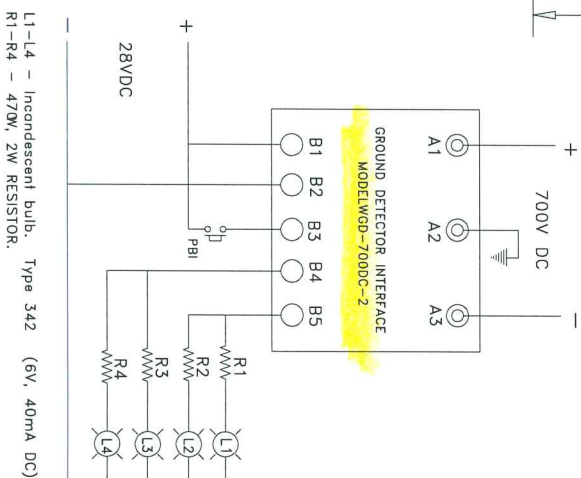
MACHINING STANDARDS, UNLESS OTHERWISE SPECIFIED		THIRD ANGLE PROJECTION
SURFACE FINISH: 63		UNLESS OTHERWISE SPECIFIED, DIMENSIONS ARE IN INCHES.
FEATURES: 125/EXTERNAL		TOLERANCES ARE:
INTERNAL		DECIMALS
INTERNAL R/CH .010 MAX		ANGLES ±1°
WORKMAN-SHIP		±1/64 .XXX = ±.005
IRON/STEEL		±.005
LIGHTLY COATED WITH CASTROL VS-4175 CORROSION INHIBITOR OR KILOVAC APPROVED EQUIVALENT		±.005
REV. DCD NO. B	EDITED BY RMAN	DATE 2001-01-03
REV. 12970		

ITEM	DWG. NO.	QTY.	NOMENCLATURE OR DESCRIPTION
------	----------	------	-----------------------------

BILL OF MATERIALS

**KILOVAC** Corp. P.O. Box 4422, Santa Barbara, CA 93140  
 Phone: (805)664-4560 Fax: (805)664-9679  
 E-Mail: info@kilovac.com Internet: http://www.kilovac.com

DWG. TITLE	GROUND DETECTOR INTERFACE		
SIZE	A	DWG. NO.	21-00-0900-00
CAGE CODE	18741	DO NOT SCALE DRAWING	SHEET 1 OF 1
SCALE	1:2		



L1-L4 - Incandescent bulb, Type 342 (6V, 40mA DC)  
 R1-R4 - 470W, 2W RESISTOR.

1618132-5