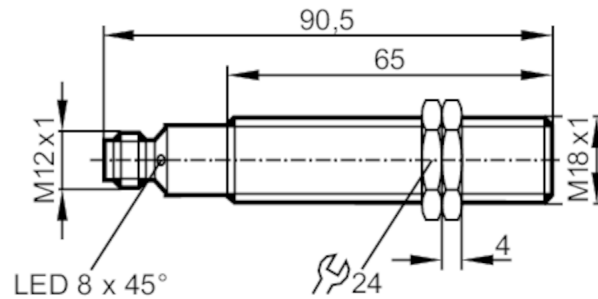


# GG507S



## Fail-safe inductive sensor

GIGA-4010-US



### Product characteristics

Output function		Clock signal
Enable zone	[mm]	1...4
Housing		Threaded type
Dimensions	[mm]	M18 x 1 / L = 90.5

### Application

System		gold-plated contacts
Type of operation		continuous operation (maintenance-free)
Safety-related function		safe state when undamped
Application		Industrial applications

### Electrical data

Operating voltage	[V]	19.2...30 DC
Current consumption	[mA]	< 15
Protection class		III
Reverse polarity protection		yes
Max. power-on delay time	[ms]	5000

### Inputs

Max. input capacitance Ci_max	[nF]	2
----------------------------------	------	---

### Outputs

Output function		Clock signal
Output data		Interface type B
Short-circuit protection		yes
Max. capacitive load CL_max	[nF]	20

### Monitoring range

Enable zone	[mm]	1...4
Safe switching-off distance s(ar)	[mm]	10

# GG507S



## Fail-safe inductive sensor

GIGA-4010-US

Reaction times			
Response time to safety request	[ms]	20	
Response time when approaching the enable zone	[ms]	200; (typical 100)	
Operating conditions			
Applications		Class C to EN 60654-1 weatherproof application	
Ambient temperature	[°C]	-25...70	
Note on ambient temperature		operational life ≤ 87600 h	
Ambient temperature	[°C]	10...40	
Note on ambient temperature		operational life ≤ 175200 h	
Rate of temperature change	[K/min]	0.5	
Max. relative air humidity	[%]	briefly: 5...95 %; permanent: 5...70 %	
Air pressure	[kPa]	80...106	
Ionizing radiation		not permissible	
Salt spray		no	
Protection		IP 68; IP 69K; (to EN 60529)	
Tests / approvals			
EMC		IEC 60947-5-2	
		IEC 60947-5-3	
		EN 61000-4-2 ESD	6 kV CD / 8 kV AD
		EN 61000-4-3 HF radiated	20 V/m
		EN 61000-4-4 Burst	2 kV
		EN 61000-4-6 HF conducted	10 V
		EN 61000-4-8	30 A/m
	EN 55011	class B	
Shock resistance		IEC 60947-5-2	
Vibration resistance		IEC 60947-5-2	
UL approval		Ta	-25...70 °C
		Enclosure type	Type 1
		voltage supply	Limited Voltage/Current
		File number UL	E174191
Safety classification			
ISO 13849-1		Category 3, PL e	
IEC 61508		SIL 3	
Mission time TM	[h]	≤ 175200	
Mission time TM (additional indication)		20 years	
Safety-related reliability PFHD	[1/h]	1E-08	
Mechanical data			
Weight	[g]	191	
Housing		Threaded type	
Mounting		flush mountable	
Dimensions	[mm]	M18 x 1 / L = 90.5	
Thread designation		M18 x 1	
Material		brass special coating; PBT	

# GG507S



## Fail-safe inductive sensor

GIGA-4010-US

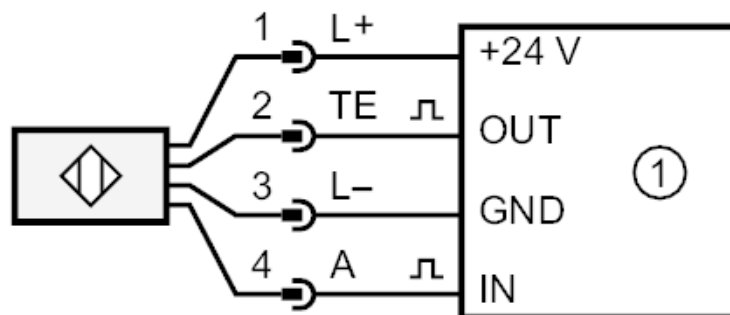
Displays / operating elements		
Display	Power	1 x LED, green
	signal	1 x LED, yellow
Accessories		
Items supplied	lock nuts: 2	
Remarks		
Remarks	Unless stated otherwise, all data refer to the reference target plate to IEC 60947-5-2 over the whole temperature range. (FE360 = ST37K) 24x24x1 mm	
Pack quantity	1 pcs.	

### Electrical connection - plug

Connector: 1 x M12; Contacts: gold-plated



### Connection



1 = Safety-related logic unit