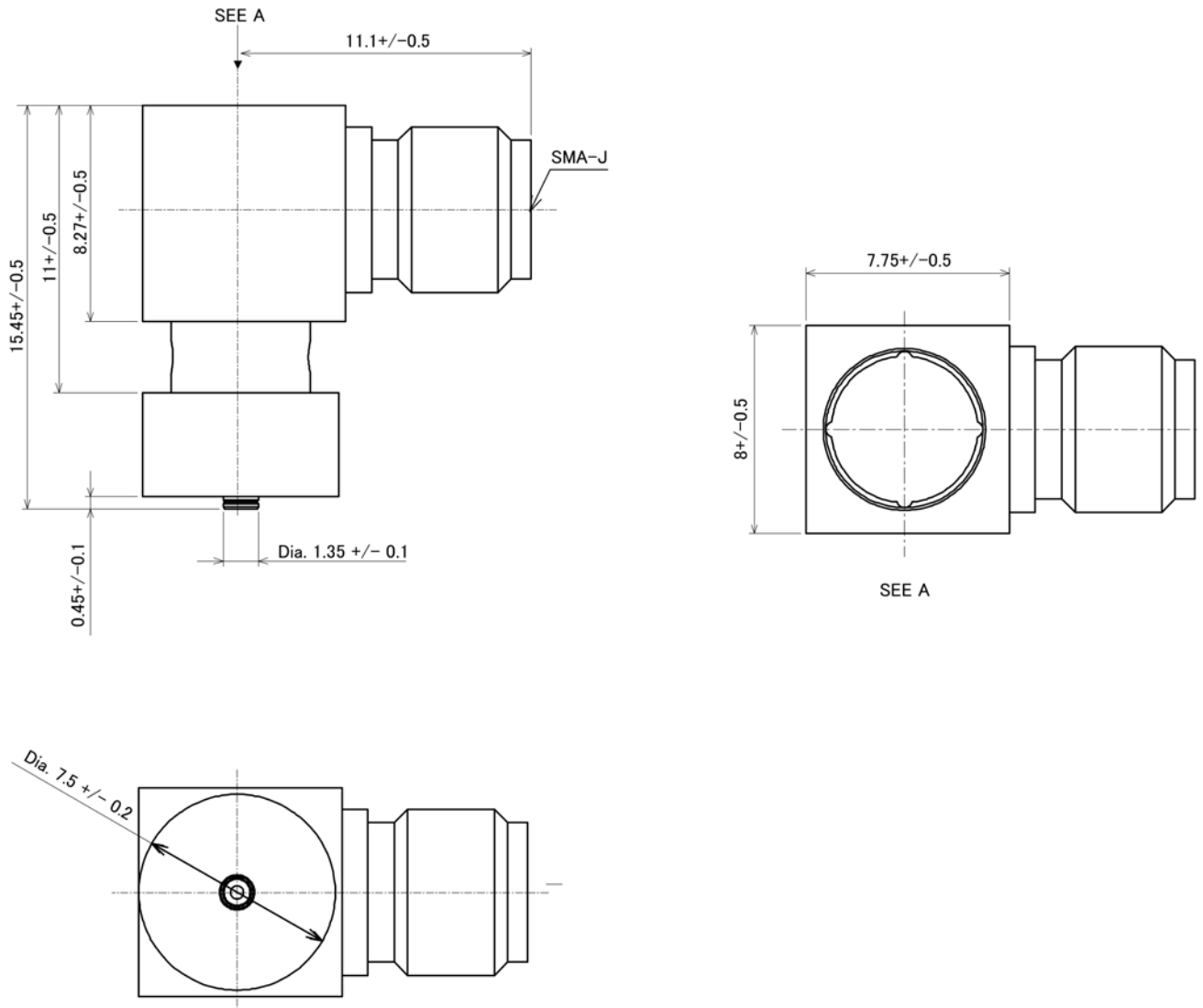


SPECIFICATION

1. MECHANICAL



RATING:

Item	Specification
Voltage Rating	250V r.m.s. maximum
Nominal Frequency Range	DC to 11GHz
Nominal Impedance	50Ω
Temperature Rating	-40°C to +85°C
Insulation Resistance	500 MΩ minimum
Withstanding Voltage	No evidence of breakdown
Initial Contact Resistance (without conductor resistance)	Center contact 70.0mΩmax. Outer contact 20.0mΩmax.
A> Voltage Standing Wave Ratio (V.S.W.R.)	Meet the requirements of following spec. 1.4max. (DC to 3GHz) 1.6max. (3GHz to 6GHz) 1.7max. (6GHz to 11GHz)
A> Insertion loss	0.2dB max. (DC to 3GHz) 0.3dB max. (3GHz to 6GHz) 0.4dB max. (6GHz to 11GHz)
A> Durability	1K cycles