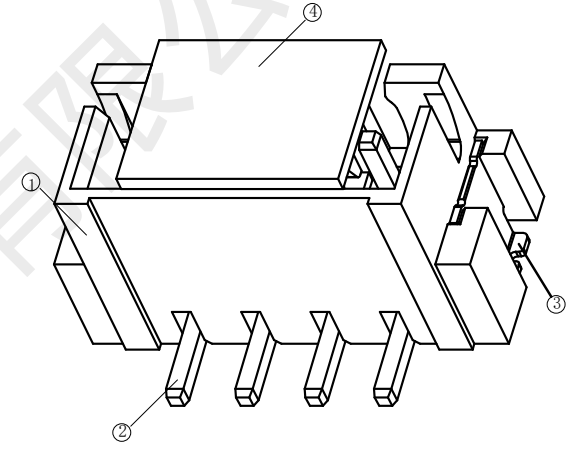
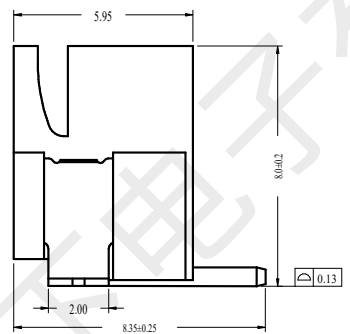
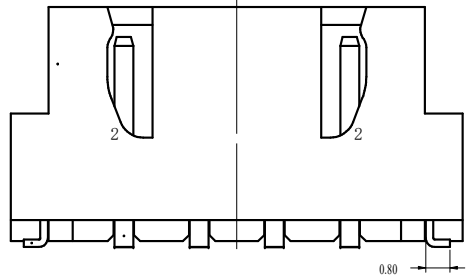
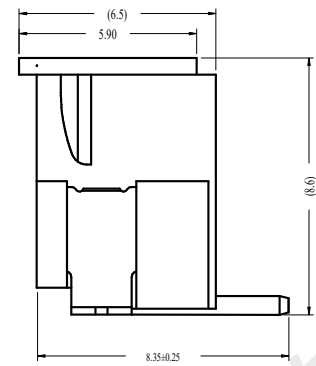
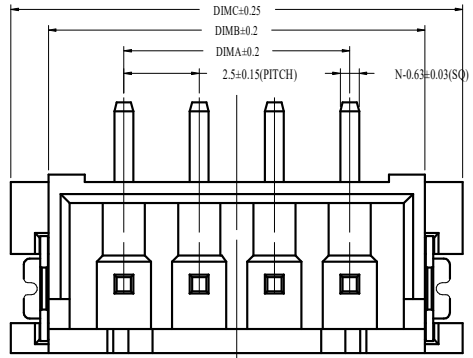
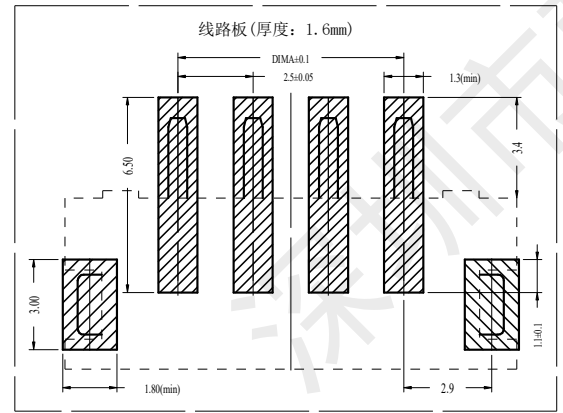


REV.	EC#	DESCRIPTION	DATE	DRAWN	CHECK	APPROVED
1.00		初版发行	2020-07-22			



Pin	DIM.A	DIM.B	DIM.C
15	35.00	40.00	42.50
14	32.50	37.50	40.00
13	30.00	35.00	37.50
12	27.50	32.50	35.00
11	25.00	30.00	32.50
10	22.50	27.50	30.00
9	20.00	25.00	27.50
8	17.50	22.50	25.00
7	15.00	20.00	22.50
6	12.50	17.50	20.00
5	10.00	15.00	17.50
4	7.50	12.50	15.00
3	5.00	10.00	12.50
2	2.50	7.50	10.00

- 工作温度: -25°C~85°C.
- 适用线规: AWG#26~#22.
- 额定电压: 250V DC/AC(rms).
- 额定电流: 3.0A.
- 接触电阻: ≤20m .
- 耐压值: 1000V AC/minute.
- 绝缘电阻: ≥1000M .



GENERAL TOLERANCES			
DIM	TOL	DIM	DEG
X.		X°	±3.00°
X.X	±0.35	X.X°	±2.00°
X.XX	±0.25	X.XX°	±1.00°
X.XXX	±0.15	X.XXX°	

4	Cap	1 PCS	材质:LCP (UL94V-0),颜色:本色或黑色
3	FITTING NAIL	2 PCS	材质:磷青铜,电镀:镀亮锡60u"MIN
2	PIN	n PCS	材质:黄铜,电镀:镀亮锡60u"MIN
1	Housing	1 PCS	材质:LCP (UL94V-0),颜色:本色或黑色
NO.	NAME	Q'TY	DESCRIPTION

韩下 HANXIA 深圳市韩下电子有限公司

DRAW :	黄彬	2020-07-22	TITLE:	针座	DRAW NAME:	HX 2.54mm-7P LT	
DESIGN:			SERIES:	2021 SERIES	DRAW NO.:		
CHECK:	张伟	2020-07-22	P/N:		UNIT:	SHEET:	
APPROVED	罗小春	2020-07-22	REV. 1.00	SCALE N/A	mm	1/1	
CUSTOMER DRAWING							