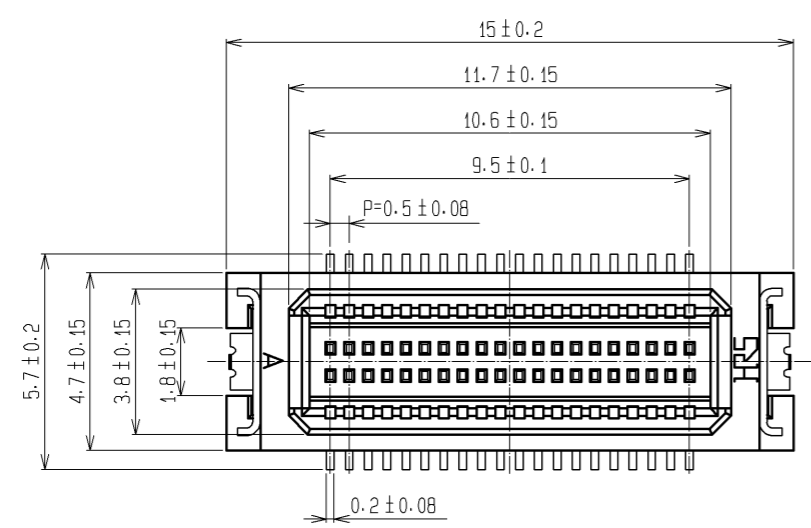
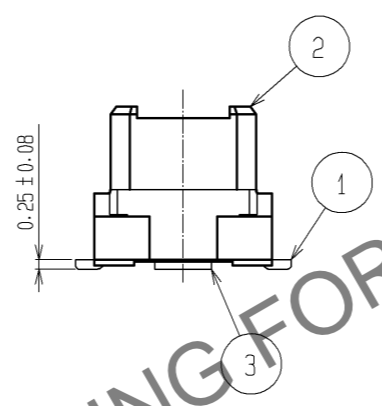
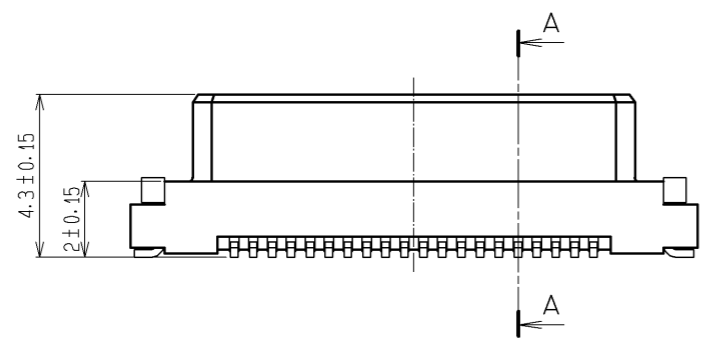
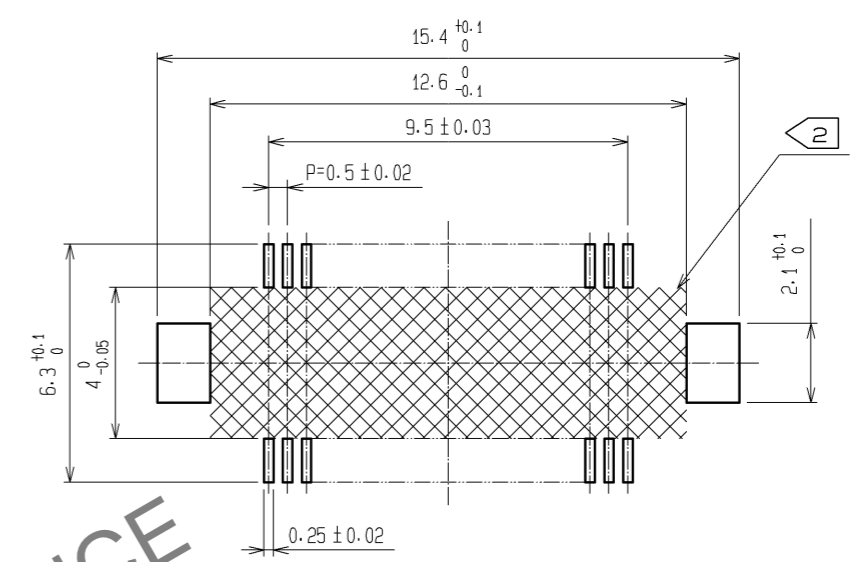


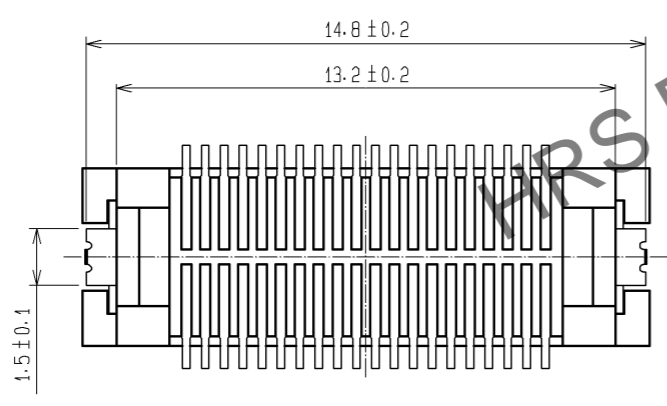
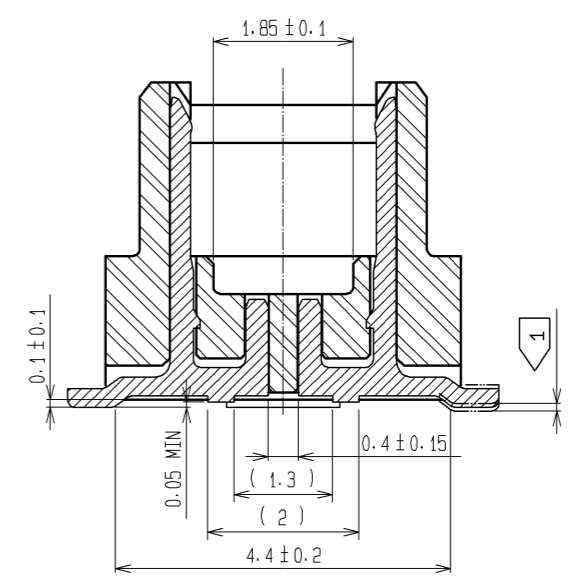
Jul.1.2024 Copyright 2024 HIROSE ELECTRIC CO., LTD. All Rights Reserved.
 In case of consideration for using Automotive equipment / device which demand high reliability, kindly contact our sales window correspondents.



RECOMMENDED PATTERN

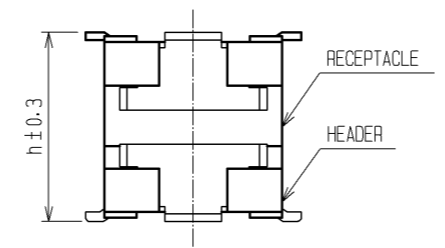


A-A(10:1)



- NOTES
- ① LEAD CO-PLANARITY INCLUDE REINFORCED METAL FITTINGS SHALL BE 0.1mm MAX .
 - ② WHEN A PART MARKED WITH HAS A PATTERN BUT NO RESIST ON IT. TAKE CARE TO PREVENT THE CONNECTOR FROM TOUCHING IT.

MATED HIGHT (h)		(mm)	
HEADER NO.	RECEPTACLE NO.	DF17#(3.0)-40DS-0.5V(57)	DF17#(4.0)-40DS-0.5V(57)
DF17B(2.0)-40DP-0.5V(57)	5	5	6

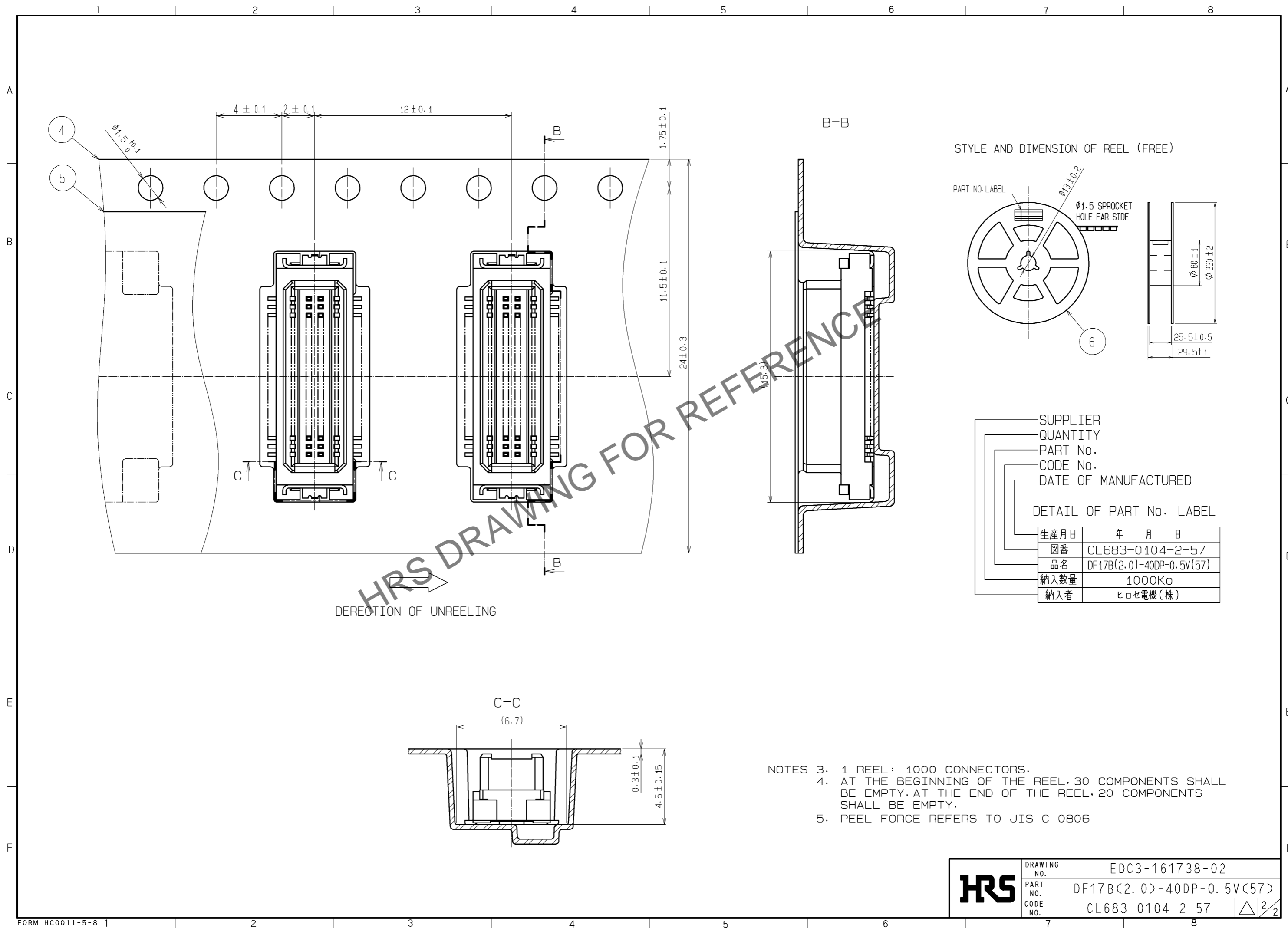


NO.	MATERIAL	FINISH . REMARKS	NO.	MATERIAL	FINISH . REMARKS
2	POLYAMIDE (PA6T)	WHITE BEIGE . UL94V-0	6	PS	PLASTIC REEL . BLACK
1	PHOSPHER BRONZE	CONTACT AREA:GOLD PLATED 0.1#m min	5	POLYESTER	CLEAR (COVER TAPE)
		LEAD AREA:TIN PLATED 1#m min UNDER PLATING:NICKEL PLATED 1#m min	4	A-PET	CLEAR(EMBOSSD CARRIER TAPE)
			3	PHOSPHER BRONZE	TIN PLATED : 1#m min UNDER PLATING:NICKEL PLATED 1#m min

UNITS	SCALE	COUNT	DESCRIPTION OF REVISIONS	DESIGNED	CHECKED	DATE
mm	5 : 1	△	APPROVED : KH. IKEDA 08.09.16			
			CHECED : TS. MIYAZAKI 08.09.16			
			DESIGNED : TY. YAMASAKI 08.08.19			
			DRAWN : TY. YAMASAKI 08.08.19			

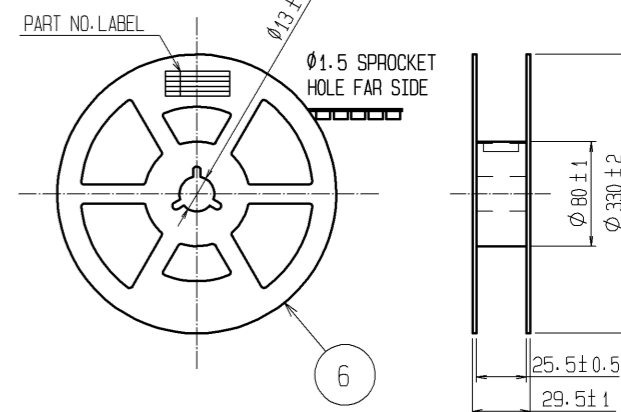
DRAWING NO.	PART NO.	CODE NO.
EDC3-161738-02	DF17B(2.0)-40DP-0.5V(57)	CL683-0104-2-57

Jul.1.2024 Copyright 2024 HIROSE ELECTRIC CO., LTD. All Rights Reserved.
 In case of consideration for using Automotive equipment / device which demand high reliability, kindly contact our sales window correspondents.



DERECTION OF UNREELING

STYLE AND DIMENSION OF REEL (FREE)



SUPPLIER
 QUANTITY
 PART No.
 CODE No.
 DATE OF MANUFACTURED

DETAIL OF PART No. LABEL

生産月日	年 月 日
図番	CL683-0104-2-57
品名	DF17B(2.0)-40DP-0.5V(57)
納入数量	1000ko
納入者	ヒロセ電機(株)

- NOTES
- 1 REEL : 1000 CONNECTORS.
 - AT THE BEGINNING OF THE REEL, 30 COMPONENTS SHALL BE EMPTY. AT THE END OF THE REEL, 20 COMPONENTS SHALL BE EMPTY.
 - PEEL FORCE REFERS TO JIS C 0806

HRS	DRAWING NO.	EDC3-161738-02
	PART NO.	DF17B(2.0)-40DP-0.5V(57)
	CODE NO.	CL683-0104-2-57
		\triangle 2/2