

**DESIGNED & DIMENSIONED
IN MILLIMETERS [INCHES]**

DO NOT
SCALE FROM
THIS PRINT

RPBU-XX-X-B-XX-XX

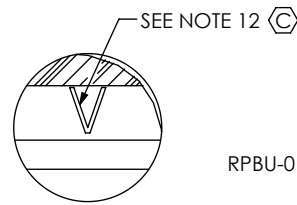
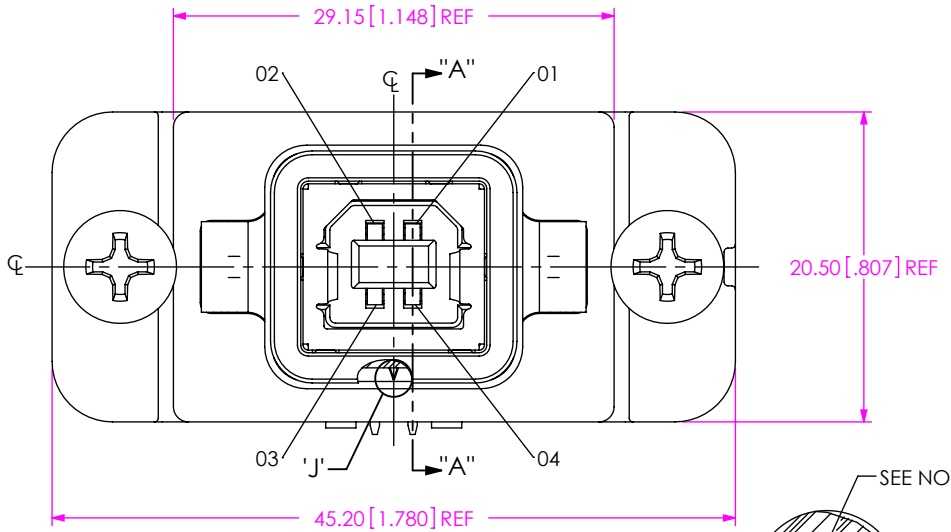
No OF POSITIONS
-01

OPTION
-LC: LOCKING CLIP
(AVAILABLE ON -VT ONLY)

PLATING SPECIFICATION
-S: SELECTIVE, .000030 GOLD
ON POST, TIN ON TAIL

TERMINATION
-RA: RIGHT ANGLE (SHEET 1, FIG 1)
-VT: VERTICAL THROUGH HOLE
(SHEET 2, FIG 2)

TYPE
-B



DETAIL 'J'
SCALE 8 : 1

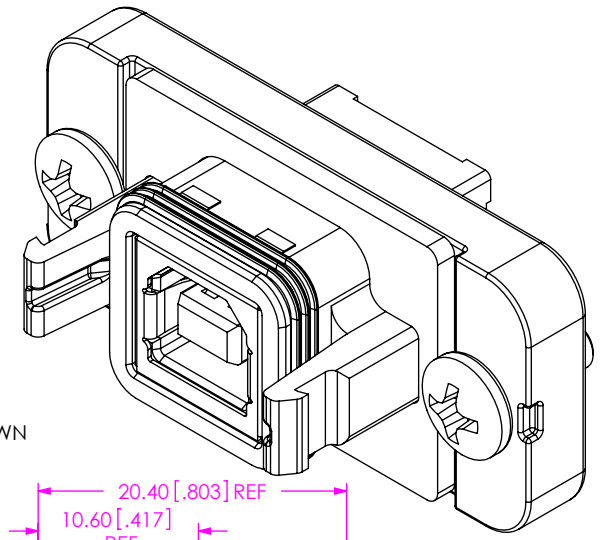
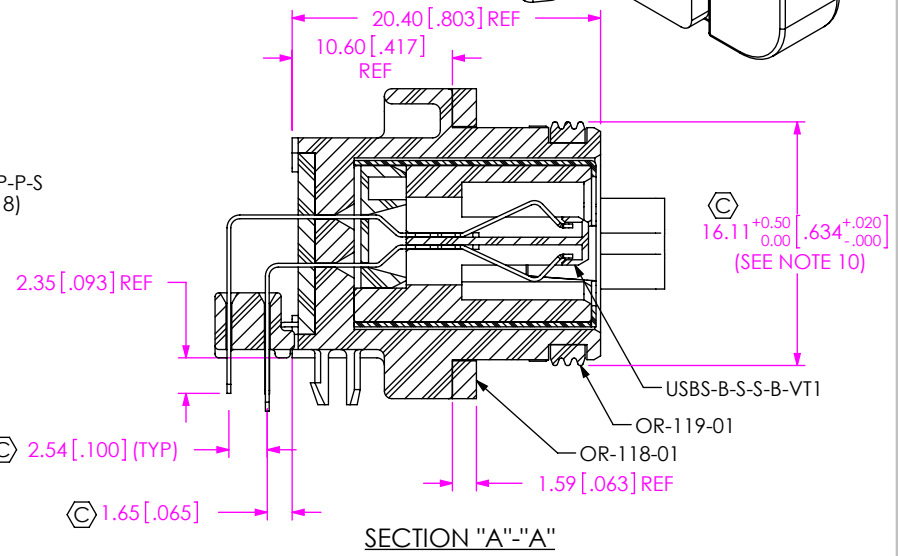
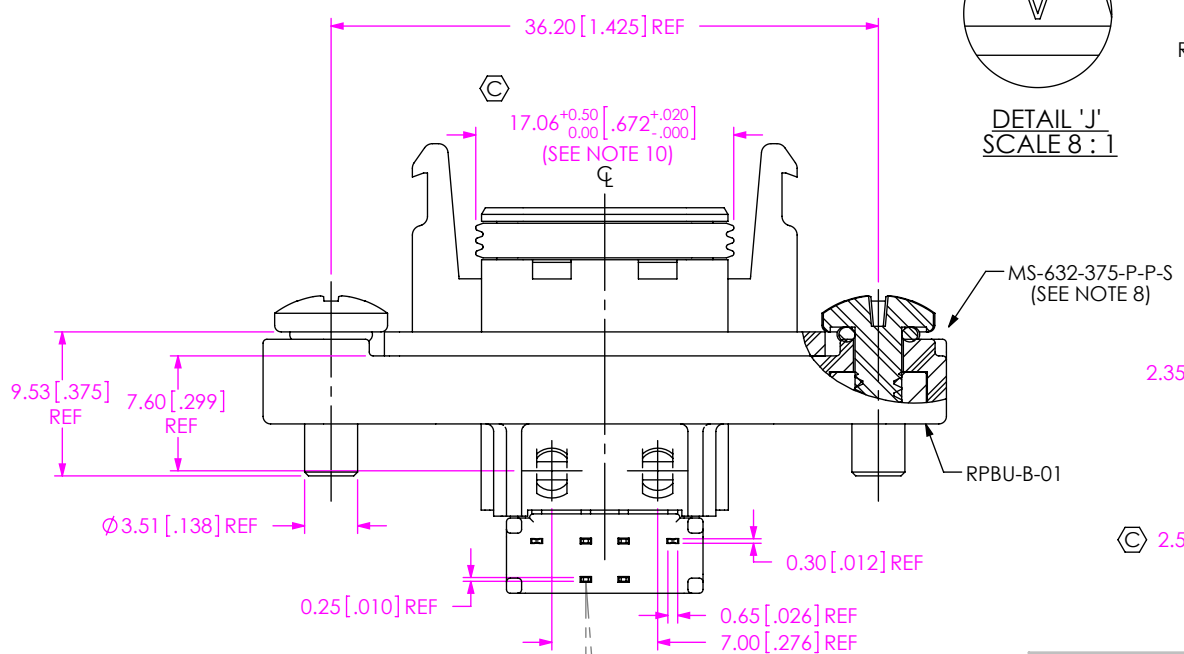


FIG 1
RPBU-01-X-B-RA SHOWN



SECTION "A"-A

NOTES:

- ① REPRESENTS A CRITICAL DIMENSION.
- BURR ALLOWANCE: 0.038[.0015] MAX.
- MINIMUM PUSHOUT FORCE: 4.4N[1.00 LB].
- MAXIMUM ALLOWABLE BOW: 0.05[.002] MM/MM AFTER ASSEMBLY.
- PANEL THICKNESS: 0.76[.030] - 3.96[.156], RECOMMENDED PANEL CUT OUT ON SHEET 2.
- REQUIRED TORQUE ON MS-632-375-P-P-S: .35±.07 Nm [50±10 IN-OZ].
- ALL PARTS MUST BE PACKAGED IN TUBES.
- SEAL O-RING IS INCLUDED IN THE MS-632-375-P-P-S.
- EPOXY MUST BE FLUSH OR BELOW EDGE OF CAVITY. NO VOIDS IN EPOXY ALLOWED.
- MEASURE O-RING IN THE CENTER OF THE PART.
- PARTS TO BE OVEN CURED, AFTER THE EPOXY IS FILLED, AT 200°C FOR 10 MINUTES.
- OR-119-XX POSITION INDICATOR.

2° MAX SWAY
(EITHER DIRECTION)

UNLESS OTHERWISE SPECIFIED,
DIMENSIONS ARE IN
MILLIMETERS [INCHES].
TOLERANCES ARE:
DECIMALS ANGLES
X.X: ±0.3 [0.1] 2°
X.XX: ±0.13 [0.05]
X.XXX: ±0.051 [0.020]

PROPRIETARY NOTE
THIS DOCUMENT CONTAINS CONFIDENTIAL AND
PROPRIETARY INFORMATION AND ALL DESIGN,
MANUFACTURING, REPRODUCTION, USE, PATENT RIGHTS
AND SALES RIGHTS ARE EXPRESSLY RESERVED BY SAMTEC,
INC. THIS DOCUMENT SHALL NOT BE DISCLOSED, IN WHOLE
OR PART, TO ANY UNAUTHORIZED PERSON OR ENTITY NOR
REPRODUCED, TRANSFERRED OR INCORPORATED IN ANY
OTHER PROJECT IN ANY MANNER WITHOUT THE EXPRESS
WRITTEN CONSENT OF SAMTEC, INC.

MATERIAL: DO NOT SCALE DRAWING SHEET SCALE: 2:1
INSULATOR: LCP UL94V0, COLOR: BLACK
CONTACT: PHOS BRONZE
SHIELD: PHOS BRONZE
SEAL: SILICON
SCREW: STAINLESS STEEL
NUT: STAINLESS STEEL



520 PARK EAST BLVD., NEW ALBANY, IN 47150
PHONE: 812-944-6733 FAX: 812-948-5047
e-Mail: info@SAMTEC.com code 53322

DESCRIPTION:
RECTANGULAR PANEL BOARD MOUNT USB-B

DWG. NO. RPBU-XX-X-B-XX-XX

BY: VICKY Z 03/29/2010 SHEET 1 OF 6

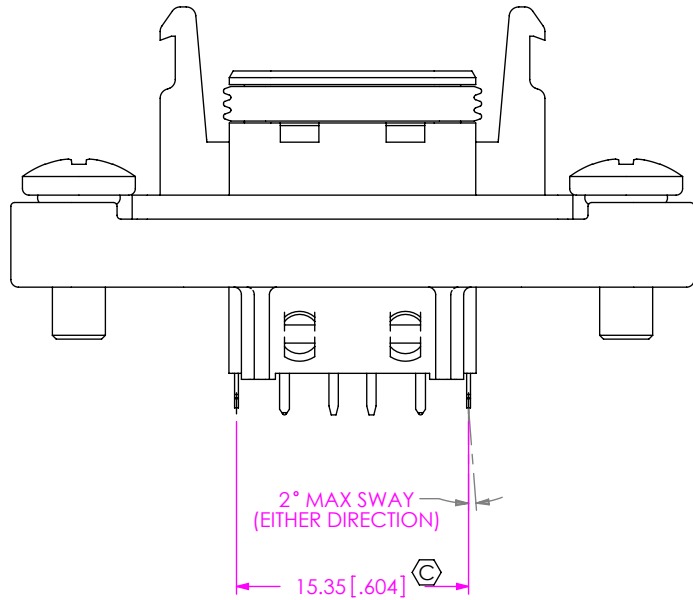
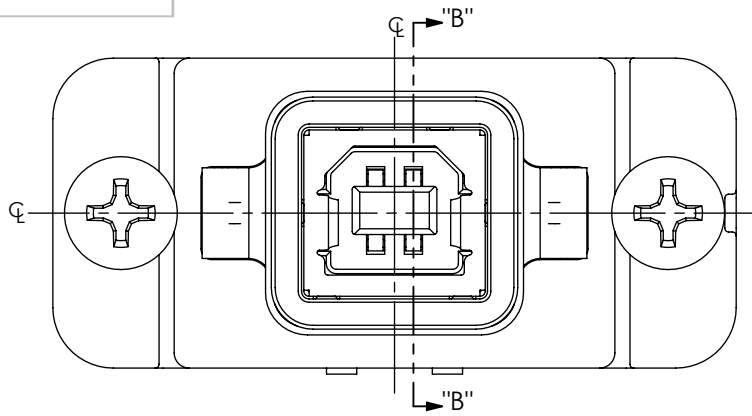
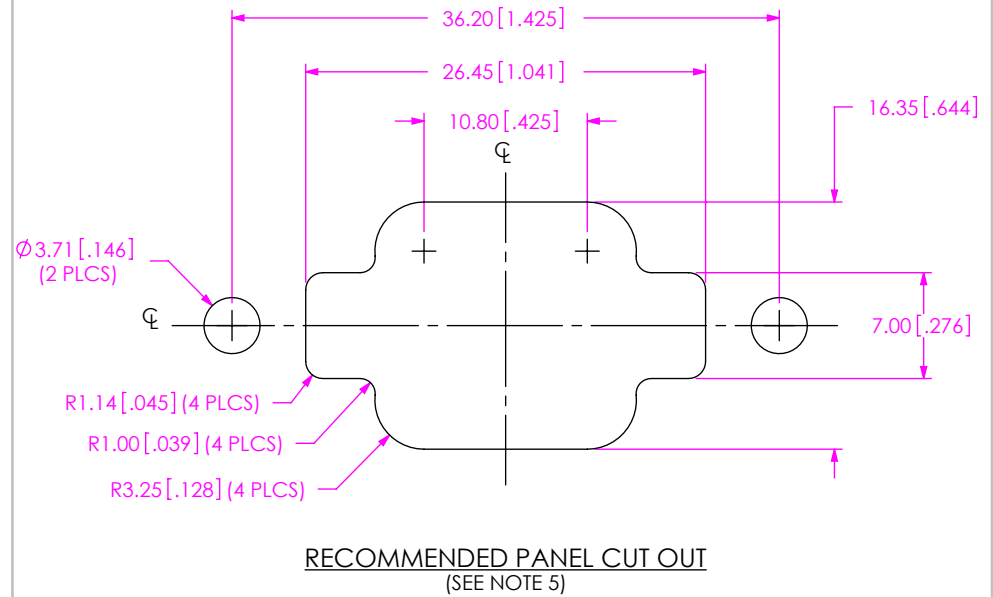
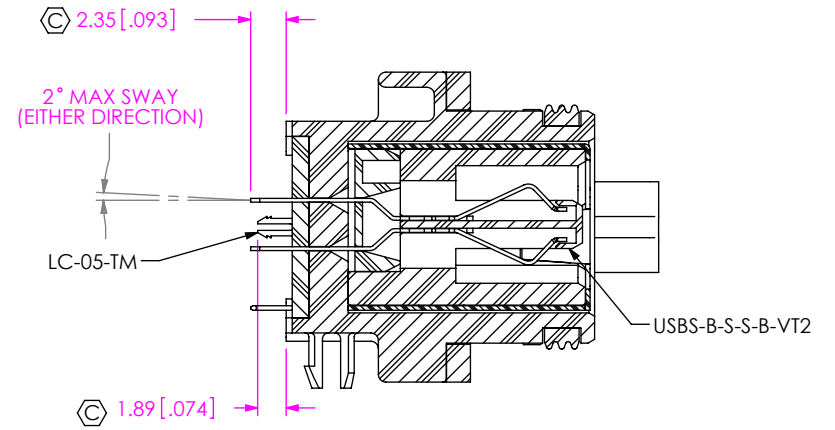


FIG 2
RPBU-01-X-B-VT-LC SHOWN
(SAME AS FIG 1, EXCEPT AS SHOWN)



RECOMMENDED PANEL CUT OUT
(SEE NOTE 5)

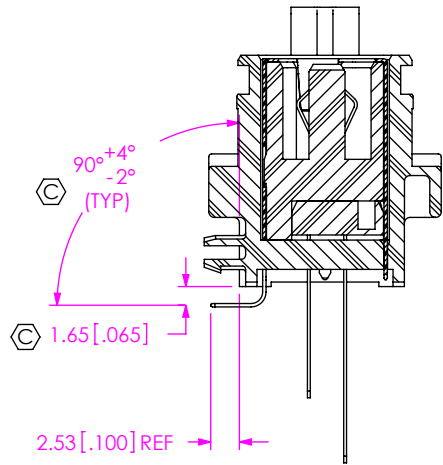
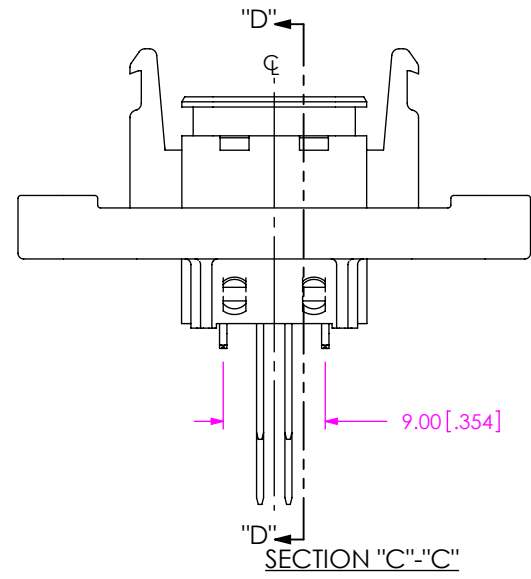
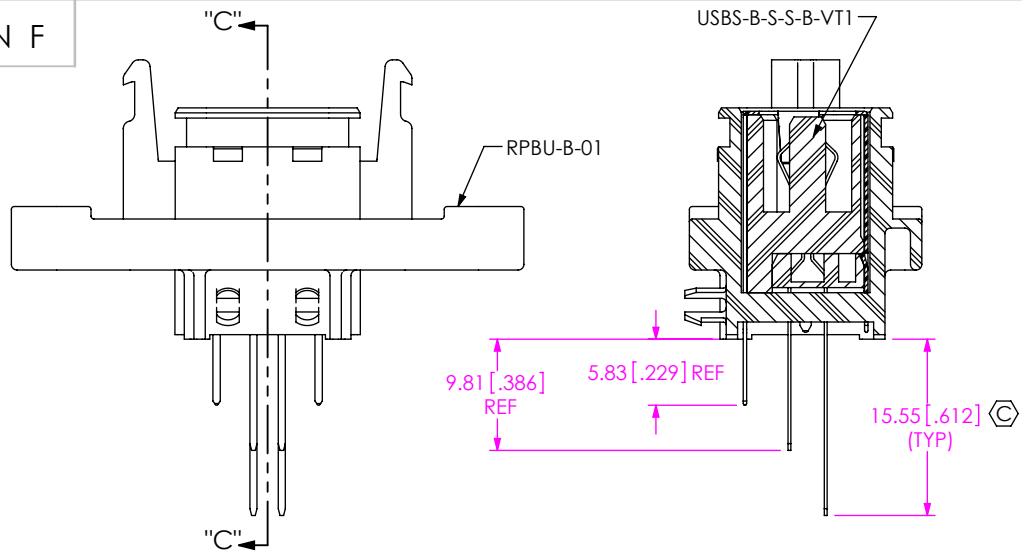
PROPRIETARY NOTE
THIS DOCUMENT CONTAINS CONFIDENTIAL AND PROPRIETARY INFORMATION AND ALL DESIGN, MANUFACTURING, REPRODUCTION, USE, PATENT RIGHTS AND SALES RIGHTS ARE EXPRESSLY RESERVED BY SAMTEC, INC. THIS DOCUMENT SHALL NOT BE DISCLOSED, IN WHOLE OR PART, TO ANY UNAUTHORIZED PERSON OR ENTITY NOR REPRODUCED, TRANSFERRED OR INCORPORATED IN ANY OTHER PROJECT IN ANY MANNER WITHOUT THE EXPRESS WRITTEN CONSENT OF SAMTEC, INC.

DO NOT SCALE DRAWING
SHEET SCALE: 2:1

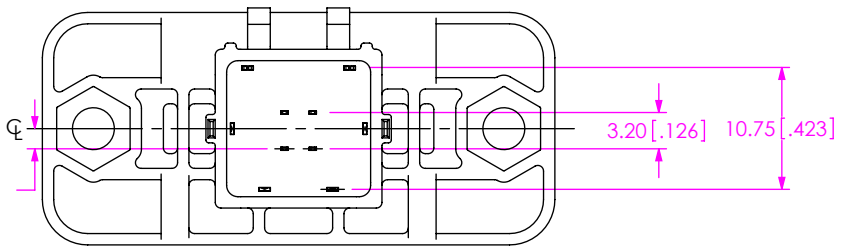


520 PARK EAST BLVD, NEW ALBANY, IN 47150
PHONE: 812-944-6733 FAX: 812-948-5047
e-Mail info@SAMTEC.com code 55322

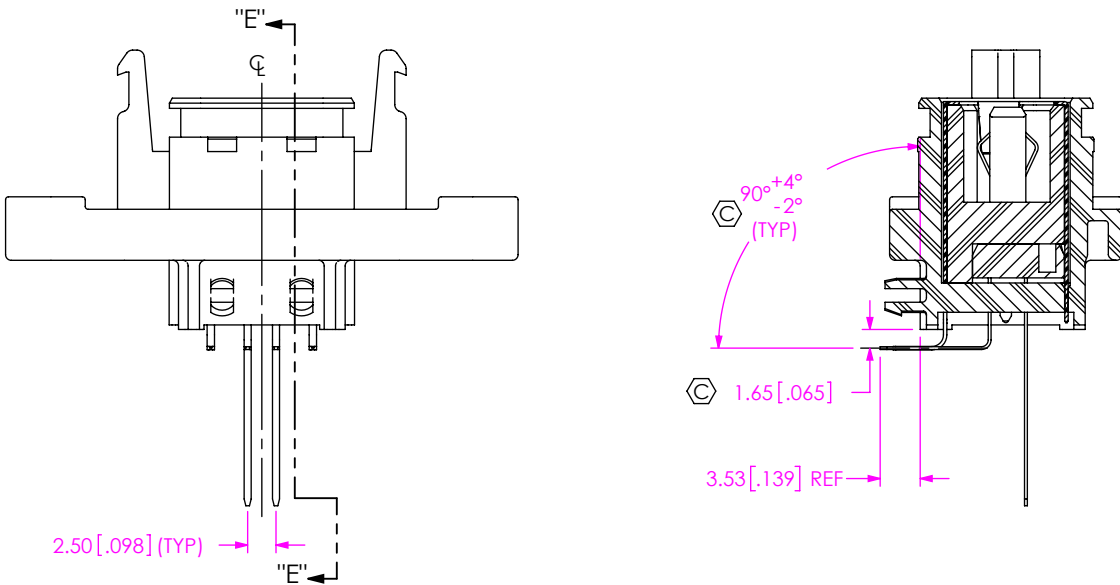
DESCRIPTION:
RECTANGULAR PANEL BOARD MOUNT USB-B
DWG. NO. **RPBU-XX-X-B-XX-XX**
BY: VICKY Z 03/29/2010 SHEET 2 OF 6



-RA: IN-PROCESS 2
FORM SHIELD TAILS ON USB-B-S-S-B-VT1



-RA: IN-PROCESS 1
FILL USB-B-S-S-B-VT1



-RA: IN-PROCESS 3
FORM 1ST ROW CONTACTS

PROPRIETARY NOTE

THIS DOCUMENT CONTAINS CONFIDENTIAL AND PROPRIETARY INFORMATION AND ALL DESIGN, MANUFACTURING, REPRODUCTION, USE, PATENT RIGHTS AND SALES RIGHTS ARE EXPRESSLY RESERVED BY SAMTEC, INC. THIS DOCUMENT SHALL NOT BE DISCLOSED, IN WHOLE OR PART, TO ANY UNAUTHORIZED PERSON OR ENTITY NOR REPRODUCED, TRANSFERRED OR INCORPORATED IN ANY OTHER PROJECT IN ANY MANNER WITHOUT THE EXPRESS WRITTEN CONSENT OF SAMTEC, INC.

DO NOT SCALE DRAWING

SHEET SCALE: 3:2

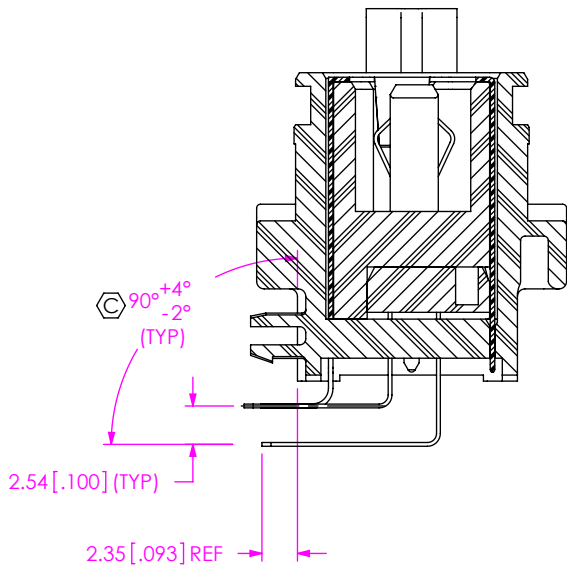
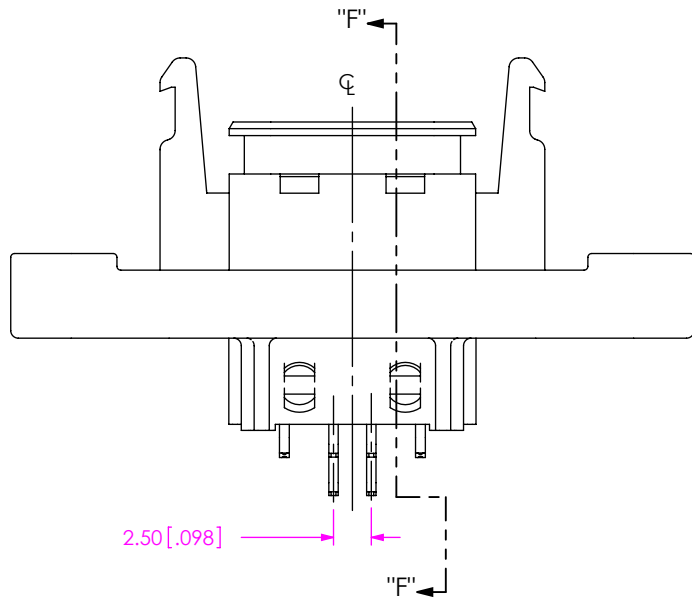


520 PARK EAST BLVD, NEW ALBANY, IN 47150
PHONE: 812-944-6733 FAX: 812-948-5047
e-Mail: info@SAMTEC.com code 55322

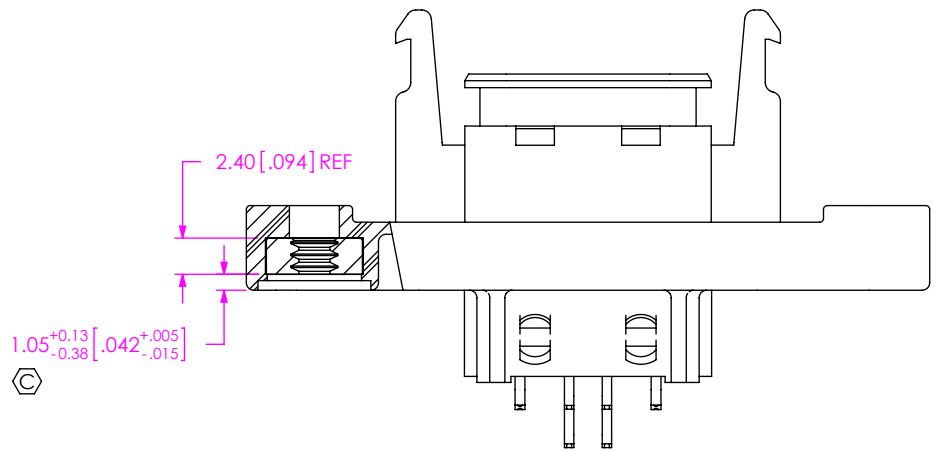
DESCRIPTION:
RECTANGULAR PANEL BOARD MOUNT USB-B

DWG. NO. RPBU-XX-X-B-XX-XX

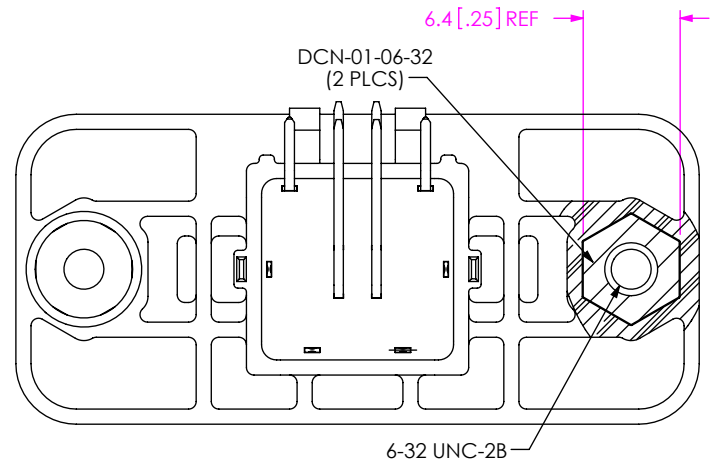
BY: VICKY Z 03/29/2010 SHEET 3 OF 6



-RA: IN-PROCESS 4
FORM 2ND ROW CONTACTS



SECTION "F"-"F"



-RA: IN-PROCESS 5
FILL DCN-01-06-32 & HEAT STAKE

PROPRIETARY NOTE
THIS DOCUMENT CONTAINS CONFIDENTIAL AND PROPRIETARY INFORMATION AND ALL DESIGN, MANUFACTURING, REPRODUCTION, USE, PATENT RIGHTS AND SALES RIGHTS ARE EXPRESSLY RESERVED BY SAMTEC, INC. THIS DOCUMENT SHALL NOT BE DISCLOSED, IN WHOLE OR PART, TO ANY UNAUTHORIZED PERSON OR ENTITY NOR REPRODUCED, TRANSFERRED OR INCORPORATED IN ANY OTHER PROJECT IN ANY MANNER WITHOUT THE EXPRESS WRITTEN CONSENT OF SAMTEC, INC.

DO NOT SCALE DRAWING

SHEET SCALE: 2:1

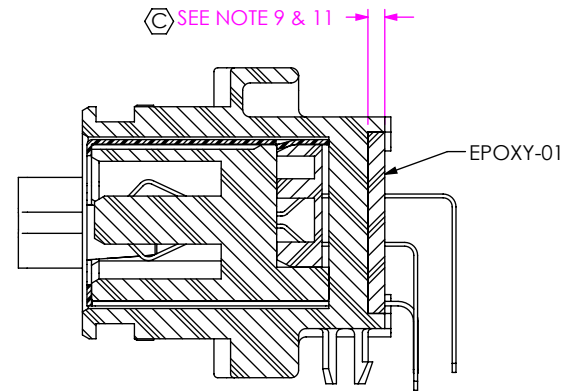
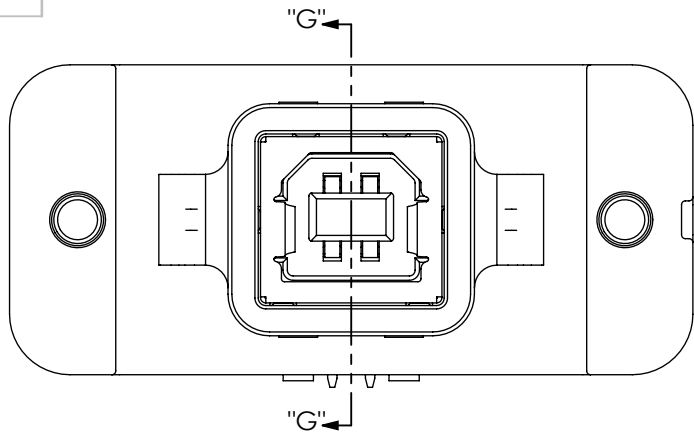


520 PARK EAST BLVD, NEW ALBANY, IN 47150
PHONE: 812-944-6733 FAX: 812-948-5047
e-Mail info@SAMTEC.com code 55322

DESCRIPTION:
RECTANGULAR PANEL BOARD MOUNT USB-B

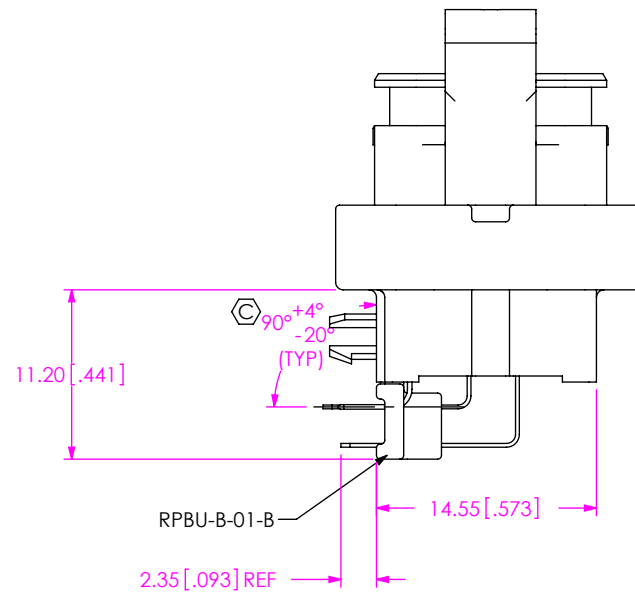
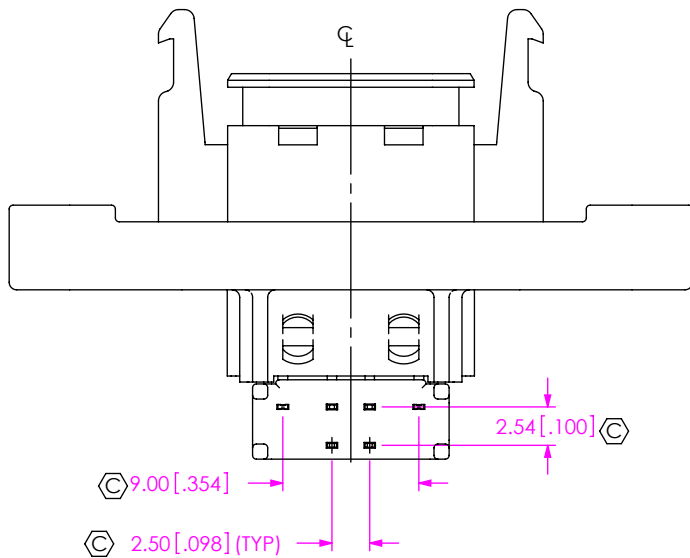
DWG. NO. RPBU-XX-X-B-XX-XX

BY: VICKY Z 03/29/2010 SHEET 4 OF 6



SECTION "G"

-RA: IN-PROCESS 6
FILL EPOXY-01



-RA: IN-PROCESS 7
ADD RPBU-B-XX-B

PROPRIETARY NOTE
THIS DOCUMENT CONTAINS CONFIDENTIAL AND PROPRIETARY INFORMATION AND ALL DESIGN, MANUFACTURING, REPRODUCTION, USE, PATENT RIGHTS AND SALES RIGHTS ARE EXPRESSLY RESERVED BY SAMTEC, INC. THIS DOCUMENT SHALL NOT BE DISCLOSED, IN WHOLE OR PART, TO ANY UNAUTHORIZED PERSON OR ENTITY NOR REPRODUCED, TRANSFERRED OR INCORPORATED IN ANY OTHER PROJECT IN ANY MANNER WITHOUT THE EXPRESS WRITTEN CONSENT OF SAMTEC, INC.

DO NOT SCALE DRAWING

SHEET SCALE: 2:1

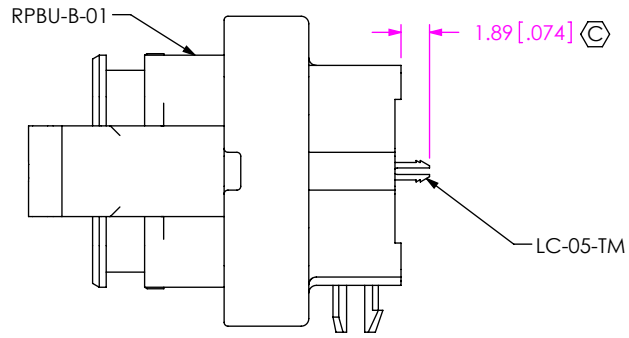
samtec

520 PARK EAST BLVD, NEW ALBANY, IN 47150
PHONE: 812-944-6733 FAX: 812-948-5047
e-Mail info@SAMTEC.com code 55322

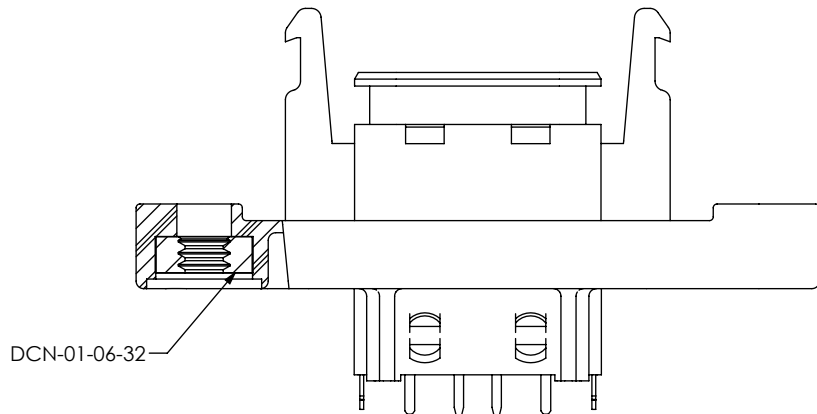
DESCRIPTION:
RECTANGULAR PANEL BOARD MOUNT USB-B

DWG. NO. **RPBU-XX-X-B-XX-XX**

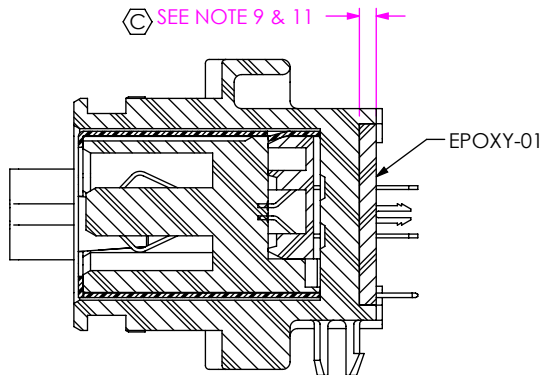
BY: VICKY Z 03/29/2010 SHEET 5 OF 6



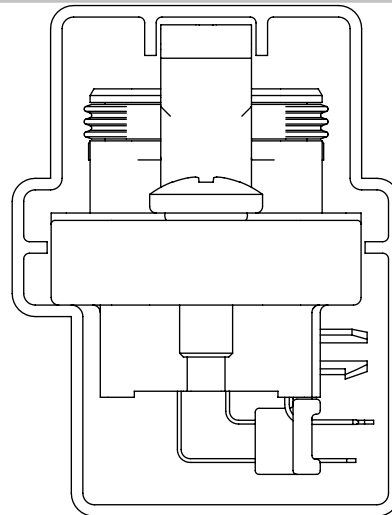
-VT: IN-PROCESS 1
FILL LC-05-TM



-VT: IN-PROCESS 3
FILL DCN-01-06-32 & HEAT STAKE
(SAME AS -RA: IN-PROCESS 5, EXCEPT AS SHOWN)



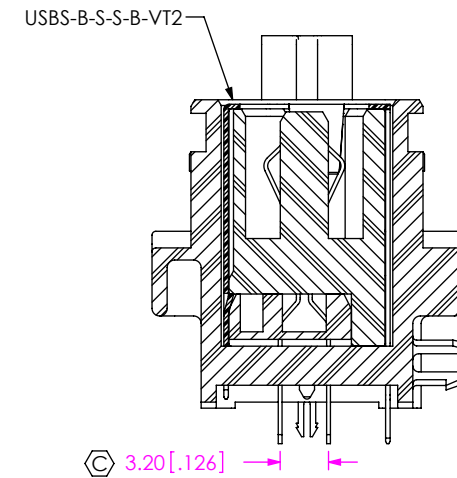
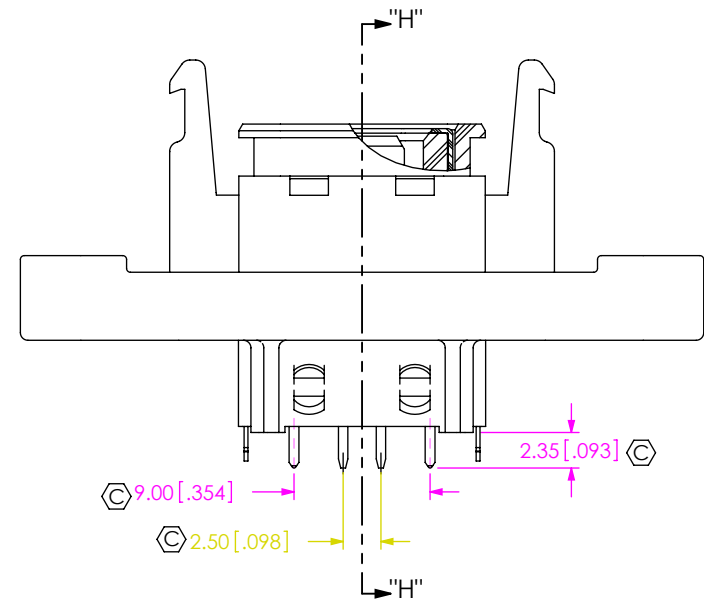
-VT: IN-PROCESS 4
FILL EPOXY-01
(SAME AS -RA: IN-PROCESS 6, EXCEPT AS SHOWN)



PACKAGING VIEW
(SEE NOTE 7)

TUBE: PT-RPBU002
PLUG: TP-50

F:\DWG\MISC\MKTG\RPBU-XX-X-B-XX-XX-MKT.SLDDRW



-VT: IN-PROCESS 2
FILL USB-B-S-S-B-VT2
(SAME AS -RA: IN-PROCESS 1, EXCEPT AS SHOWN)

PROPRIETARY NOTE
THIS DOCUMENT CONTAINS CONFIDENTIAL AND PROPRIETARY INFORMATION AND ALL DESIGN, MANUFACTURING, REPRODUCTION, USE, PATENT RIGHTS AND SALES RIGHTS ARE EXPRESSLY RESERVED BY SAMTEC, INC. THIS DOCUMENT SHALL NOT BE DISCLOSED, IN WHOLE OR PART, TO ANY UNAUTHORIZED PERSON OR ENTITY NOR REPRODUCED, TRANSFERRED OR INCORPORATED IN ANY OTHER PROJECT IN ANY MANNER WITHOUT THE EXPRESS WRITTEN CONSENT OF SAMTEC, INC.

DO NOT SCALE DRAWING

SHEET SCALE: 2:1



520 PARK EAST BLVD. NEW ALBANY, IN 47150
PHONE: 812-944-6733 FAX: 812-948-5047
e-Mail info@SAMTEC.com code 55322

DESCRIPTION:
RECTANGULAR PANEL BOARD MOUNT USB-B

DWG. NO. **RPBU-XX-X-B-XX-XX**

BY: VICKY Z 03/29/2010 SHEET 6 OF 6