

## NC7ST00 TinyLogic™ HST 2-Input NAND Gate

### General Description

The NC7ST00 is a single 2-Input high performance CMOS NAND Gate, with TTL-compatible inputs. Advanced Silicon Gate CMOS fabrication assures high speed and low power circuit operation. ESD protection diodes inherently guard both inputs and output with respect to the  $V_{CC}$  and GND rails. High gain circuitry offers high noise immunity and reduced sensitivity to input edge rate. The TTL-compatible inputs facilitate TTL to NMOS/CMOS interfacing. Device

performance is similar to MM74HCT but with 1/2 the output current drive of HC/HCT.

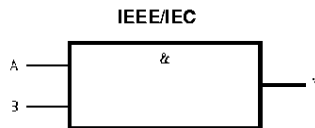
### Features

- Space saving SOT23 or SC70 5-lead package
- High Speed;  $t_{PD} < 7$  ns typ,  $V_{CC} = 5V$ ,  $C_L = 15$  pF
- Low Quiescent Power;  $I_{CC} < 1$   $\mu A$  typ,  $V_{CC} = 5.5V$
- Balanced Output Drive: 2 mA IOL, -2 mA IOH
- TTL-compatible inputs

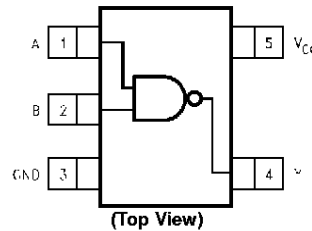
### Ordering Code:

Order Number	Package Number	Package Top Mark	Package Description	Supplied As
NC7ST00M5	MA05B	8S00	5-Lead SOT23, JEDEC MO-178, 1.6mm	250 Units on Tape and Reel
NC7ST00M5X	MA05B	8S00	5-Lead SOT23, JEDEC MO-178, 1.6mm	3k Units on Tape and Reel
NC7ST00P5	MAA05A	T00	5-Lead SC70, EIAJ SC-88a, 1.25mm Wide	250 Units on Tape and Reel
NC7ST00P5X	MAA05A	T00	5-Lead SC70, EIAJ SC-88a, 1.25mm Wide	3k Units on Tape and Reel

### Logic Symbol



### Connection Diagram



### Pin Descriptions

Pin Names	Description
A, B	Inputs
Y	Output

### Function Table

$Y = \overline{AB}$

Inputs		Output
A	B	Y
L	L	H
L	H	H
H	L	H
H	H	L

H = HIGH Logic Level  
L = LOW Logic Level

TinyLogic™ is a trademark of Fairchild Semiconductor Corporation

<b>Absolute Maximum Ratings</b> (Note 1)		Power Dissipation ( $P_D$ ) @ +85°C	
Supply Voltage ( $V_{CC}$ )	-0.5V to +7.0V	SOT23-5	200 mW
DC Input Diode Current ( $I_{IK}$ )		SC70-5	150 mW
$V_{IN} < -0.5V$	-20 mA	<b>Recommended Operating Conditions</b>	
$V_{IN} \geq V_{CC} + 0.5V$	+20 mA	Supply Voltage	4.5V-5.5V
DC Input Voltage $V_{IN}$	-0.5V to $V_{CC} + 0.5V$	Input Voltage ( $V_{IN}$ )	0.0V- $V_{CC}$
DC Output Diode Current ( $I_{OK}$ )		Output Voltage ( $V_{OUT}$ )	0V- $V_{CC}$
$V_{OUT} < -0.5V$	-20 mA	Operating Temperature ( $T_A$ )	-40°C to +85°C
$V_{OUT} > V_{CC} + 0.5V$	+20 mA	Input Rise and Fall Time ( $t_r, t_f$ )	
Output Voltage ( $V_{OUT}$ )	-0.5V to $V_{CC} + 0.5V$	$V_{CC} = 5.0V$	0-500 ns
DC Output Source or Sink Current ( $I_{OUT}$ )	$\pm 12.5$ mA	Thermal Resistance ( $\theta_{JA}$ )	
DC $V_{CC}$ or Ground Current per Supply Pin ( $I_{CC}$ or $I_{GND}$ )	$\pm 25$ mA	SOT23-5	300°C/W
Storage Temperature ( $T_{STG}$ )	-65°C to +150°C	SC70-5	425°C/W
Junction Temperature ( $T_J$ )	150°C	<b>Note 1:</b> Absolute Maximum Ratings are those values beyond which damage to the device may occur. The databook specifications should be met without exception to ensure that the design is reliable over its power supply temperature and output/input loading variables. Fairchild does not recommend operation of circuits outside the databook specifications.	
Lead Temperature ( $T_L$ ); (Soldering, 10 seconds)	260°C		

**DC Electrical Characteristics**

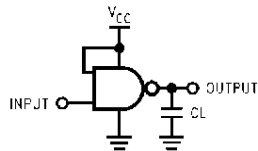
Symbol	Parameter	$V_{CC}$ (V)	$T_A = +25^\circ C$			$T_A = -40^\circ C$ to $+85^\circ C$		Units	Conditions
			Min	Typ	Max	Min	Max		
$V_{IH}$	HIGH Level Input Voltage	4.5-5.5	2.0			2.0		V	
$V_{IL}$	LOW Level Input Voltage	4.5-5.5			0.8		0.8	V	
$V_{OH}$	HIGH Level Output Voltage	4.5	4.4	4.5		4.4		V	$I_{OH} = -20 \mu A$ $I_{OH} = -2$ mA $V_{IN} = V_{IL}$
		4.5	4.18	4.35		4.13			
$V_{OL}$	LOW Level Output Voltage	4.5		0	0.1		0.1	V	$I_{OL} = 20 \mu A$ $I_{OL} = 2$ mA $V_{IN} = V_{IH}$
		4.5		0.10	0.26		0.33		
$I_{IN}$	Input Leakage Current	5.5			$\pm 0.1$		$\pm 1.0$	$\mu A$	$0 \leq V_{IN} \leq 5.5V$
$I_{CC}$	Quiescent Supply Current	5.5			1.0		10.0	$\mu A$	$V_{IN} = V_{CC}$ or GND
$I_{CCT}$	$I_{CC}$ per Input	5.5			2.0		2.9	mA	One input $V_{IN} = 0.5V$ or 2.4V, other input $V_{CC}$ or GND

## AC Electrical Characteristics

Symbol	Parameter	V <sub>CC</sub> (V)	T <sub>A</sub> = +25°C			T <sub>A</sub> = -40°C to +85°C		Units	Conditions	Fig. No.	
			Min	Typ	Max	Min	Max				
t <sub>PLH</sub> , t <sub>PHL</sub>	Propagation Delay	5.0	3.4			12		ns	C <sub>L</sub> = 15 pF	Figure 1, Figure 3	
			6.3			17					
		4.5	6.0			16			20		C <sub>L</sub> = 50 pF
			11.5			27					
		5.5	4.1			14			18		
			11.2			26					
t <sub>TLH</sub> , t <sub>THL</sub>	Output Transition Time	5.0	4			10		ns	C <sub>L</sub> = 15 pF	Figure 1,	
		4.5	11			25		ns	C <sub>L</sub> = 50 pF	Figure 3	
		5.5	10			21					
C <sub>IN</sub>	Input Capacitance	Open	2			10		pF			
C <sub>PD</sub>	Power Dissipation Capacitance	5.0	6					pF	(Note 2)	Figure 2	

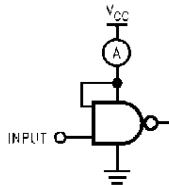
**Note 2:** C<sub>PD</sub> is defined as the value of the internal equivalent capacitance which is derived from dynamic operating current. Current consumption (ICCD) at no output loading and operating at 50% duty cycle. (See Figure 2) CPD is related to ICCD dynamic operating current by the expression ICCD = (C<sub>PD</sub>)(V<sub>CC</sub>)(f<sub>IN</sub>) + (I<sub>CCstat</sub>)

## AC Loading and Waveforms



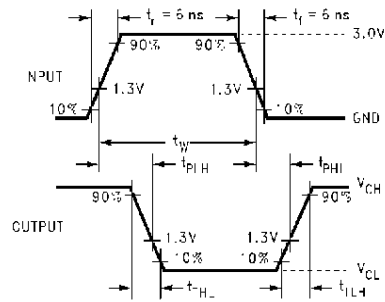
C<sub>L</sub> includes load and stray capacitance  
Input PRR = 1.0 MHz, t<sub>w</sub> = 500 ns

**FIGURE 1. AC Test Circuit**



Input = AC Waveform, PRR = variable, Duty Cycle = 50%

**FIGURE 2. ICCD Test Circuit**



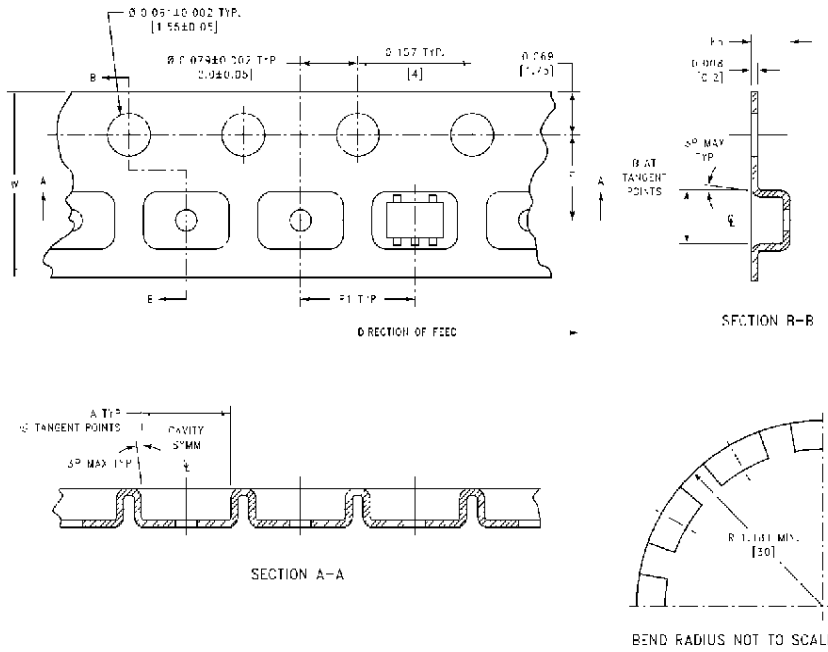
**FIGURE 3. AC Waveforms**

### Tape and Reel Specification

TAPE FORMAT

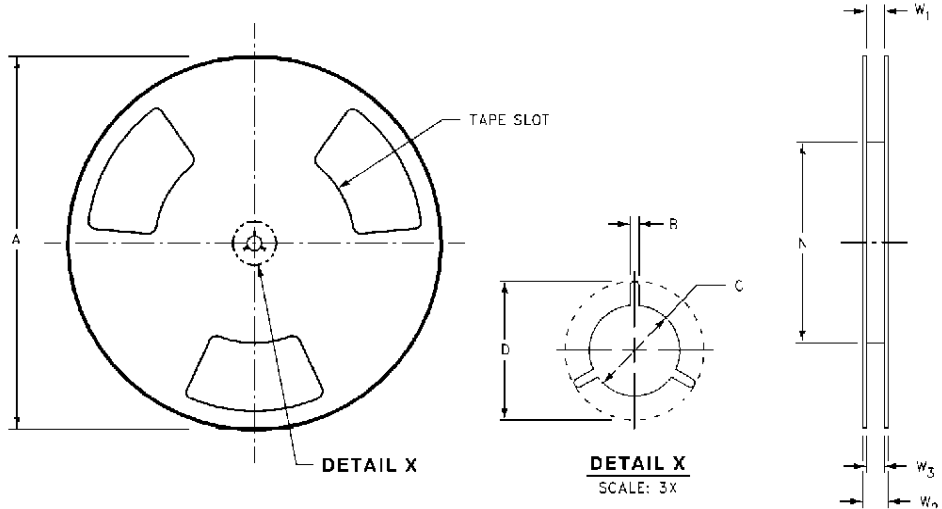
Package Designator	Tape Section	Number Cavities	Cavity Status	Cover Tape Status
M5, P5	Leader (Start End)	125 (typ)	Empty	Sealed
	Carrier	250	Filled	Sealed
	Trailer (Hub End)	75 (typ)	Empty	Sealed
M5X, P5X	Leader (Start End)	125 (typ)	Empty	Sealed
	Carrier	3000	Filled	Sealed
	Trailer (Hub End)	75 (typ)	Empty	Sealed

TAPE DIMENSIONS inches (millimeters)



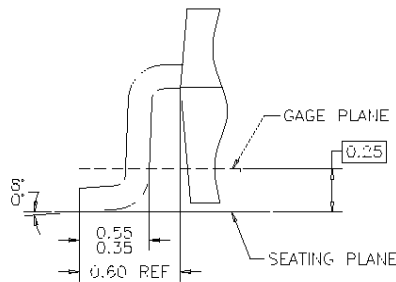
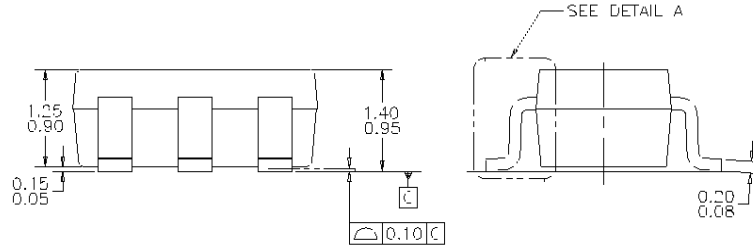
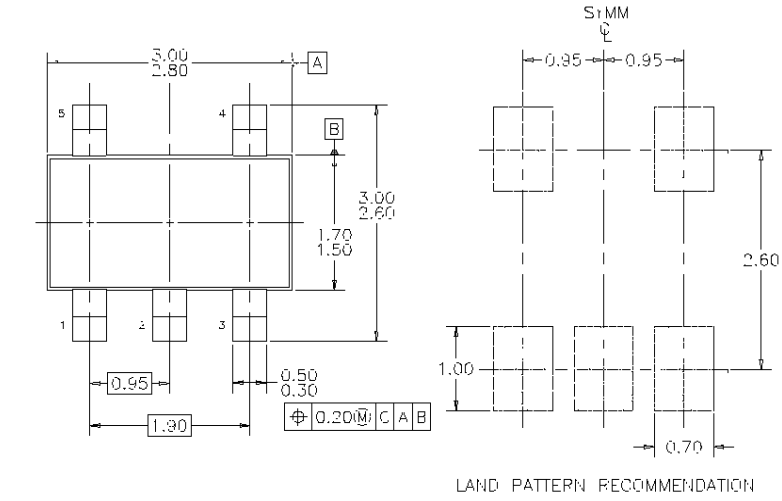
Package	Tape Size	DIM A	DIM B	DIM F	DIM K <sub>0</sub>	DIM P1	DIM W
SC70-5	8 mm	0.093 (2.35)	0.096 (2.45)	0.138 ± 0.004 (3.5 ± 0.10)	0.053 ± 0.004 (1.35 ± 0.10)	0.157 (4)	0.315 ± 0.004 (8 ± 0.1)
SOT23-5	8 mm	0.130 (3.3)	0.130 (3.3)	0.138 ± 0.002 (3.5 ± 0.05)	0.055 ± 0.004 (1.4 ± 0.11)	0.157 (4)	0.315 ± 0.012 (8 ± 0.3)

REEL DIMENSIONS inches (millimeters)



Tape Size	A	B	C	D	N	W1	W2	W3
8 mm	7.0 (177.8)	0.059 (1.50)	0.512 (13.00)	0.795 (20.20)	2.165 (55.00)	$0.331 + 0.059/-0.000$ (8.40 + 1.50/-0.00)	0.567 (14.40)	$W1 + 0.078/-0.039$ (W1 + 2.00/-1.00)

**Physical Dimensions** inches (millimeters) unless otherwise noted

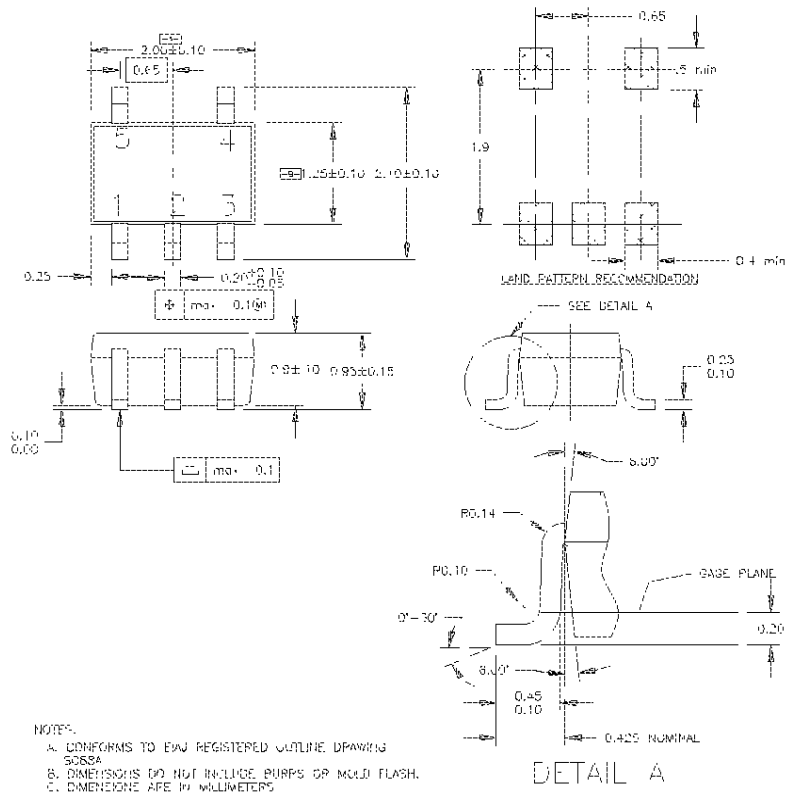


NOTES: UNLESS OTHERWISE SPECIFIED

- A) THIS PACKAGE CONFORMS TO JEDEC MO-178, ISSUE B, VARIATION AA, DATED JANUARY 1999.
- B) ALL DIMENSIONS ARE IN MILLIMETERS.

**5-Lead SOT23, JEDEC MO-178, 1.6mm  
Package Number MA05B**

**Physical Dimensions** inches (millimeters) unless otherwise noted (Continued)



NOTES:  
 A. CONFORMS TO EIAJ REGISTERED OUTLINE DRAWING SC70A  
 B. DIMENSIONS DO NOT INCLUDE BURRS OR MOLD FLASH  
 C. DIMENSIONS ARE IN MILLIMETERS

**5-Lead SC70, EIAJ SC-88a, 1.25mm Wide  
 Package Number MAA05A**

**LIFE SUPPORT POLICY**

FAIRCHILD'S PRODUCTS ARE NOT AUTHORIZED FOR USE AS CRITICAL COMPONENTS IN LIFE SUPPORT DEVICES OR SYSTEMS WITHOUT THE EXPRESS WRITTEN APPROVAL OF THE PRESIDENT OF FAIRCHILD SEMICONDUCTOR CORPORATION. As used herein:

1. Life support devices or systems are devices or systems which, (a) are intended for surgical implant into the body, or (b) support or sustain life, and (c) whose failure to perform when properly used in accordance with instructions for use provided in the labeling, can be reasonably expected to result in a significant injury to the user.
2. A critical component in any component of a life support device or system whose failure to perform can be reasonably expected to cause the failure of the life support device or system, or to affect its safety or effectiveness.

[www.fairchildsemi.com](http://www.fairchildsemi.com)

Fairchild does not assume any responsibility for use of any circuitry described, no circuit patent licenses are implied and Fairchild reserves the right at any time without notice to change said circuitry and specifications.