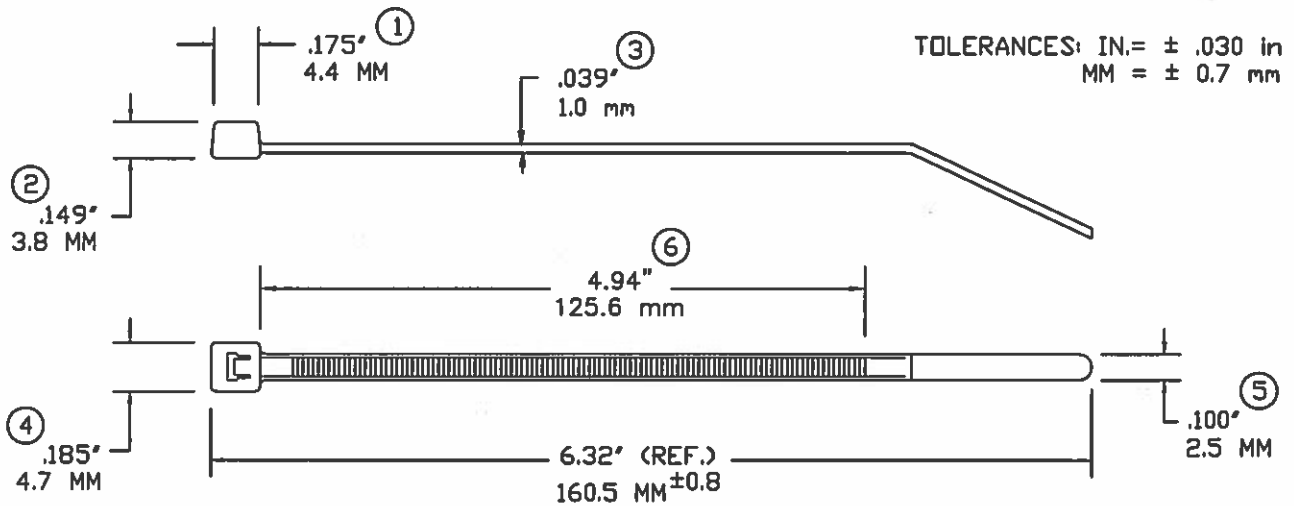


AVERY DENNISON MARKETING SPECIFICATION



NOT TO SCALE

LOOPED TENSILE STRENGTH:	18 Lbsf. / 80N MINIMUM
MILITARY STANDARD:	MS-3367-4-0
MATERIAL:	NYLON 6/6
WEIGHT:	.01363 OZ. / .40 GRAMS
BUNDLE DIAMETER:	Ø0.063"/1.59mm TO 1.5"/38.1mm
MIN. INSTALLATION TEMP:	32°F (0°C)
OPERATING TEMPERATURE:	-40°F(-40°C) TO 176°F(80°C)
APPLICATION TOOL:	TOOL, HAND ADJUSTABLE, FOR PLASTIC TIE DOWN STRAP. AVERY DENNISON PART NUMBER 12001.
TOOL TENSION SETTING:	1-3
PACKAGED IN:	100/BAG, 5000/CASE

UV Resistant and has a flammability rating of V-2
For use indoors and outdoors



FASTENER DIVISION
FITCHBURG, MA 01420 U.S.A.
TEL. 1-800-225-5913
MA. 978-353-8157



DESCRIPTION:

6" CABLE TIE, SLIM-LINE
BLACK WEATHER RESISTANT

APPROVAL:

Jane Boyle 7/1/2016

STOCK NO.

10396-0

REV

C

Mouser Electronics

Authorized Distributor

Click to View Pricing, Inventory, Delivery & Lifecycle Information:

[Avery Dennison:](#)

[10396-0](#)