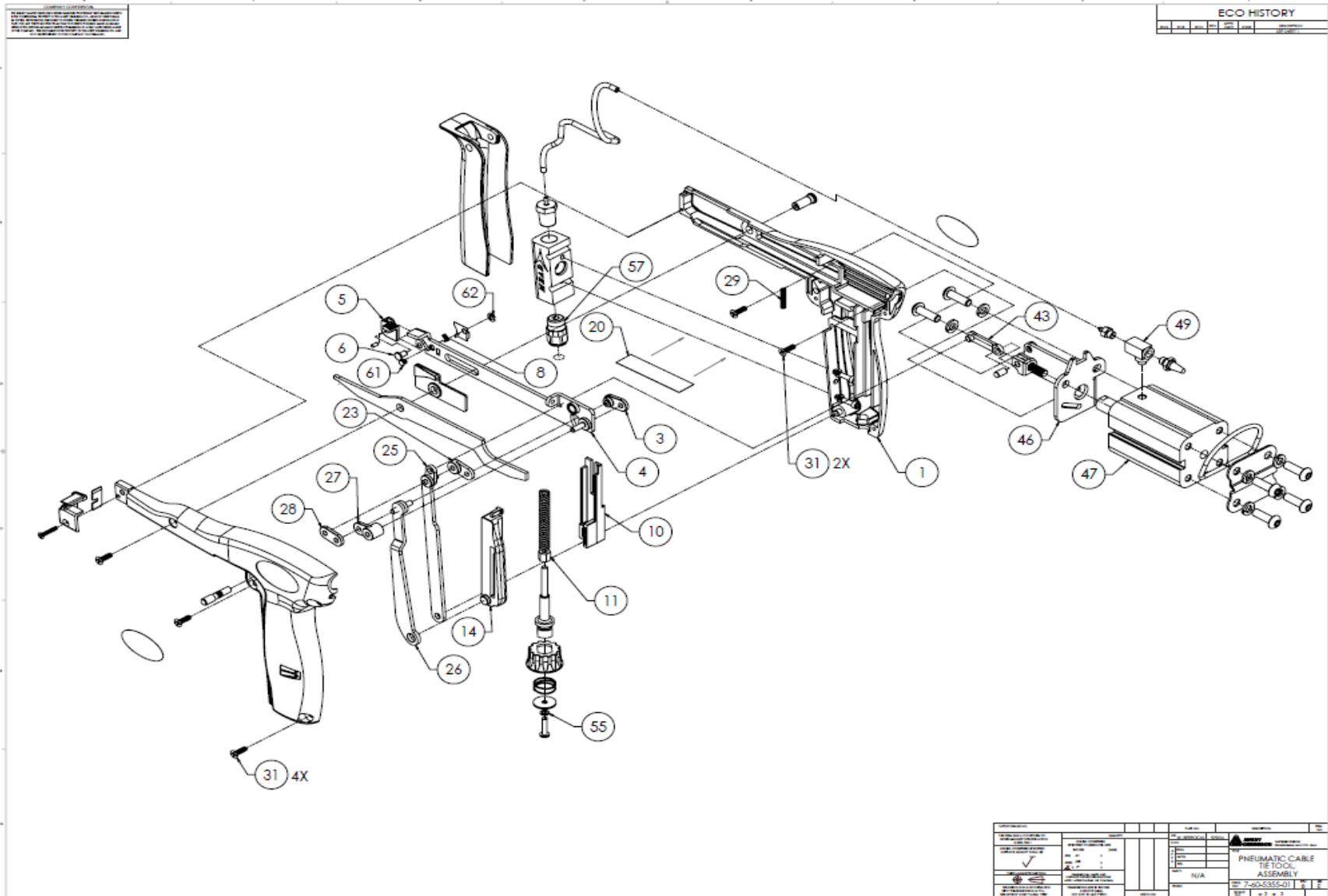


Pneumatic Cable Tie Tool: Spare Parts Diagram

Part No. 12500-0



12500-0 Pneumatic Cable Tie Tool: Spare Parts List

ITEM	PART NUMBER	DESCRIPTION	QUANTITY PER TOOL	PRICE
1	3-01-0240-02	HANDLE KIT PNEUMATIC (RIGHT AND LEFT) <i>12500</i>	1	
3	7-60-0027-01	TOGGLE LINK #1	1	
4	3-01-0237-01	TENSION LEVER ASSEMBLY	1	
5	3-01-0231-01	PAWL, CA.TIE TOOL	1	
6	3-01-0226-01	PAWL PIVOT PIN	1	
8	7-62-0214-01	PAWL SPRING	1	
10	7-60-5367-01	SPRING HOUSING REWORK PNEUMATIC TOOL	1	
11	7-60-0010-01	ADJUSTING NUT	1	
14	7-60-5305-01	TENSION LINK	1	
20	7-60-8423-01	WEAR PLATE	1	
23	7-60-0025-01	TOGGLE LINK #2	1	
25	7-60-5323-01	PULL-BACK LEVER ASSEMBLY PNEUMATIC TOOL	1	
26	7-60-5300-01	CUT-OFF LINK ASSEMBLY	1	
27	7-60-0029-01	TOGGLE LINK #3	1	
28	7-60-0040-01	TOGGLE LINK #4	1	
29	0-051-166-12	SPRING	1	
31	7-62-0206-01	#4-40 x 3/8" FLAT HEAD SCREW	4	
43	7-60-5325-01	CONNECTING LINK PNEUMATIC TOOL	1	
46	7-62-0291-01	E-RING, EW-2.5	1	
47	7-60-5243-01	AIR CYLINDER AIRTAC	1	
49	7-62-0256-01	CLIPPARD MEV-2 QUICK EXHAUST VALVE	1	
55	0-061-211-03	WASHER LOCK #4	3	
57	0-021-289-08	FITTING PNEUMATIC TUBE - MLE NPT	1	
61	7-62-0290-01	SPRING RETAINER PIN	1	
62	7-62-0291-01	E-RING EW-2.5	1	
	12002	BLADE REPLACEMENT KIT		
	12501	TRIGGER REPLACEMENT KIT		
	12004	BLADE COVER REPLACEMENT KIT		
	12005	BLADE COVER EXTENSION KIT		
	12006	TENSION KNOB ADJ. LOCK KIT		
	12007	TENSION KNOB REPLACEMENT KIT		

Mouser Electronics

Authorized Distributor

Click to View Pricing, Inventory, Delivery & Lifecycle Information:

[Avery Dennison:](#)

[12007-0](#) [12006-0](#) [12501-0](#) [12003-1](#) [12001-1](#) [12002-1](#) [12500-1](#) [12005-1](#) [12004-1](#)