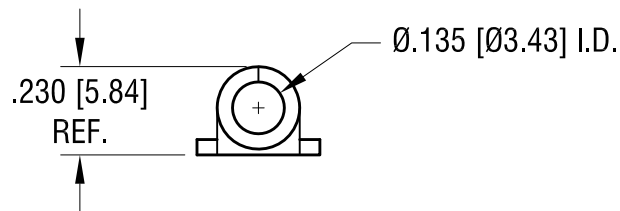
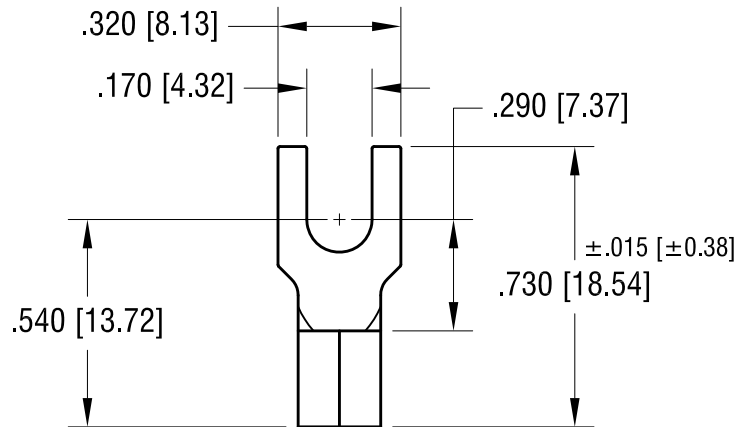


THIS DOCUMENT IS THE PROPERTY OF  
KEYSTONE ELECTRONICS CORP. AND  
SHALL NOT BE REPRODUCED, DISTRIBUTED  
OR USED AS A BASIS FOR MANUFACTURE  
WITHOUT PRIOR WRITTEN PERMISSION  
FROM KEYSTONE ELECTRONICS CORP.

ACTUAL SIZE



**NOTE:**

1. ACCOMMODATES WIRE RANGE 12/10 AWG

<b>KEYSTONE ELECTRONICS CORP.</b>			
www.keyelco.com • NEW HYDE PARK, NY 11040 • Tel (516) 328-7500			
PART NAME		BLOCK SPADE TERMINAL	
MATERIAL		.040 [1.02] TH'K COPPER	
FINISH		DRN BY	DATE
TIN PLATE		BOONE	10.22.07
		APP'D	SCALE
		RH	2X
TOLERANCES	INCH [MM]	CODE	DWG NO.
DECIMAL	± .010 [± 0.25]	C	<b>8225</b>
ANGULAR	± 1°		
UNLESS OTHERWISE SPECIFIED			

4.09.24	NEW TOOL	A
DATE	DESCRIPTION	REV.