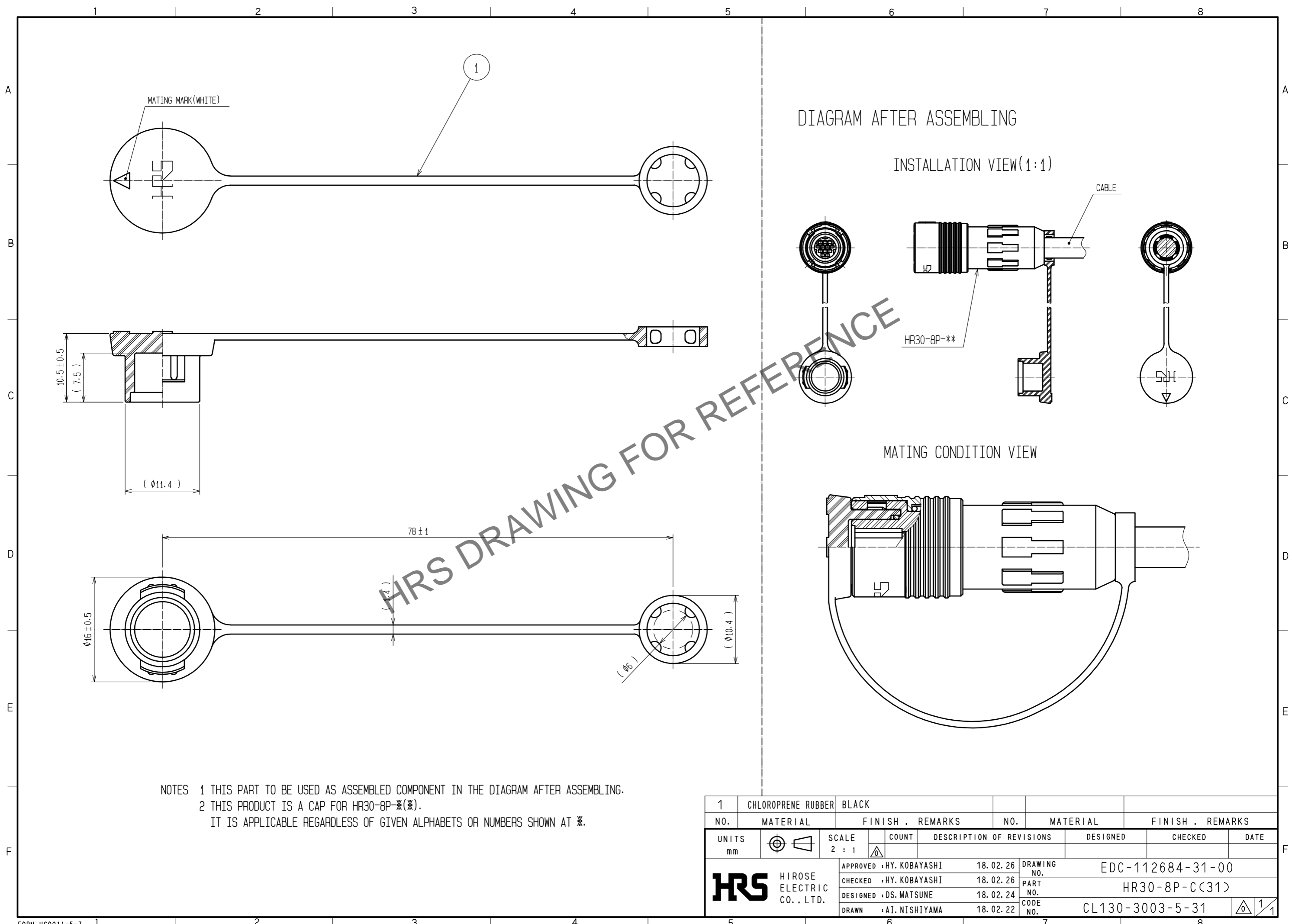


Jun.1.2024 Copyright 2024 HIROSE ELECTRIC CO., LTD. All Rights Reserved.
 In case of consideration for using Automotive equipment / device which demand high reliability, kindly contact our sales window correspondents.



NOTES 1 THIS PART TO BE USED AS ASSEMBLED COMPONENT IN THE DIAGRAM AFTER ASSEMBLING.
 2 THIS PRODUCT IS A CAP FOR HR30-8P-*(*)
 IT IS APPLICABLE REGARDLESS OF GIVEN ALPHABETS OR NUMBERS SHOWN AT *.

1	CHLOROPRENE RUBBER	BLACK					
NO.	MATERIAL	FINISH . REMARKS	NO.	MATERIAL	FINISH . REMARKS		
UNITS		SCALE		DESCRIPTION OF REVISIONS		DESIGNED	CHECKED
mm		2 : 1					
HIROSE ELECTRIC CO., LTD.			APPROVED	·HY. KOBAYASHI	18. 02. 26	DRAWING NO. EDC-112684-31-00	
			CHECKED	·HY. KOBAYASHI	18. 02. 26	PART NO. HR30-8P-C(31)	
			DESIGNED	·DS. MATSUNE	18. 02. 24	CODE NO. CL130-3003-5-31	
			DRAWN	·AI. NISHIYAMA	18. 02. 22		