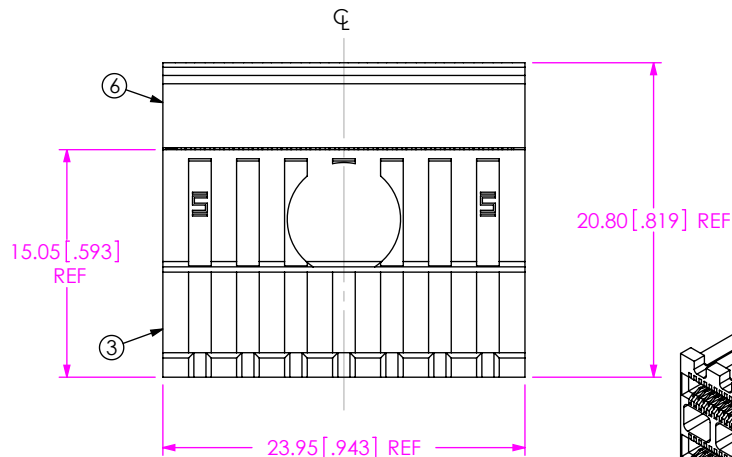


DO NOT SCALE FROM THIS PRINT



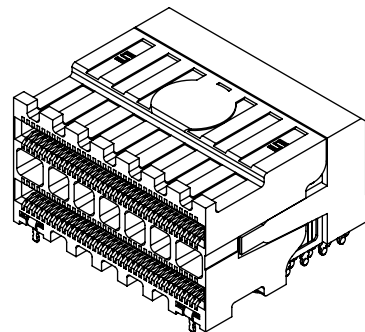
HDI6-035-01-RA-XR

NO OF POS
-035

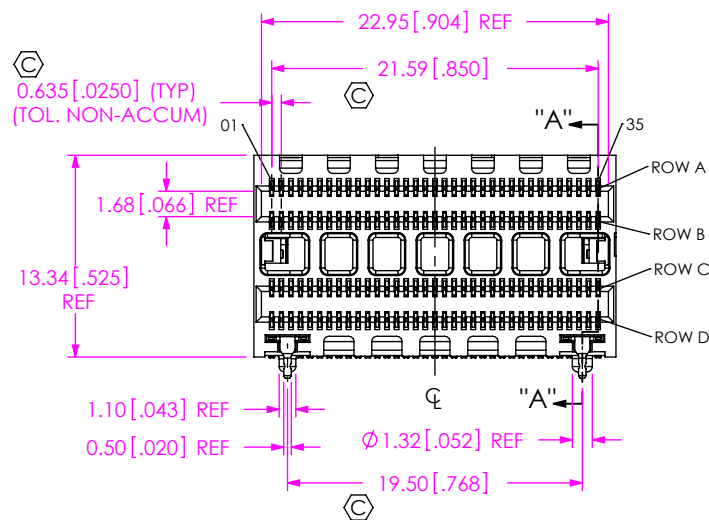
LEADSTYLE
-01

TAPE & REEL (SEE NOTES 5, 6 & 13)
-TR: TAPE & REEL
-FR: FULL REEL QTY TAPE & REEL

RIGHT ANGLE

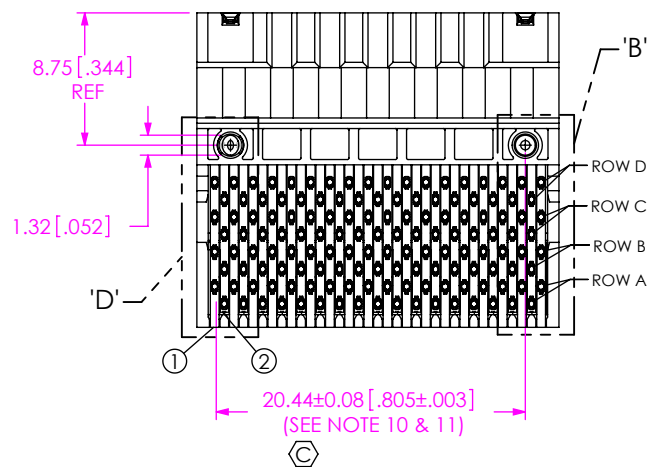


Pb THIS PRODUCT MANUFACTURED WITH LEAD-FREE PROCESSING



NOTES:

1. $\text{\textcircled{C}}$ REPRESENTS A CRITICAL DIMENSION.
2. MINIMUM PUSHOUT FORCE: 2.22N[0.5 LB].
3. INSPECT DIMENSION AT BOTH ENDS OF PART. ALL VISIBLE SOLDER CRIMPS TO BE CHECKED.
4. NOTE DELETED.
5. PARTS TO BE PACKAGED IN TAPE AND REEL.
6. ATTACH LABEL TO EACH REEL.
7. MEASUREMENT MUST BE TAKEN FROM THE LOWEST POINT OF THIS SURFACE (STANDOFF).
8. SOLDER COMPOSITION; 96.5% TIN/3.5% SILVER.
9. MEASUREMENT MUST BE TAKEN TO BACK CAP.
10. CHECK DIMENSION AT FIRST AND LAST ROW OF TAILS AFTER BACK CAP IS INSTALLED.
11. MEASURED TO THE EDGE OF THE TAIL.
12. SYSTEM BOM TO CALLOUT SUB-IM-C-299-00-S & A QUANTITY OF 35. LEAD STYLES -01 & -02 ARE PRODUCED FROM A 38.00 PROGRESSION (ONE -01 & ONE -02).
13. ORDERS WILL BE PACKAGED ACCORDING TO THE SAMTEC PACKAGING EFFICIENCY STANDARDS (SPES) FOUND ON WWW.SAMTEC.COM.



ITEM NO.	PART NUMBER	QUANTITY	MATERIAL
1	SUB-IM-C-299-01-S (SEE NOTE 12)	18.000	PHOS BRONZE, 521 HARD TEMPER
2	SUB-IM-C-299-02-S (SEE NOTE 12)	17.000	PHOS BRONZE, 521 HARD TEMPER
3	HT3-035-01-RA	1.0000	VECTRA E130i, COLOR: BLACK
4	WT-61-01-T	2.0000	PHOS BRONZE, 510 1/2 HARD
5	CT-ASP3238MS	1.0000	CONDUCTIVE POLYMER
6	HT3-BC-035-01	1.0000	VECTRA E130i, COLOR: BLACK

UNLESS OTHERWISE SPECIFIED, DIMENSIONS ARE IN MILLIMETERS[INCHES].
TOLERANCES ARE:
DECIMALS ANGLES
X.X: ±0.3[.01]
X.XX: ±0.13[.005]
X.XXX: ±0.051[.0020]

PROPRIETARY NOTE

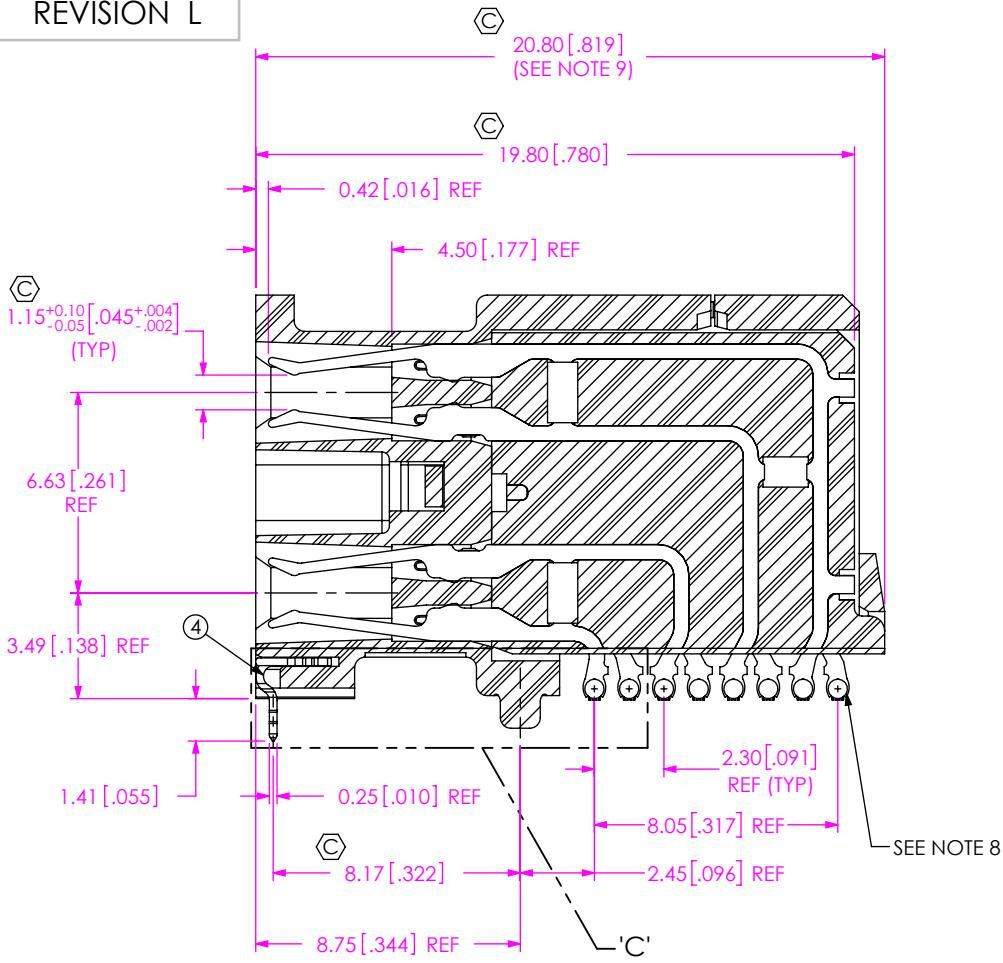
THIS DOCUMENT CONTAINS CONFIDENTIAL AND PROPRIETARY INFORMATION AND ALL DESIGN, MANUFACTURING, REPRODUCTION, USE, PATENT RIGHTS AND SALES RIGHTS ARE EXPRESSLY RESERVED BY SAMTEC, INC. THIS DOCUMENT SHALL NOT BE DISCLOSED, IN WHOLE OR PART, TO ANY UNAUTHORIZED PERSON OR ENTITY NOR REPRODUCED, TRANSFERRED OR INCORPORATED IN ANY OTHER PROJECT IN ANY MANNER WITHOUT THE EXPRESS WRITTEN CONSENT OF SAMTEC, INC.



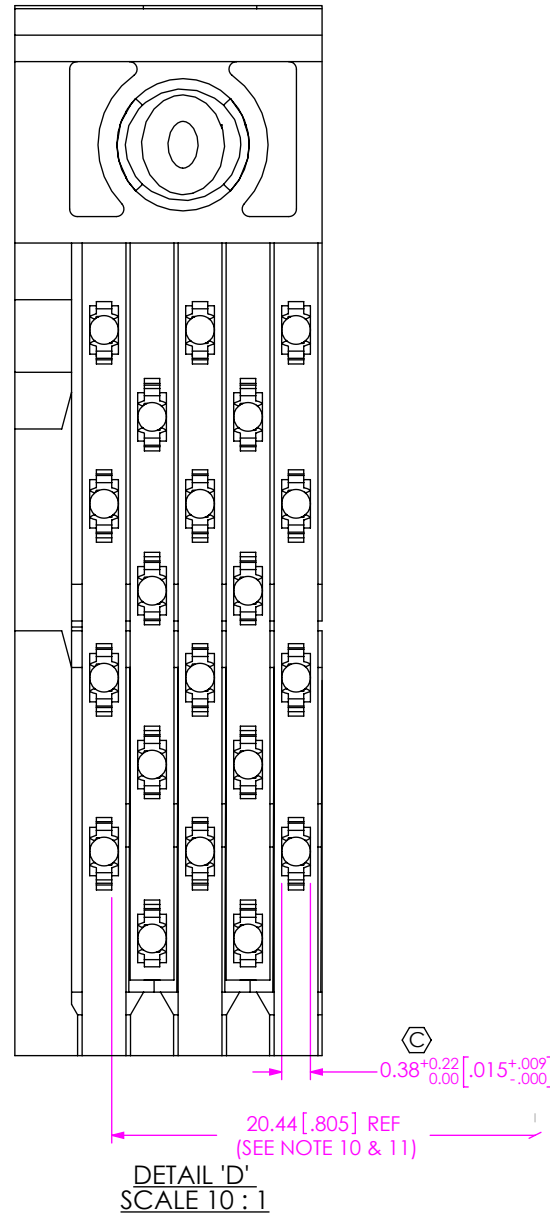
520 PARK EAST BLVD, NEW ALBANY, IN 47150
PHONE: 812-944-6733 FAX: 812-948-5047
e-Mail: info@SAMTEC.com code: 55322

MATERIAL: DO NOT SCALE DRAWING SHEET SCALE: 2:1
INSULATOR: LCP
CONTACT: PHOS BRONZE
WT: PHOS BRONZE
PLATING:
CONTACT AREA: .000030 GOLD OVER .000050 NICKEL
REMAINDER: .000200 REF TIN OVER .000050 NICKEL
F:\DVG\MISC\MKTG\HDI6-035-01-RA-XR-MKT.SLDDRW

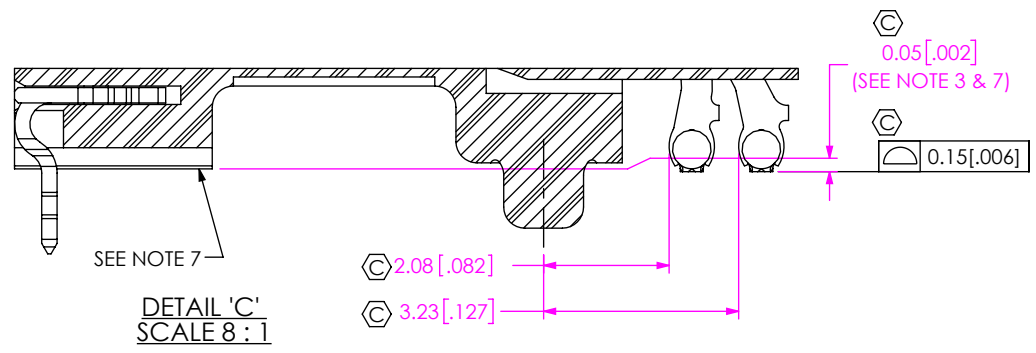
DESCRIPTION: 4 ROW 0.635mm SOCKET
DWG. NO. HDI6-035-01-RA-XR
BY: CLAY W 10/14/2010 SHEET 1 OF 3



SECTION "A"-"A"
SCALE 4 : 1



DETAIL 'D'
SCALE 10 : 1



DETAIL 'C'
SCALE 8 : 1

PROPRIETARY NOTE
THIS DOCUMENT CONTAINS CONFIDENTIAL AND PROPRIETARY INFORMATION AND ALL DESIGN, MANUFACTURING, REPRODUCTION, USE, PATENT RIGHTS AND SALES RIGHTS ARE EXPRESSLY RESERVED BY SAMTEC, INC. THIS DOCUMENT SHALL NOT BE DISCLOSED, IN WHOLE OR PART, TO ANY UNAUTHORIZED PERSON OR ENTITY NOR REPRODUCED, TRANSFERRED OR INCORPORATED IN ANY OTHER PROJECT IN ANY MANNER WITHOUT THE EXPRESS WRITTEN CONSENT OF SAMTEC, INC.



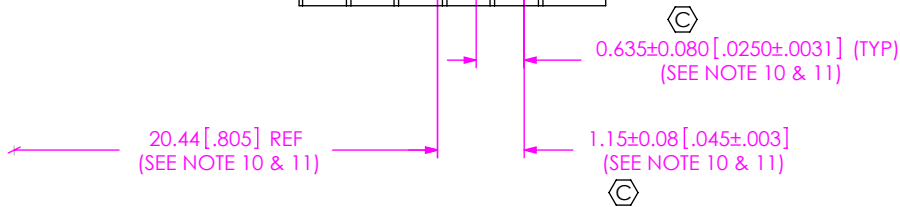
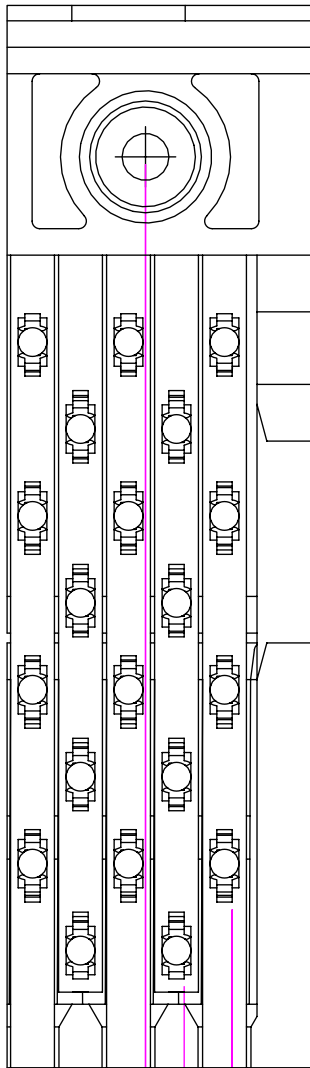
520 PARK EAST BLVD, NEW ALBANY, IN 47150
PHONE: 812-944-6733 FAX: 812-948-5047
e-Mail: info@SAMTEC.com code: 55322

SHEET SCALE: 2:1

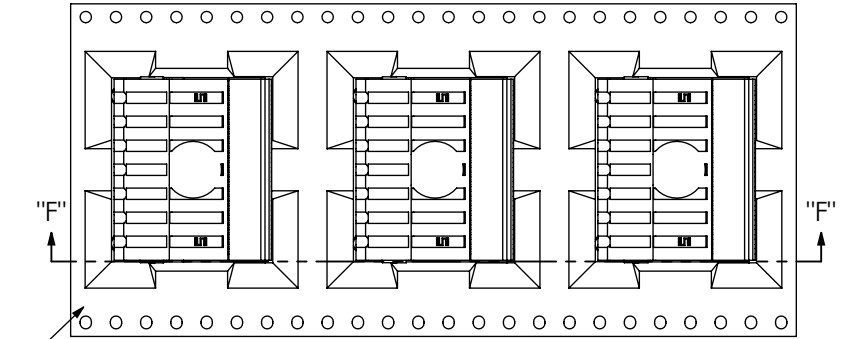
DESCRIPTION:
4 ROW 0.635mm SOCKET

DWG. NO.
HDI6-035-01-RA-XR

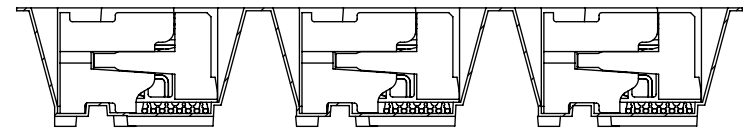
BY: CLAY W 10/14/2010 SHEET 2 OF 3



DETAIL 'B'
SCALE 10:1



USER DIRECTION OF UN-REELING
POCKET NOT DETAILED



SECTION "F"-F"

PACKAGING VIEW

PROPRIETARY NOTE

THIS DOCUMENT CONTAINS CONFIDENTIAL AND PROPRIETARY INFORMATION AND ALL DESIGN, MANUFACTURING, REPRODUCTION, USE, PATENT RIGHTS AND SALES RIGHTS ARE EXPRESSLY RESERVED BY SAMTEC, INC. THIS DOCUMENT SHALL NOT BE DISCLOSED, IN WHOLE OR PART, TO ANY UNAUTHORIZED PERSON OR ENTITY NOR REPRODUCED, TRANSFERRED OR INCORPORATED IN ANY OTHER PROJECT IN ANY MANNER WITHOUT THE EXPRESS WRITTEN CONSENT OF SAMTEC, INC.



520 PARK EAST BLVD, NEW ALBANY, IN 47150
 PHONE: 812-944-6733 FAX: 812-948-5047
 e-Mail: info@SAMTEC.com code: 55322

SHEET SCALE: 1:1

DESCRIPTION:
4 ROW 0.635mm SOCKET

DWG. NO.
HDI6-035-01-RA-XR

BY: CLAY W 10/14/2010 SHEET 3 OF 3