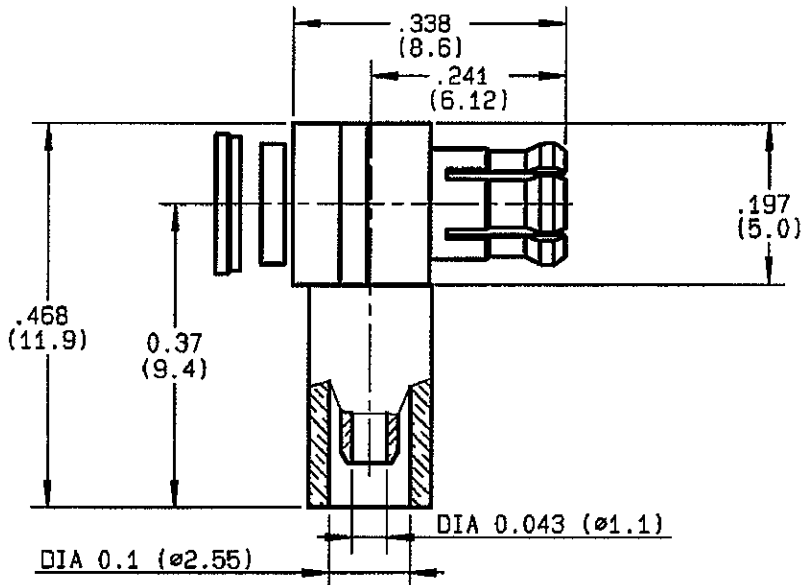


**RIGHT ANGLE PLUG CRIMP TYPE
CABLE 2/50 S**

R113.181.000
SERIES MCX



NOMINAL IMPEDANCE	50 Ω
FREQUENCY RANGE	0-6 GHz
TEMPERATURE RATING	-55/+155 °C
V.S.W.R	1.10 + .075 x F(GHz)Maxi
RF INSERTION LOSS	0.5 √F(GHz) dB Maxi
VOLTAGE RATING	170 Veff Maxi
DIELECTRIC WITHSTANDING VOLTAGE	500 Veff Mini
INSULATION RESISTANCE	1000 M ΩMini
HERMETIC SEAL	NA Atm.cm ³ /s
LEAKAGE (pressurized only)	NA
MECHANICAL DURABILITY	500 Cycles
WEIGHT	gr
SPECIFICATION	

CABLES : **KX 21**
RG 178
RG 178 LC
RG 196

OTHERS CHARACTERISTICS

CABLE RETENTION	32 N Mini
CENTER CONTACT RETENTION	
Axial force - mating end	10 N Mini
Axial force - opposite end	10 N Mini
Torque	NA cm.N Mini
RECOMMENDED TORQUES	
Mating	NA cm.N
Panel nut	NA cm.N
Clamp nut	NA cm.N

CONNECTOR PARTS

MATERIALS

FINISH

(all values are given)
in micrometers

BODY	BRASS	GOLD 0.2 OVER NICKEL 2
OUTER CONTACT	BERYLLIUM COPPER	GOLD 0.5 OVER NICKEL 2
CENTER CONTACT	BRASS	GOLD 1.3 OVER NICKEL 2
INSULATOR	PTFE	-
GASKET		-
OTHERS PIECES		

ISSUE:
0746G

CREATION DATE FILE PART-NUMBER
30/03/1988

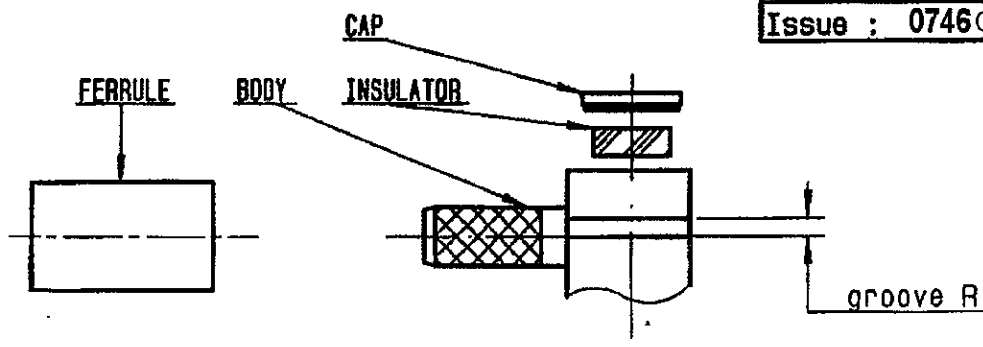


RADIALL®

BAFFERT

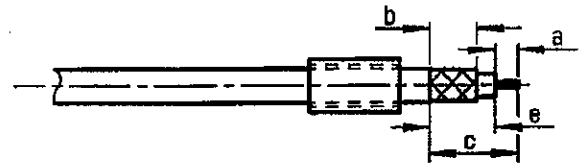
The information given here is subject to change without notice.
Design changes may be in order to improve the product .

Connect to the future



①

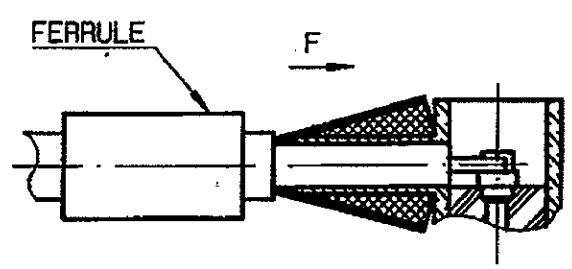
Slide onto the cable the ferrule .
Strip the cable .
Tin cable inner conductor .



Stripping	a	b	c	d	e
Inch	0.079	0.197	0.374	0	0.236
mm	2	5	9.5	-	6

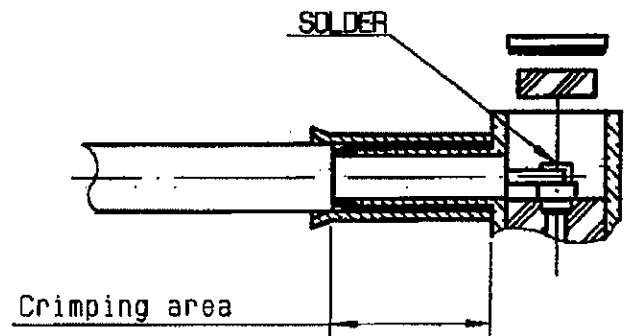
②

Fan the braid .
Push connector body under the braid .
Slide the ferrule on the braid
(in direction F)



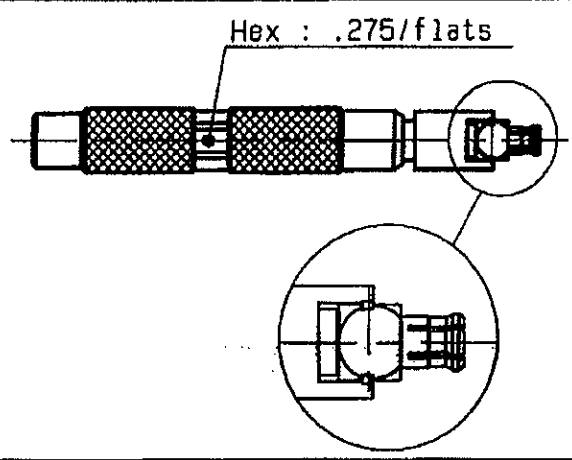
③

Crimp the ferrule with crimping tool R282 271 000 (Hex. : .128) or crimping tool R 282 293 000 (M22520/5-01) + dies R 282 235 003 (M22520/5-03)
Solder inner conductor .
Introduce the insulator into the body .
Press fit the cap .



④

Slide mounting tool R282 868 onto the body grooves .
Press fit the cap turning tool handle with adapted wrench .275(AF) (cap in the same plan than square face) .



This information is given as an indication . In the continual goal to improve our products , we reserve the right to make any modifications judged necessary .