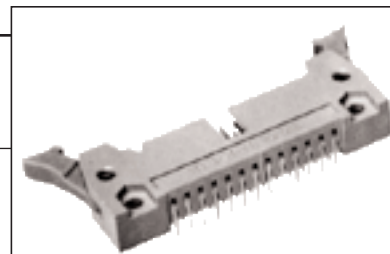


FA Series Connectors

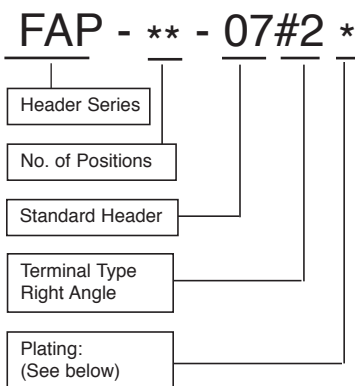
		pages
Latch Header (2.54mm)	Right Angle, Solder Dip	72-73
Latch Header (2.54mm)	Straight, Solder Dip	74-75
Box Header (2.54mm)	Right Angle, Solder Dip	76-77
Box Header (2.54mm)	Straight, Solder Dip	78-79
IDC Connectors (2.54mm)	Transition Header	80-81
DIN41612 (2.54mm) 64 pin	IDC Receptacle	82-83
DIN41612 (2.54mm) 96 pin	IDC Receptacle	84-85
Accessories	Connector Strain Reliefs	86

Latch Header (2.54mm, Right Angle)

FAP SERIES



ORDERING INFORMATION



Characteristics

Current Rating:	1.0A
Insulation Resistance:	1,000M Minimum at 500 VDC
Withstanding Voltage:	1000 VAC for 1 minute
Contact Resistance:	30m Max. at 10mA
Operating Temperature:	-20°C ~ +105°C

Material and Finish

Insulator:	High Temp Thermoplastic-UL94V-0
Contact:	Copper Alloy
Plating:	Mating Face Contacts: Au over Ni Terminals: Au over Ni

Features

1. Right-angle terminals
2. Short latches
3. Optional plating finishes
4. Central polarizing key

TYPES OF PLATING

FAP Series

Plating Type	Plating Type	Mating Face	Terminals
	Ni 2.5 ~ 4.5 μm	Au 0.30 μm Min.	Au 0.05 μm Min.

CONNECTOR DIMENSIONS (reference only)

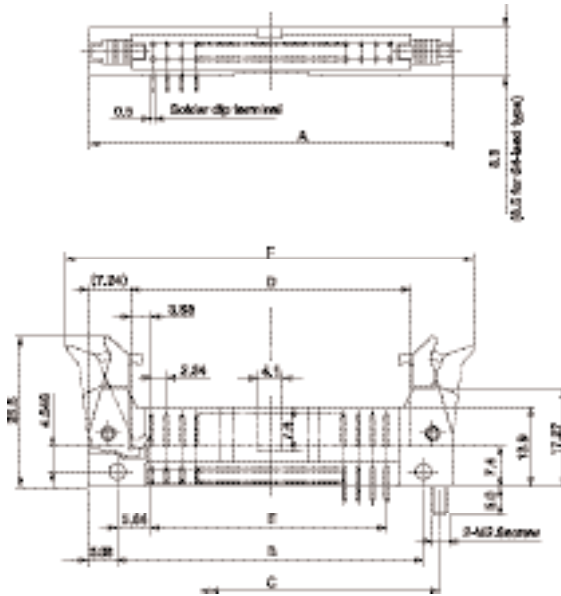
FAP Series

Part Number	No. of Positions	Pitch	A	B	C	D	E	F
FAP—10—07# 2	10	2.54 mm	32.00	21.84	27.94	17.52	10.16	44.00
FAP—16—07# 2	16	2.54 mm	39.62	29.48	35.56	25.14	17.78	51.50
FAP—20—07# 2	20	2.54 mm	44.70	34.54	40.64	30.22	22.86	56.50
FAP—26—07# 2	26	2.54 mm	52.32	42.16	48.26	37.84	30.48	63.50
FAP—34—07# 2	34	2.54 mm	62.48	52.32	58.42	48.00	40.64	73.50
FAP—40—07# 2	40	2.54 mm	70.10	59.94	66.04	55.62	48.26	82.00
FAP—50—07# 2	50	2.54 mm	82.80	72.64	78.74	68.32	60.96	93.80
FAP—60—07# 2	60	2.54 mm	95.50	85.34	91.44	81.02	73.66	106.50
FAP—64—07# 2	64	2.54 mm	100.58	90.42	96.52	86.10	78.74	112.00

FAP SERIES

APPLICABLE DIMENSIONS (reference only)

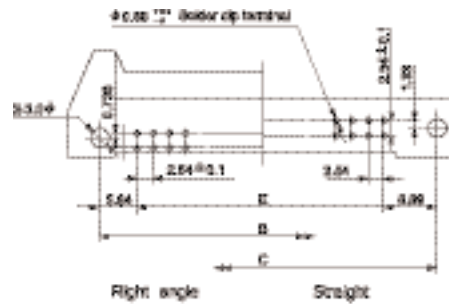
Connector Outline Dimensions



Contact Detail

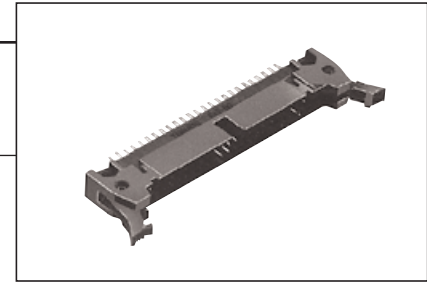


PCB Layout



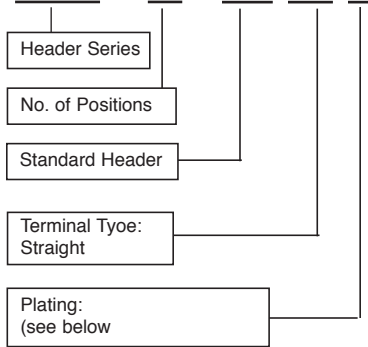
Latch Header (2.54mm, Straight)

FAP SERIES



ORDERING INFORMATION

FAP - ** - 07 #4 *



Characteristics

Current Rating:	1.0 A
Insulation Resistance:	1,000M Minimum at 500 VDC
Withstanding Voltage:	1000 VAC for 1 minute
Contact Resistance:	30m Max. at 10mA
Operating Temperature:	-20°C ~ +105°C

Material and Finish

Insulator:	High Temp Thermoplastic-UL94V-0
Contact:	Copper Alloy
Plating:	Mating Face Contacts: Au over Ni Terminals: Au over Ni

Features

1. Straight terminals
2. Short latches
3. Optional plating finishes
4. Central polarizing key

TYPES OF PLATING

FAP Series

Plating Type	Plating Type	Mating Face	Terminals
	Ni 2.5 ~ 4.5 μm	Au 0.30 μm Min.	Au 0.05 μm Min.

CONNECTOR DIMENSIONS (reference only)

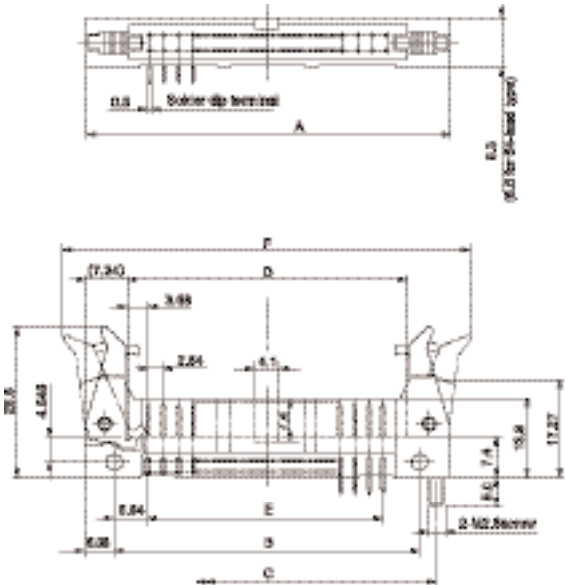
FAP Series

Part Number	No. of Positions	Pitch	A	B	C	D	E	F
FAP—10—07# 4	10	2.54 mm	32.00	21.84	27.94	17.52	10.16	44.00
FAP—16—07# 4	16	2.54 mm	38.62	29.48	35.56	25.14	17.78	51.50
FAP—20—07# 4	20	2.54 mm	44.70	34.54	40.64	30.22	22.86	58.50
FAP—26—07# 4	26	2.54 mm	52.32	42.18	48.26	37.84	30.48	63.50
FAP—34—07# 4	34	2.54 mm	62.48	52.32	58.42	48.00	40.64	73.50
FAP—40—07# 4	40	2.54 mm	70.10	59.94	66.04	55.62	48.26	82.00
FAP—50—07# 4	50	2.54 mm	82.80	72.64	78.74	68.32	60.96	93.80
FAP—60—07# 4	60	2.54 mm	95.50	85.34	91.44	81.02	73.66	106.50
FAP—64—07# 4	64	2.54 mm	100.58	90.42	96.52	86.10	78.74	112.00

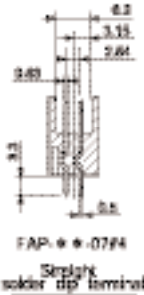
FAP SERIES

APPLICABLE DIMENSIONS (reference only)

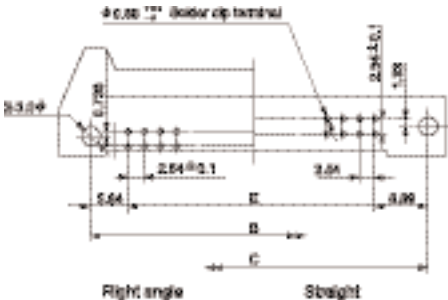
Connector Outline Dimensions



Contact Detail



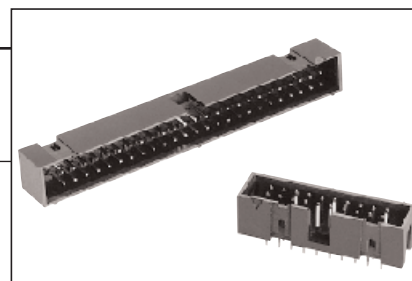
PCB Layout



FA Connectors

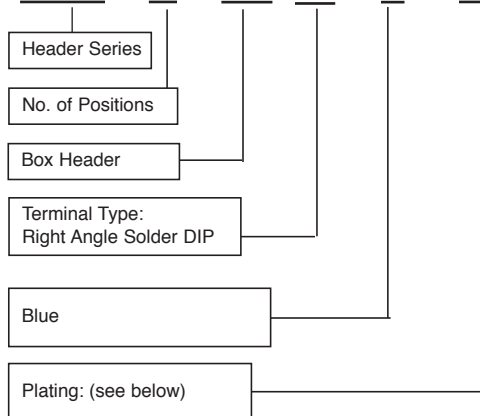
Box Header (2.54mm, Right Angle, Solder Dip)

FAP SERIES



ORDERING INFORMATION

FAP - ** - 08 #2 - 2 - 0BS



Characteristics

Current Rating:	1.0A
Insulation Resistance:	1,000M Minimum at 500 VDC
Withstanding Voltage:	1000 VAC for 1 minute
Contact Resistance:	30m Max. at 10mA
Operating Temperature:	-20°C ~ +105°C

Material and Finish

Insulator:	High Temp Thermoplastic-UL94V-0
Contact:	Copper Alloy
Plating:	Mating Face Contacts: Au over Ni Terminals: SnPb over Ni

Features

1. Right angle terminals
2. Central polarizing key

TYPES OF PLATING

FAP Series

Plating Type	Plating Type	Mating Face	Terminals
BS	Ni 2.5 ~ 4.5 μm	Au 0.30 μm Min.	SnPb 2-4 μm

CONNECTOR DIMENSIONS (reference only)

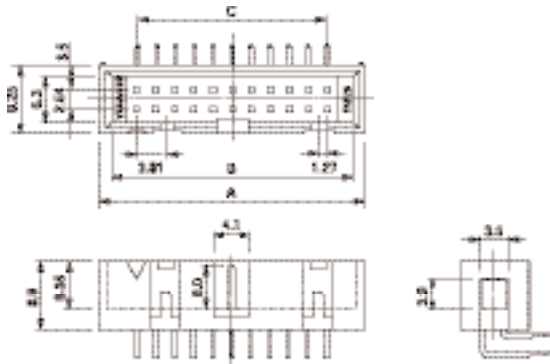
FAP Series

Part Number	No. of Positions	Pitch	A	B	C
FAP-16-08-2-2-0BS	16	2.54 mm	27.90	25.50	17.78
FAP-20-08-2-2-0BS	20	2.54 mm	33.00	30.60	22.86
FAP-26-08-2-2-0BS	26	2.54 mm	40.60	38.20	30.48
FAP-34-08-2-2-0BS	34	2.54 mm	50.80	48.40	40.64
FAP-40-08-2-2-0BS	40	2.54 mm	58.40	56.00	48.26
FAP-50-08-2-2-0BS	50	2.54 mm	71.10	68.70	60.96
FAP-60-08-2-2-0BS	60	2.54 mm	83.80	81.40	73.66
FAP-64-08-2-2-0BS	64	2.54 mm	88.90	86.50	78.74

FAP SERIES

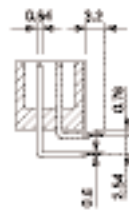
APPLICABLE DIMENSIONS *(reference only)*

Connector Outline Dimensions

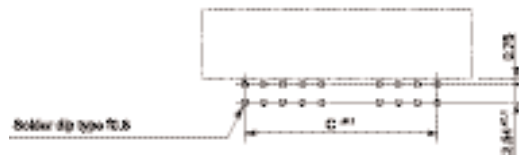


Contact Detail

Solder dip terminal

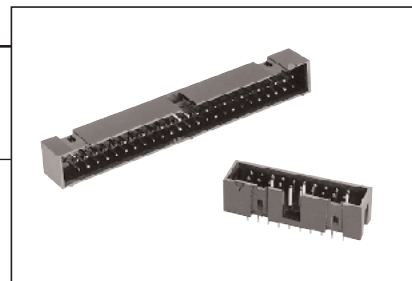


PCB Layout



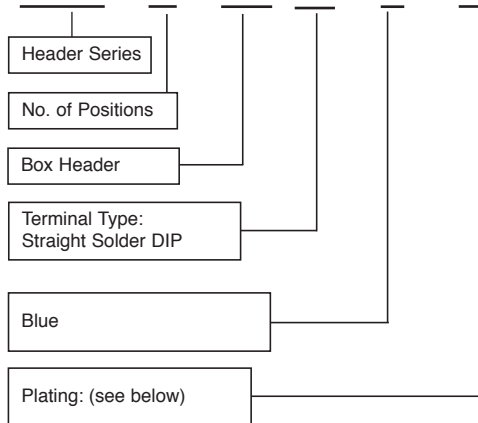
Box Header (2.54mm, Straight, Solder Dip)

FAP SERIES



ORDERING INFORMATION

FAP - ** - 08 #4 - 2 - OBS



Characteristics

Current Rating:	1.0A
Insulation Resistance:	1,000M Minimum at 500 VDC
Withstanding Voltage:	1000 VAC for 1 minute
Contact Resistance:	30m Max. at 10mA
Operating Temperature:	-20°C ~ +105°C

Material and Finish

Insulator:	High Temp Thermoplastic-UL94V-0
Contact:	Copper Alloy
Plating:	Mating Face Contacts: Au over Ni Terminals: SnPb over Ni

Features

1. Straight terminals
2. Central polarizing key

TYPES OF PLATING

FAP Series

Plating Type	Plating Type	Mating Face	Terminals
BS	Ni 2.5 ~ 4.5 µm	Au 0.30 µm Min.	SnPb 2-4 µm

CONNECTOR DIMENSIONS (reference only)

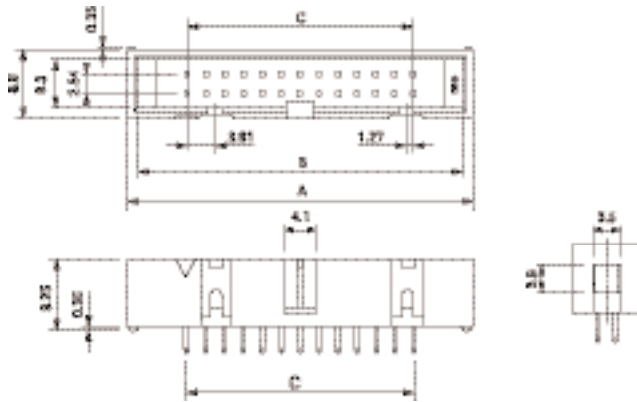
FAP Series

Part Number	No. of Positions	Pitch	A	B	C
FAP-16-08-4-2-0BS	16	2.54 mm	27.90	25.50	17.78
FAP-20-08-4-2-0BS	20	2.54 mm	33.00	30.60	22.86
FAP-26-08-4-2-0BS	26	2.54 mm	40.60	38.20	30.48
FAP-34-08-4-2-0BS	34	2.54 mm	50.80	48.40	40.64
FAP-40-08-4-2-0BS	40	2.54 mm	58.40	56.00	48.26
FAP-50-08-4-2-0BS	50	2.54 mm	71.10	68.70	60.96
FAP-60-08-4-2-0BS	60	2.54 mm	83.80	81.40	73.66
FAP-64-08-4-2-0BS	64	2.54 mm	88.90	86.50	78.74

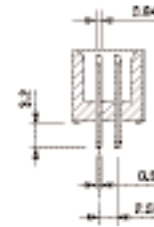
FAP SERIES

APPLICABLE DIMENSIONS *(reference only)*

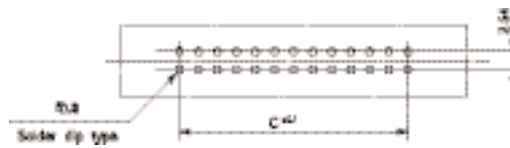
Connector Outline Dimensions



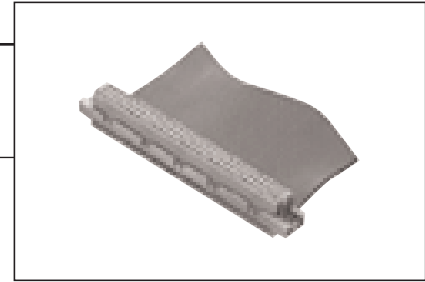
Contact Detail



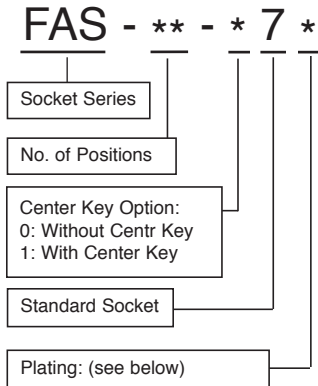
PCB Layout



FAS SERIES



ORDERING INFORMATION



Characteristics

Current Rating:	1A
Insulation Resistance:	1,000M Minimum at 500 VDC
Withstanding Voltage:	1000 VAC for 1 minute
Contact Resistance:	30m Max. at 10mA
Operating Temperature:	-20°C ~ +105°C

Material and Finish

Insulator:	High Temp Thermoplastic-UL94V-0
Contact:	Copper Alloy
Plating:	Mating Face Contacts: Au over Ni Terminals: Au over Ni
Accessories:	Strain reliefs (see page 86)

Features

1. IDC contact allows termination of 0.635mm pitch cable
2. Strain relief preventa kinking and caving
3. Central polarizing key

TYPES OF PLATING

FAS Series

Plating Type	Plating Type	Mating Face	Terminals
	Ni 2.5 ~ 4.5 µm	Au 0.30 µm Min.	Au 0.05 µm Min.

CONNECTOR DIMENSIONS (reference only)

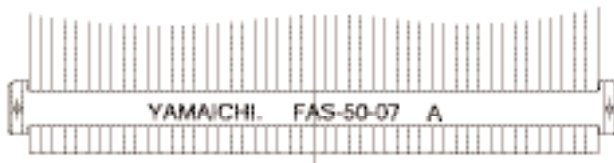
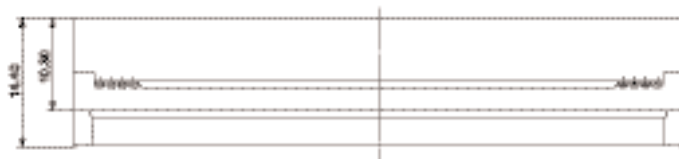
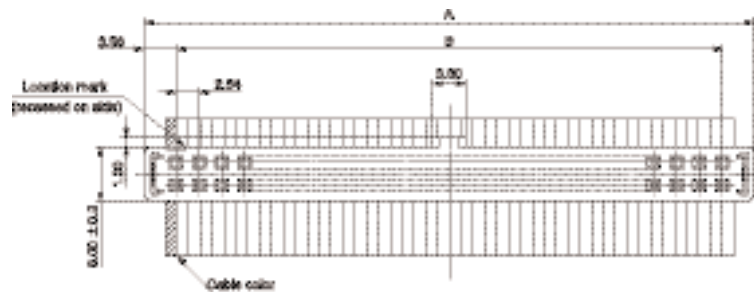
FAS Series

Part Number	No. of Positions	Pitch	A	B
FAS-10-*7	10	2.54 mm	17.28	10.16
FAS-16-*7	16	2.54 mm	24.90	17.78
FAS-20-*7	20	2.54 mm	29.98	22.86
FAS-26-*7	26	2.54 mm	37.60	30.48
FAS-34-*7	34	2.54 mm	47.76	40.64
FAS-40-*7	40	2.54 mm	55.38	48.26
FAS-50-*7	50	2.54 mm	68.08	60.96
FAS-60-*7	60	2.54 mm	80.78	73.99
FAS-64-*7	64	2.54 mm	85.86	78.74

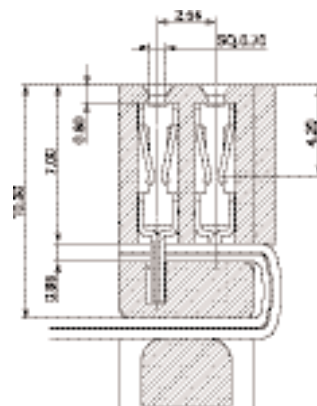
FAS SERIES

APPLICABLE DIMENSIONS (reference only)

Connector Outline Dimensions



Contact Detail



FA Connectors

DIN41612 IDC Receptacle (2.54mm)

FNS SERIES



ORDERING INFORMATION

FNS13 - 064 00- 0* **

Socket Series

No. of Positions

Standard Socket

0: Without Strain Relief
1: With Strain Relief

Plating: (see below)

Characteristics

Current Rating: 1A
 Insulation Resistance: 10⁹M | Minimum at 500 VDC
 Withstanding Voltage: 1000 VAC for 1 minute
 Contact Resistance: 20m | Max. at 10mA
 Operating Temperature: -65°C ~ +85°C

Material and Finish

Insulator: High Temp Thermoplastic-UL94V-0
 Contact: Copper Alloy
 Plating: Mating Face Contacts: Au over Ni
 Terminals: SnPb over Ni

Accessories: Strain reliefs (see page 86)

Features

1. IDC contact allows termination of 1.27mm pitch flat cable
2. Conforms to DIN41612 standards
3. Strain relief prevents kinking and caving

TYPES OF PLATING

FNS Series

Plating Type	Plating Type	Mating Face	Terminals
AS	Ni 2.5 ~ 4.5 μm	Au 0.76 μm Min.	SnPb 2.0 ~ 4.0 μm
BS	Ni 2.5 ~ 4.5 μm	Au 0.30 μm Min.	SnPb 2.0 ~ 4.0 μm

CONNECTOR DIMENSIONS *(reference only)*

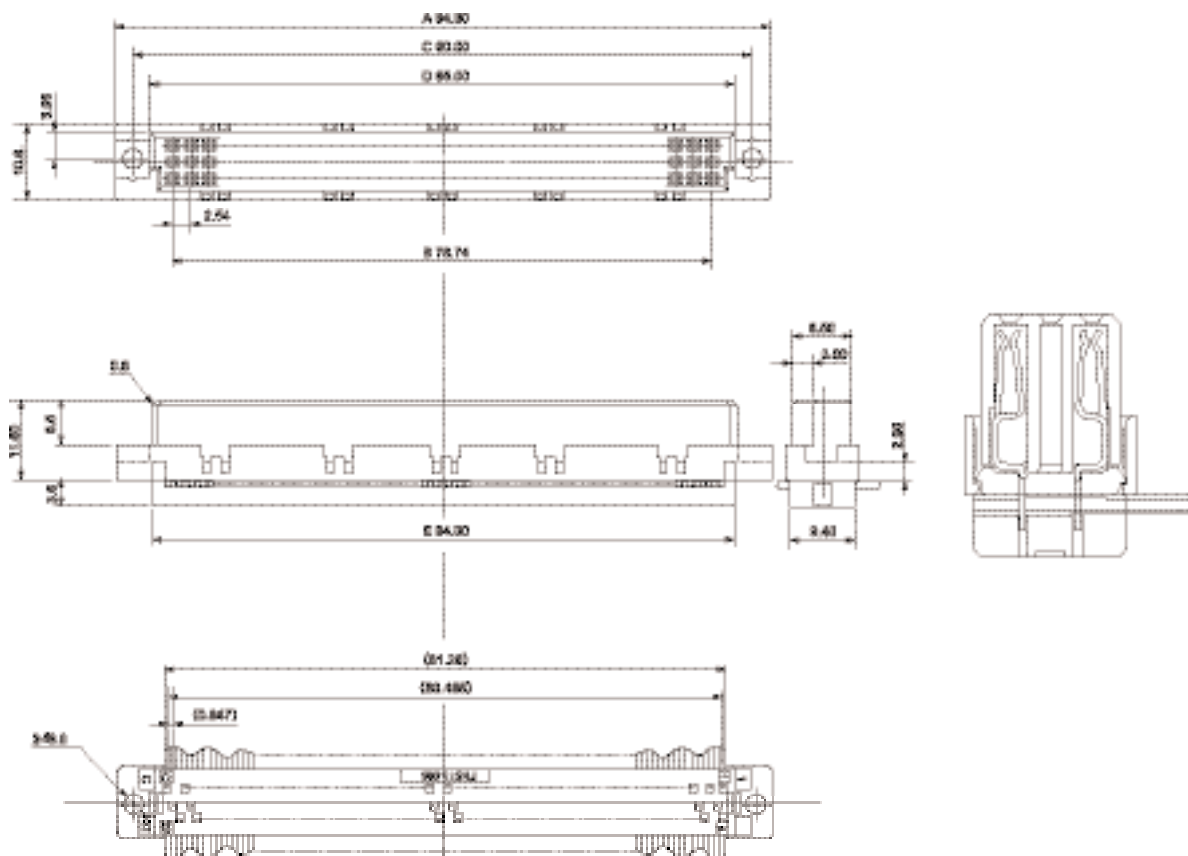
FNS Series

Part Number	No. of Positions	Pitch	A	B	C	D	E
FNS13-06400-0***	64	2.54 mm	94.90	78.74	90.00	85.00	84.00

FNS SERIES

APPLICABLE DIMENSIONS *(reference only)*

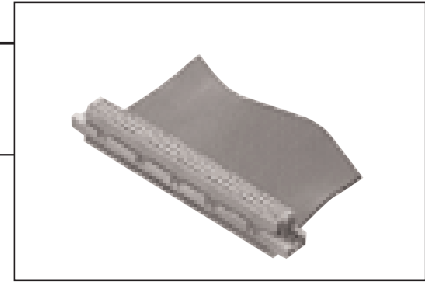
Connector Outline Dimensions



FA Connectors

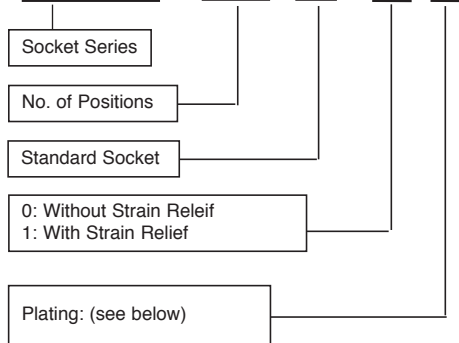
DIN41612 IDC Receptacle (2.54mm)

FNS SERIES



ORDERING INFORMATION

FNS13 - 096 00- 0* **



Characteristics

Current Rating:	1A
Insulation Resistance:	10 ⁹ M Minimum at 500 VDC
Withstanding Voltage:	1000 VAC for 1 minute
Contact Resistance:	20m Max. at 10mA
Operating Temperature:	-65°C ~ +85°C

Material and Finish

Insulator:	High Temp Thermoplastic-UL94V-0
Contact:	Copper Alloy
Plating:	Mating Face Contacts: Au over Ni Terminals: SnPb over Ni

Accessories: Strain reliefs (see page 86)

Features

1. IDC contact allows termination of 1.27mm pitch flat cable
2. Conforms to DIN41612 standards
3. Strain relief prevents kinking and caving

TYPES OF PLATING

FNS Series

Plating Type	Plating Type	Mating Face	Terminals
AS	Ni 2.5 ~ 4.5 μm	Au 0.76 μm Min.	SnPb 2.0 ~ 4.0 μm
BS	Ni 2.5 ~ 4.5 μm	Au 0.30 μm Min.	SnPb 2.0 ~ 4.0 μm

CONNECTOR DIMENSIONS (reference only)

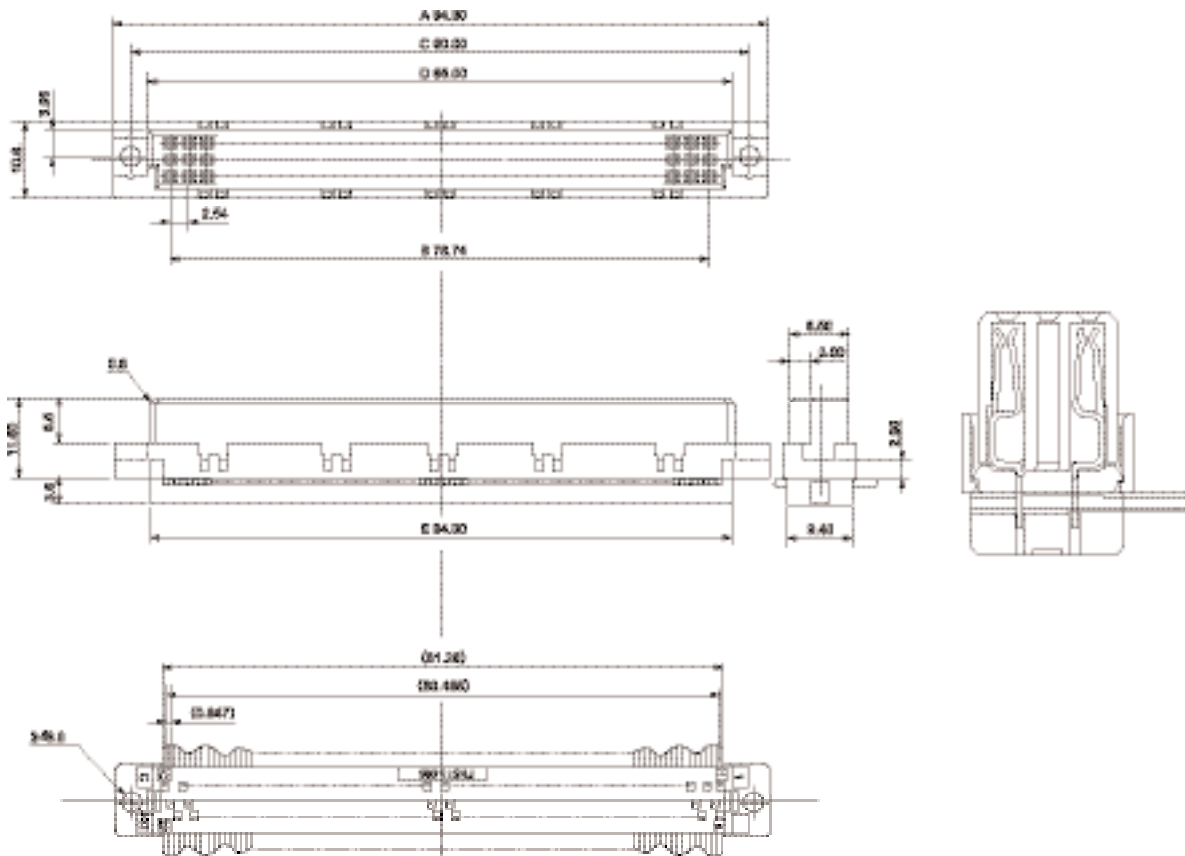
FNS Series

Part Number	No. of Positions	Pitch	A	B	C	D	E
FNS13-09600-0***	96	2.54 mm	95.00	78.74	90.00	85.00	84.00

FNS SERIES

APPLICABLE DIMENSIONS *(reference only)*

Connector Outline Dimensions



Connector Accessories

IDC RECEPTACLE (1.27mm) CONNECTOR SERIES

STRAIN RELIEF

<i>NFS SOCKET CONNECTOR P/N</i>	<i>STRAIN RELIEF P/N</i>
NFS-10A-0111--**	NFS10A-0001
NFS-16A-0111--**	NFS16A-0001
NFS-20A-0111--**	NFS20A-0001
NFS-26A-0111--**	NFS26A-0001
NFS-34A-0111--**	NFS34A-0001
NFS-40A-0111--**	NFS40A-0001
NFS-50A-0111--**	NFS50A-0001
NFS-60A-0111--**	NFS60A-0001
NFS-64A-0111--**	NFS64A-0001
NFS-68A-0111--**	NFS68A-0001
NFS-80A-0111--**	NFS80A-0001
NFS-100A-0111--**	NFS100A-0001

DIN41612 IDC RECEPTACLE (1.27mm) CONNECTOR SERIES

STRAIN RELIEF

<i>FNS SOCKET CONNECTOR P/N</i>	<i>FNS STRAIN RELIEF P/N</i>
FNS13-06400-01**	FNS13-06400 - Strain Relief
FNS13-09600-01**	FNS13-09600 - Strain Relief