

MATERIALS AND FINISHES

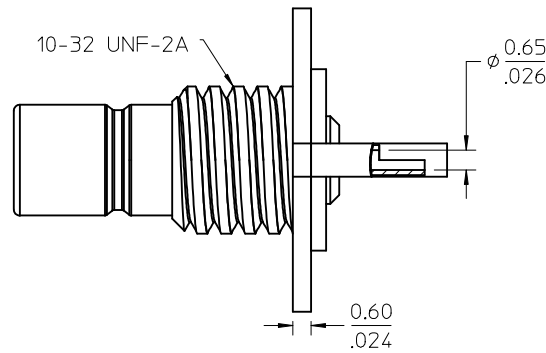
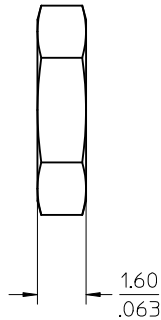
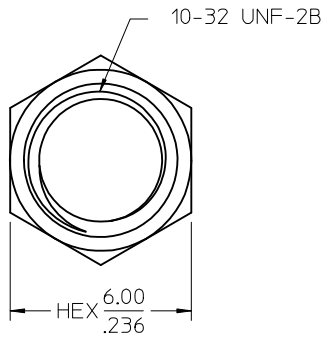
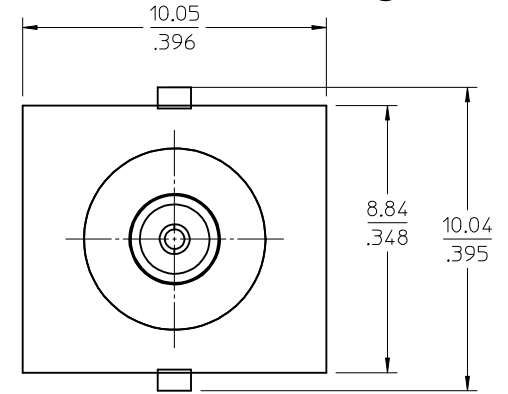
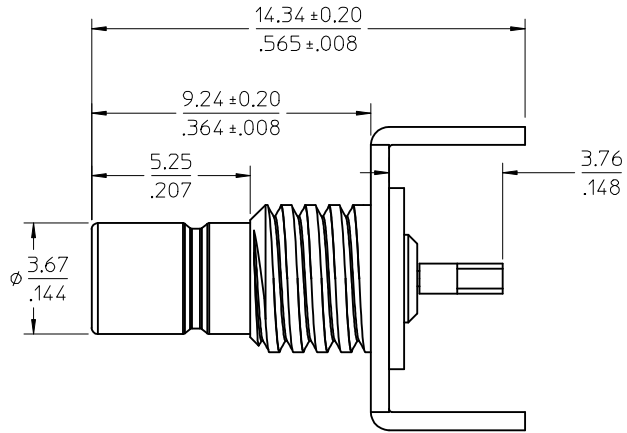
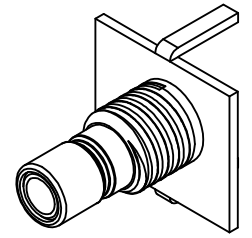
BODY BRASS
PLATED GOLD

PLUG CONTACT BRASS
PLATED GOLD

INSULATOR TEFLON

FLANGE PHOSPHOR BRONZE
PLATED TIN

NUT BRASS
PLATE GOLD



CHG:DWG UPDATE
PER RF14-E005
EC NO: URF2013-0670
DRAWN:LIN 2013/06/19
CHKD:
APPR:MHUANG 2013/07/10

REV	DESCRIPTION
C1	

QUALITY SYMBOLS	
	= 0
	= 0
	= 0

GENERAL TOLERANCES (UNLESS SPECIFIED)	
	mm INCH
4 PLACES	± .005 ± .002
3 PLACES	± .005 ± .002
2 PLACES	± .005 ± .002
1 PLACE	± .005 ± .002
0 PLACE	± .005 ± .002
ANGULAR ± 2 °	
DRAFT WHERE APPLICABLE MUST REMAIN WITHIN DIMENSIONS	

DIMENSION STYLE		SCALE	DESIGN UNITS	THIRD ANGLE PROJECTION
MM/IN			METRIC	
DRAWN BY	DATE	TITLE		
EL IN	2013/06/19	SPECIAL 75 OHMS SMB STR. JACK BULKHEAD 2 LEG PCB SMB-J/PCB		
CHECKED BY	DATE	molex		
XXXXXX	1994/11/15			
APPROVED BY	DATE	MATERIAL NO.	DOCUMENT NO.	SHEET NO.
MHUANG	2013/07/10	731000158	SD-73100-0158	1 OF 1
THIS DRAWING CONTAINS INFORMATION THAT IS PROPRIETARY TO MOLEX INCORPORATED AND SHOULD NOT BE USED WITHOUT WRITTEN PERMISSION				

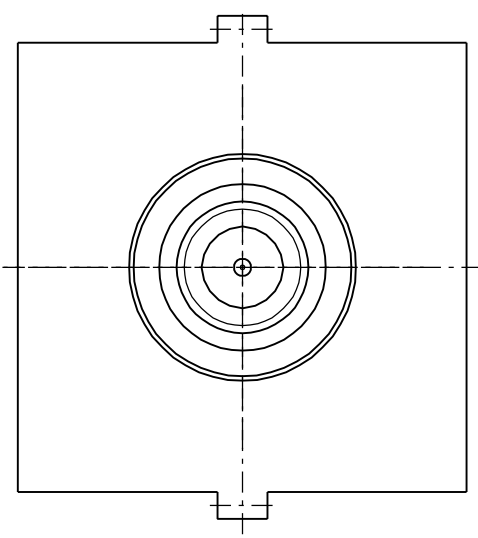
ENG. NO.

EDP NO.

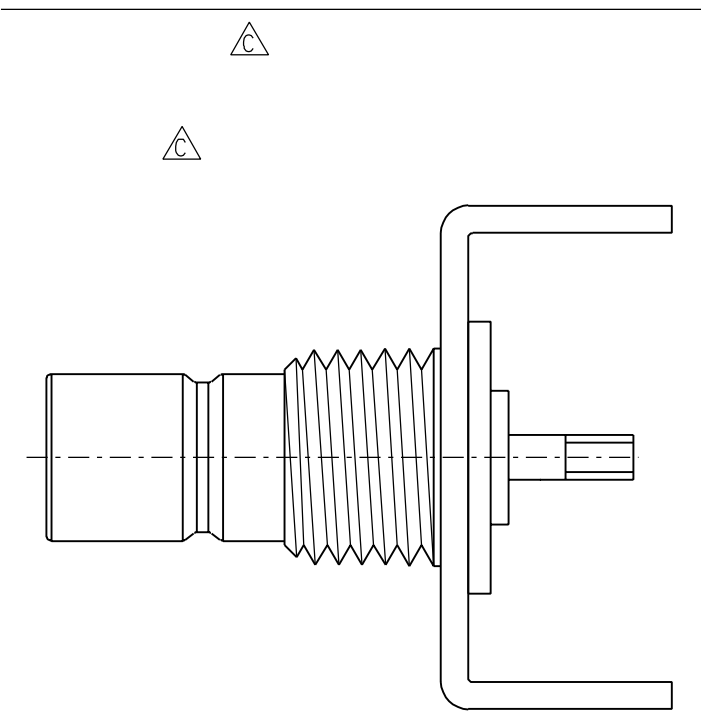
SIMILAR ITEM

CADFILE NO.

DO NOT SCALE DRAWING



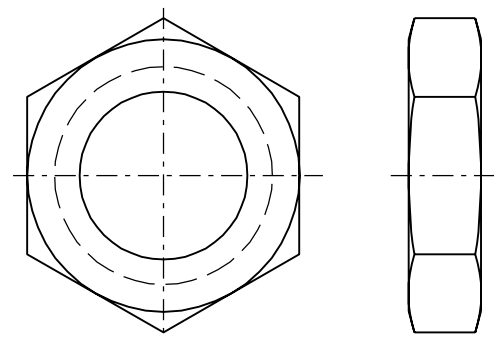
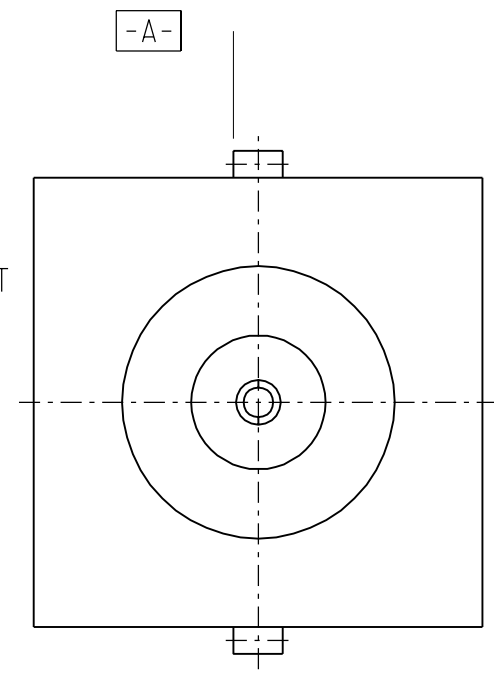
TYP.



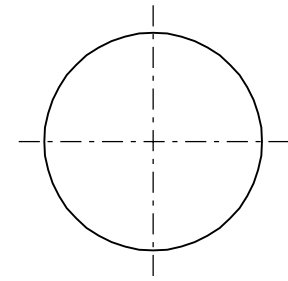
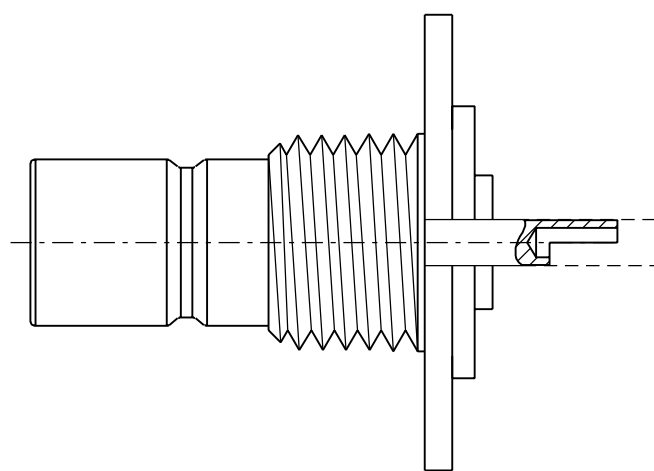
SPECIAL 75 OHM SMB JACK ASSEMBLY

SLOT ALIGNMENT

∥ A 0.15



NUT



RECOMMENDED PANEL MOUNTING HOLE
 PANEL THICKNESS: 1.775±0.025
 MOUNTING TORQUE: 7-10 INCH/POUNDS

CONSTRUCTION :

- BODY -----BRASS
- DIELECTRIC -----TEFLON
- CONTACT -----BRASS
- FLANGE -----PHOSPHOR BRONZE
- NUT -----BRASS

FINISH:

- BODY -----GOLD PLATING
- CONTACT -----GOLD PLATING
- FLANGE -----TIN PLATING (200-400)Å
- NUT -----GOLD PLATING

MECHANICAL AND ELECTRICAL CHARACTERISTICS:

△ PER PRODUCT SPECIFICATION: PS-73598-0093
 (INSERTION LOSS IS NOT APPLICABLE)

MATERIAL AND FINISHES:

△ PER PRODUCT SPECIFICATION: PS-73598-0093

PACKAGING :

△ TRAY

					MATERIAL :		MOLEX TAIWAN LTD. (R.F. DIVISION)
					FINISH :		
					SCALE : 6:1	UNIT : mm(INCH)	
C	Chg To 2 Length Dims	0562	<i>R. Field</i>	95/7/31	DRAWN BY : <i>R. Field</i> 94/11/15		GENERAL TOLERANCES ANGLE : ± 3° DIM. ± 0.25 (±.01)
B	Chg To: TRAY PKG	0538	<i>R. Field</i>	95/3/13	CHK'D BY :		DRW. NO.: SDA-73100-0158
A	RELEASE	0503	<i>R. Field</i>	95/2/10	APPR'D BY :		REV C
LTR	REVISION RECORD	ECN	DR	DATE			TITLE : SPECIAL 75 OHM SMB STRAIGHT JACK BULKHEAD (2-LEG) PCB RECEPTACLE
STANDARD ITEM					<input type="checkbox"/> YES <input checked="" type="checkbox"/> NO		SHEET OF