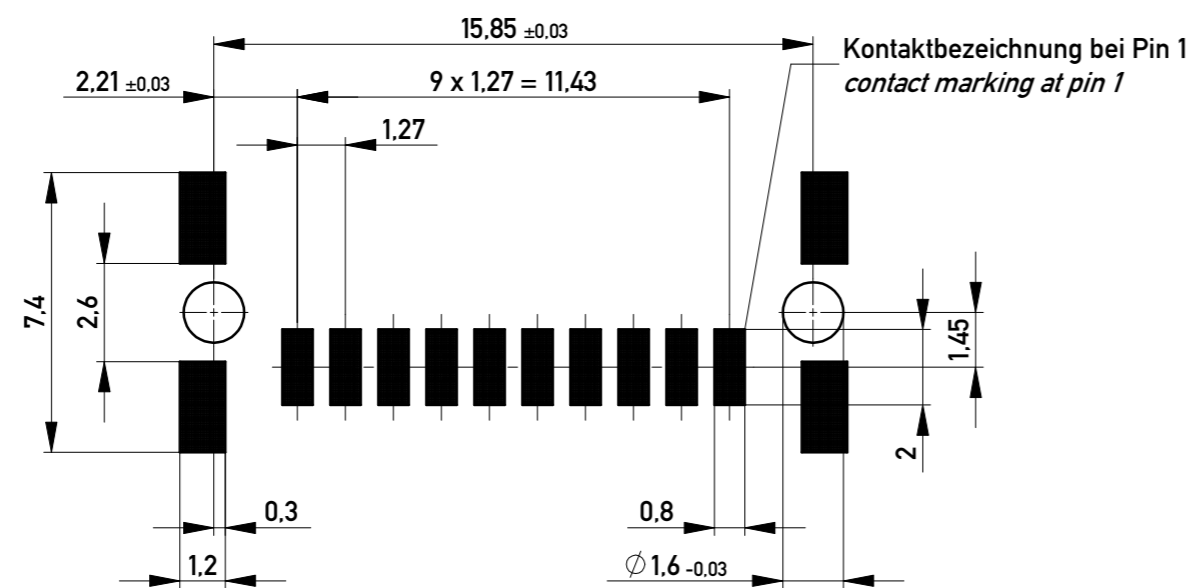
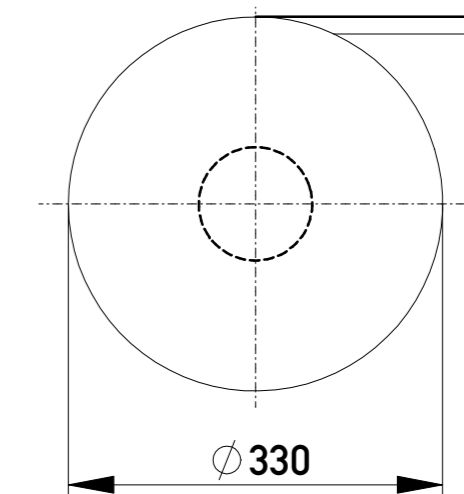


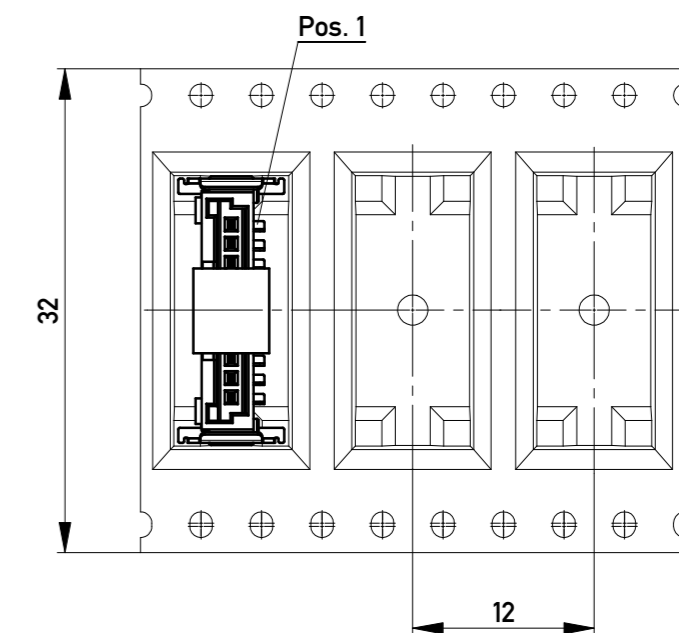
**Leiterplatten-Layout für SMT**  
**PCB-Layout for SMT**



Verpackt im Gurt in Anlehnung an DIN IEC 60286-3  
tape on reel packaging according to DIN IEC 60286-3  
Verpackungseinheit: 650 Stück  
packaging unit: 650 pcs



Abspulrichtung - reel off direction



Anforderungsstufe 1  
performance level 1  
Kontaktbereich vergoldet  
mating area gold plating  
Anschlussbereich verzinkt 4-6 µm  
terminal area 4-6 µm tin plating  
Koplanarität der Anschlüsse ≤ 0.1 mm  
coplanarity area of termination ≤ 0.1 mm

Für die Anforderung nach PG 9 der LV214  
(Koshiri-Sicherheit)  
For the requirement of the LV214 PG 9  
(Koshiri-security)

Scale 5:1

Designation  
**M 1,27 SRC P, 10-polig KS**  
**M 1,27 SRC P, 10-pin KS**

**474819**

1  
A2

Information:  All rights reserved. Only for Information. To ensure that this is the latest version of this drawing, please contact one of the ERNI companies before using.	Tolerances  All Dimensions in mm	Subject to modification without prior notice. Drawing will not be updated.	www.ERNI.com	Class	SRCP
				Index	Date

Copyright by ERNI GmbH  
Proprietary notice pursuant to ISO 10304 to be observed.

# Mouser Electronics

Authorized Distributor

Click to View Pricing, Inventory, Delivery & Lifecycle Information:

[ERNI Electronics:](#)

[474819](#)