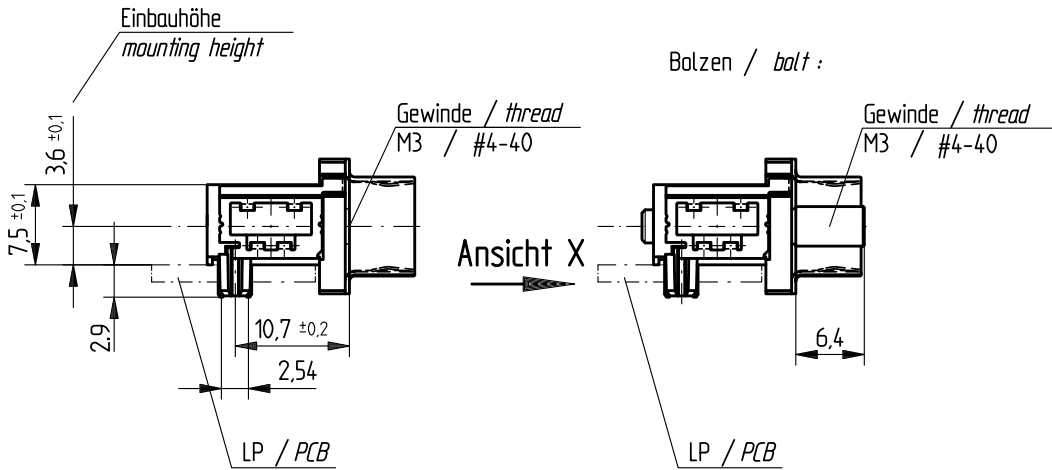
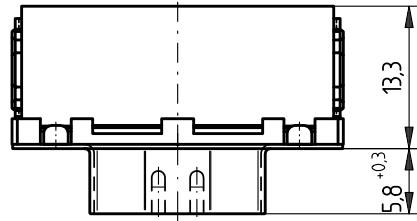
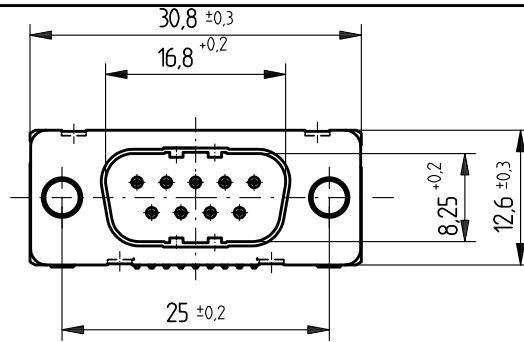
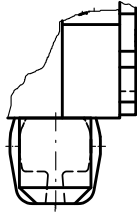


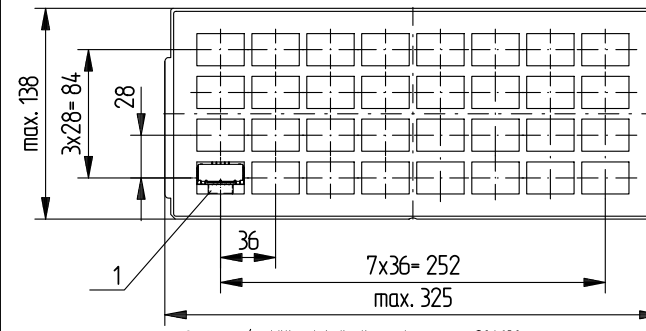
Ansicht X  
M 5:1



Anschlussbereich verzinkt  
terminal area tin plating

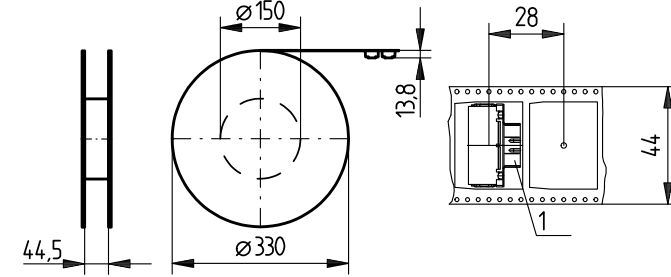
Anforderungsstufe: 2  
class: 2

374052	174408	∅3,2			
223165	154110			#4-40	
	154109			M 3	
	154108	#4-40			
	154107	M 3			
Ident-Nr part-no. tape & reel	Ident-Nr part-no. tray	ohne without	Mutter thread	Bolzen bolt	Bemerkung remark



Verpackt in Tray  
Verpackungseinheit 32 St.  
tray packaging  
packaging unit 32 pcs

sonstige Angaben siehe 204630 / additional indications please see 204630

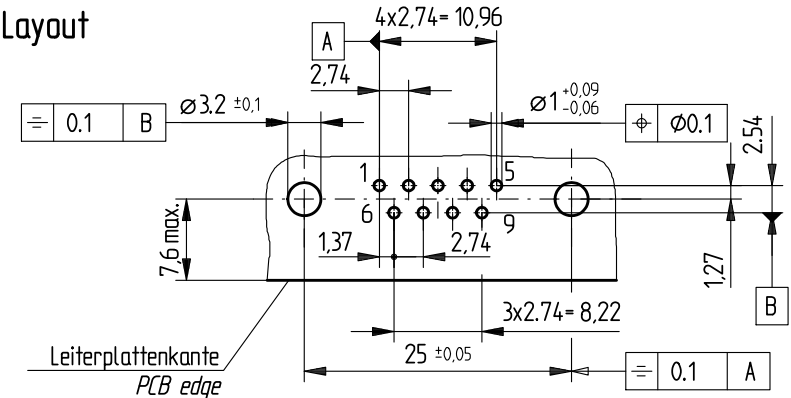


Verpackt in Gurt  
Verpackungseinheit 125 St.  
tape & reel packaging  
packaging unit 125 pcs

Abspulrichtung  
reel off direction

Sonstige Angaben siehe 204656 / Additional indications please see 204656

Layout



sonstige Angaben siehe 204627 / additional indications please see 204627

Fehlende Masse und Angaben siehe DIN 41652 / Missing information and dimensions according to DIN 41652

Sonstige Angaben siehe Fertigungsunterlagen / Additional indications please see the production documentation

Information:	Tolerances	Scale	2:1
All rights reserved. Only for information. To insure that this is the latest version of this drawing, please contact one of the ERNI companies before using.	Subject to modification without prior notice. Drawing will not be updated.	Designation	
		TMC-P 9-THR-EURO TMC-P 9-THR-EURO	
www.ERNI.com		144867	
c	26.11.2008	TMCP	
Index	Date	H:00067121.SZA	

Consider protection memo from DIN 34.

# Mouser Electronics

Authorized Distributor

Click to View Pricing, Inventory, Delivery & Lifecycle Information:

[ERNI Electronics:](#)

[154108](#)