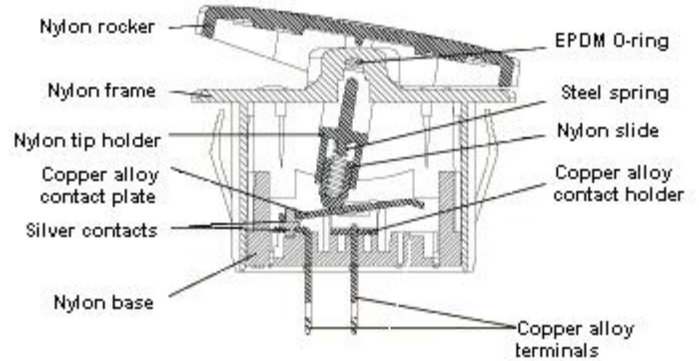


Waterproof Rocker Switch

KM Series



Features

- Enclosed switch complies to IP56
- Available in single or double pole
- Lighted and non-lighted versions
- Maintained and momentary switch functions
- Snap-in mounting
- Mechanical life: 100,000 cycles
- DC electrical life: 25,000 cycles

Electrical Ratings

Switch Series	VDC	Rating	Electrical Life at Rated Load
			(Min. Operations)
KM	21A 14VDC	20A 125VAC; 10A 250VAC	6,000

Electrical Specifications		Material Specifications	
Ratings:	20A 125VAC; 10A 250VAC 21A 14VDC	Actuator:	Soft Material Molded Polycarbonate Lens
Dielectric Strength:	1500VAC for 1 minute	Housing:	Nylon 66 94V-2
Insulation Resistance:	100M Ω min at 500VDC	Bezel:	Nylon 66 with 33% Glass Fiber
Initial Contact Resistance:	0.050 ohms max	Spring:	Steel
Temperature Range:	-25°C to + 85°C	Contacts:	Silver plated Copper Alloy
Waterproof Rating:	IP56	Movable Arm:	Silver plated Copper Alloy
		Terminals:	Silver plated Copper Alloy

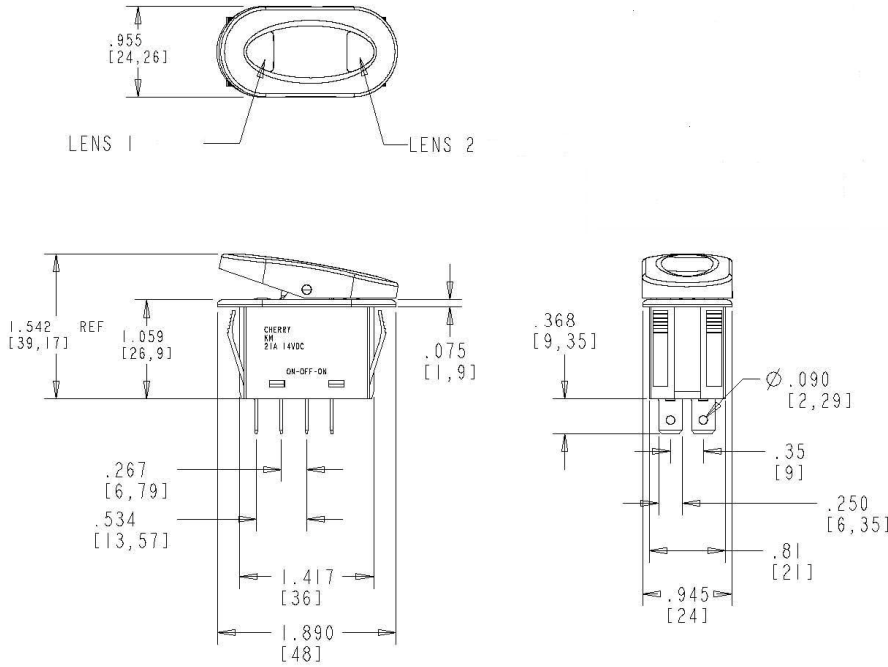
RoHS Compliant

Specifications subject to change without notice.

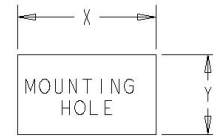
Waterproof Rocker Switch

KM Series

Dimensions Inches (mm)



Recommended Panel Cut-Out Dimensions inches



Z = PANEL THICKNESS

DIM. Z	DIM. X	DIM. Y
.030 TO .049	1.441±.004	.835±.004
.049 TO .079	1.449±.004	.835±.004
.079 TO .118	1.457±.004	.835±.004

Ordering Information

Code	Contact Rating
D	25A 125VAC; 10A 250VAC 21A 14VDC

Code	Circuitry
2	Single Pole
3	Double Pole

Code	Switch Function
A	On - Off
B	On-On
C	On-Off-On
D	(On) - Off
E	On-(Off)
F	On-(On)
H	On-Off-(On)
J	(On)-Off-(On)

Code	Terminal Type
B	0.250 (6.35) Quick Connect

Code	Lighting Options
N	Non-lighted
M	12V LED Dependent
T	12V LED Independent

Code	Actuator Color
B	Black

Code	Actuator Type
1	Non-lighted
7	Single Light
8	Dual Lights

Code	Actuator Marking
B	Blank
D	O -
E	O I
N	O

Code	Housing Color
B	Black

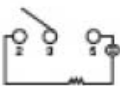
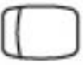


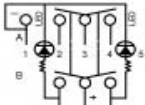

Code	Actuator Color
A	Amber
B	Black
G	Green
L	Blue
R	Red
W	White
N	None

Code	LED's
N	None
1	One LED's
2	Two LED's

Waterproof Rocker Switch

KM Series

Examples of Common Part Numbers and Descriptions inches (mm)

Part Number	Circuitry	Switch Function	Terminal Type	Actuator/ Housing Color	Legend Marking
KMD2AMB7BBBNR1		On-Off	0.250 (6.3) Quick-Connect	Black/Black (Red Lens)	
KMD2CNB1BBNNNN		On-Off-On	0.250 (6.3) Quick-Connect	Black/Black	
KMD3CMB8BBBGRG2		On-Off-On	0.250 (6.3) Quick-Connect	Black/Black (Red & Green Lens)	

Contact

Call, fax or visit our
Website for more information.

ZF Electronics Corporation
11200 88th Avenue
Pleasant Prairie, WI 53158

Phone: 262.942.6500
Web: www.cherrycorp.com
Email: cep_sales@zf.com
Fax: 262.942.6566

The manufacturer accepts no
liability for errors or non-availability,
and reserves the right to change
specifications without prior notice.

Technical data relates to product
specifications only. Features may
differ from those described. Only
drawings combined with product
specifications shall be deemed
binding.

© 2007 ZF Electronics Corporation

Last Updated:072712

