

1-583616-0 ✓ ACTIVE

AMP | AMP Twin-Leaf

TE Internal #: 1-583616-0

Socket Contact, Gold, Locking Lance Contact Retention, Discrete Wire, 28 – 24 AWG Wire Size, .08 – .24 mm<sup>2</sup> Wire Size, AMP Twin-Leaf

[View on TE.com >](#)



Connectors > Contacts > Connector Contacts



Contact Type: **Socket**

Contact Mating Area Plating Material: **Gold**

Wire Contact Termination Area Plating Material: **Gold Flash**

Contact Retention Within Housing: **With**

Contact Retention Type Within Housing: **Locking Lance**

## Features

### Product Type Features

Discrete Wire Type	Stranded
--------------------	----------

### Configuration Features

Compatible With Wire & Cable Type	Discrete Wire
-----------------------------------	---------------

### Contact Features

Contact Underplating Material Thickness	.76 µm[30 µin]
Contact Mating Area Plating Material Thickness	.38 µm[15 µin]
Contact Length	17.27 mm[.68 in]
Contact Orientation	Straight
Contact Underplating Material	Nickel
PCB Contact Termination Area Plating Material	Gold Flash
Barrel Type	Open
Contact Type	Socket
Contact Mating Area Plating Material	Gold
Wire Contact Termination Area Plating Material	Gold Flash



Contact Retention Within Housing	With
Contact Base Material	Phosphor Bronze
Contact Current Rating (Max)	5 A

#### Termination Features

Termination Method to Wire & Cable	Crimp
Product Terminates To	Wire & Cable

#### Mechanical Attachment

Wire Insulation Support	With
Contact Retention Type Within Housing	Locking Lance

#### Dimensions

Compatible Insulation Diameter Range	.89 – 1.4 mm [.035 – .055 in]
Wire Size	159.8 – 642.4 CMA

#### Usage Conditions

Operating Temperature Range	-55 – 105 °C [-67 – 221 °F]
-----------------------------	-----------------------------

#### Operation/Application

Circuit Application	Power & Signal
---------------------	----------------

#### Identification Marking

Contact Color Code	Orange
--------------------	--------

#### Packaging Features

Packaging Quantity	7000
Packaging Method	Reel & Box

#### Product Compliance

[For compliance documentation, visit the product page on TE.com>](#)

EU RoHS Directive 2011/65/EU	Compliant
EU ELV Directive 2000/53/EC	Compliant
China RoHS 2 Directive MIIT Order No 32, 2016	No Restricted Materials Above Threshold
EU REACH Regulation (EC) No. 1907/2006	Current ECHA Candidate List: JUNE 2024 (241) Candidate List Declared Against: JUNE 2024 (241) Does not contain REACH SVHC
Halogen Content	Low Halogen - Br, Cl, F, I < 900 ppm per homogenous material. Also BFR/CFR/PVC

Free

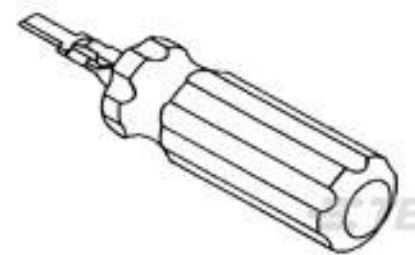
Solder Process Capability

Not applicable for solder process capability

Product Compliance Disclaimer

This information is provided based on reasonable inquiry of our suppliers and represents our current actual knowledge based on the information they provided. This information is subject to change. The part numbers that TE has identified as EU RoHS compliant have a maximum concentration of 0.1% by weight in homogenous materials for lead, hexavalent chromium, mercury, PBB, PBDE, DBP, BBP, DEHP, DIBP, and 0.01% for cadmium, or qualify for an exemption to these limits as defined in the Annexes of Directive 2011/65/EU (RoHS2). Finished electrical and electronic equipment products will be CE marked as required by Directive 2011/65/EU. Components may not be CE marked. Additionally, the part numbers that TE has identified as EU ELV compliant have a maximum concentration of 0.1% by weight in homogenous materials for lead, hexavalent chromium, and mercury, and 0.01% for cadmium, or qualify for an exemption to these limits as defined in the Annexes of Directive 2000/53/EC (ELV). Regarding the REACH Regulation, the information TE provides on SVHC in articles for this part number is based on the latest European Chemicals Agency (ECHA) 'Guidance on requirements for substances in articles' posted at this URL: <https://echa.europa.eu/guidance-documents/guidance-on-reach>

### Compatible Parts



TE Part # 91073-1  
TW LF EXT TOOL



TE Part # 2151967-1  
OCEAN\_2.0\_Applicator-S-042F062O-RSM




TE Part # 2151967-2  
OCEAN\_2.0\_Applicator-S-042F062O-RSA




TE Part # 7-2151967-7  
OCEAN\_2.0\_SPARE\_PART\_KIT-042F062O

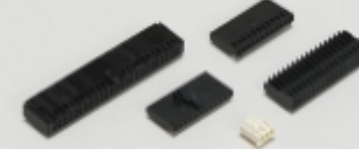
### Also in the Series | AMP Twin-Leaf



Connector Contacts(15)



Insertion & Extraction Tools(1)



Wire-to-Board Connector Assemblies & Housings(17)

### Customers Also Bought



TE Part #7-215464-4  
04P.MICRO-MATCH MOB



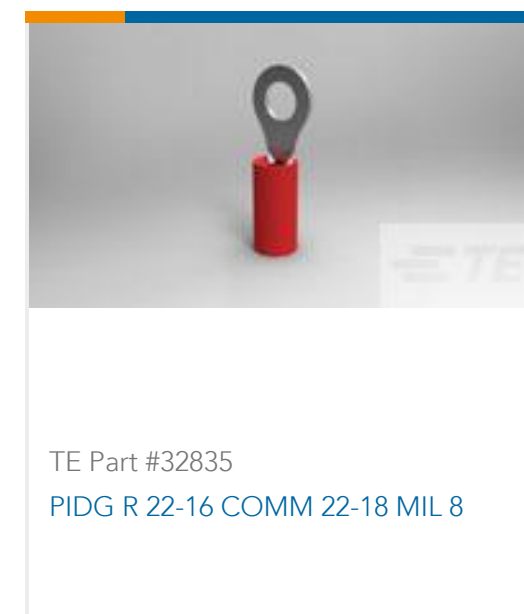
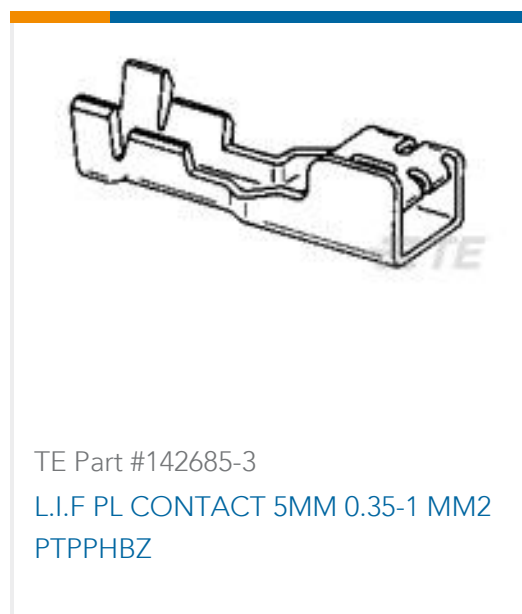
TE Part #2-320861-1  
TERMINAL,PIDG SPD FLG 16-14 6



TE Part #1-353293-9  
MINI CT MT REC ASSY 19P GRAY



TE Part #63512-1  
187 FASTON FLAG REC 18-14 AWG BR



## Documents

### Product Drawings

[CONT.CRP.SNAP TW.LF. STRIP](#)

English

### CAD Files

[3D PDF](#)

3D

Customer View Model

[ENG\\_CVM\\_CVM\\_1-583616-0\\_BM.2d\\_dxf.zip](#)

English

Customer View Model

[ENG\\_CVM\\_CVM\\_1-583616-0\\_BM.3d\\_igs.zip](#)

English

Customer View Model

[ENG\\_CVM\\_CVM\\_1-583616-0\\_BM.3d\\_stp.zip](#)

English

By downloading the CAD file I accept and agree to the [Terms and Conditions](#) of use.

### Product Specifications

[Application Specification](#)

English