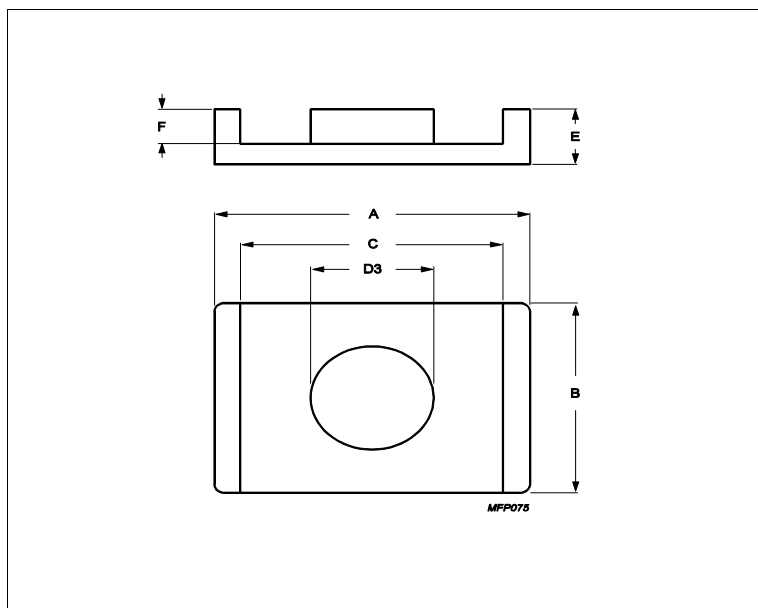


## Core **ER32/6/25**



Effective parameters			
	Parameter	Value	Unit
$\Sigma(I/A)$	core factor (C1)	0.27	mm <sup>-1</sup>
<b>Ve</b>	effective volume	5400	mm <sup>3</sup>
<b>Le</b>	effective length	38.2	mm
<b>Ae</b>	effective area	141	mm <sup>2</sup>
<b>Amin</b>	minimum area	121	mm <sup>2</sup>
<b>m</b>	ER32/6/25	≈ 16	g/pcs

**Dimensions for product: ER32/6/25**

	Nom	Tol +	Tol -	Max	Min	Unit
<b>A</b>	32.10	0.55	0.45	32.65	31.65	mm
<b>B</b>	25.40	0.40	0.40	25.80	25.00	mm
<b>C</b>	27.20	0.40	0.40	27.60	26.80	mm
<b>D3</b>	12.40	0.15	0.15	12.55	12.25	mm
<b>E</b>	6.00	0.13	0.13	6.13	5.87	mm
<b>F</b>	2.90	0.00	0.25	2.90	2.65	mm

**Inductance factor**

Material	Value	Tol +	Tol -	Unit
3C92	5700	25%	25%	nH/turns <sup>2</sup>
3C95	9640	25%	25%	nH/turns <sup>2</sup>
3C96	7160	25%	25%	nH/turns <sup>2</sup>
3C97	9640	25%	25%	nH/turns <sup>2</sup>
3F36	4900	25%	25%	nH/turns <sup>2</sup>
3F4	3600	25%	25%	nH/turns <sup>2</sup>

**Power loss: 3C92**

Measuring conditions			Max	Unit
100 kHz	200 mT	100 °C	2.700	W/set

**Power loss: 3C95**

Measuring conditions			Max	Unit
100 kHz	200 mT	100 °C	2.600	W/set
100 kHz	200 mT	25 °C	2.800	W/set

## Core **ER32/6/25**

Power loss: 3C96				
Measuring conditions			Max	Unit
100 kHz	200 mT	100 °C	2.400	W/set
400 kHz	50 mT	100 °C	0.970	W/set
Power loss: 3C97				
Measuring conditions			Max	Unit
100 kHz	200 mT	60 °C	2.700	W/set
100 kHz	200 mT	120 °C	2.600	W/set
100 kHz	200 mT	140 °C	3.200	W/set
Power loss: 3F36				
Measuring conditions			Max	Unit
500 kHz	50 mT	100 °C	0.810	W/set
500 kHz	100 mT	100 °C	6.200	W/set
Power loss: 3F4				
Measuring conditions			Max	Unit
1000 kHz	30 mT	100 °C	1.600	W/set
3000 kHz	10 mT	100 °C	2.700	W/set

Bsat					
Measuring conditions			Material	Min	Unit
25 kHz	250 A/m	100 °C	3C92	370	mT
25 kHz	250 A/m	100 °C	3C95	330	mT
25 kHz	250 A/m	100 °C	3C96	340	mT
25 kHz	250 A/m	100 °C	3C97	330	mT
25 kHz	250 A/m	100 °C	3F36	340	mT
25 kHz	250 A/m	100 °C	3F4	330	mT