



Is Now Part of



**ON Semiconductor®**

To learn more about ON Semiconductor, please visit our website at  
[www.onsemi.com](http://www.onsemi.com)

ON Semiconductor and the ON Semiconductor logo are trademarks of Semiconductor Components Industries, LLC dba ON Semiconductor or its subsidiaries in the United States and/or other countries. ON Semiconductor owns the rights to a number of patents, trademarks, copyrights, trade secrets, and other intellectual property. A listing of ON Semiconductor's product/patent coverage may be accessed at [www.onsemi.com/site/pdf/Patent-Marking.pdf](http://www.onsemi.com/site/pdf/Patent-Marking.pdf). ON Semiconductor reserves the right to make changes without further notice to any products herein. ON Semiconductor makes no warranty, representation or guarantee regarding the suitability of its products for any particular purpose, nor does ON Semiconductor assume any liability arising out of the application or use of any product or circuit, and specifically disclaims any and all liability, including without limitation special, consequential or incidental damages. Buyer is responsible for its products and applications using ON Semiconductor products, including compliance with all laws, regulations and safety requirements or standards, regardless of any support or applications information provided by ON Semiconductor. "Typical" parameters which may be provided in ON Semiconductor data sheets and/or specifications can and do vary in different applications and actual performance may vary over time. All operating parameters, including "Typicals" must be validated for each customer application by customer's technical experts. ON Semiconductor does not convey any license under its patent rights nor the rights of others. ON Semiconductor products are not designed, intended, or authorized for use as a critical component in life support systems or any FDA Class 3 medical devices or medical devices with a same or similar classification in a foreign jurisdiction or any devices intended for implantation in the human body. Should Buyer purchase or use ON Semiconductor products for any such unintended or unauthorized application, Buyer shall indemnify and hold ON Semiconductor and its officers, employees, subsidiaries, affiliates, and distributors harmless against all claims, costs, damages, and expenses, and reasonable attorney fees arising out of, directly or indirectly, any claim of personal injury or death associated with such unintended or unauthorized use, even if such claim alleges that ON Semiconductor was negligent regarding the design or manufacture of the part. ON Semiconductor is an Equal Opportunity/Affirmative Action Employer. This literature is subject to all applicable copyright laws and is not for resale in any manner.



# FL103

## Primary-Side-Regulation PWM Controller for LED Illumination

### Features

- Low Standby Power: < 30 mW
- High-Voltage Startup
- Few External Component Counts
- Constant-Voltage (CV) and Constant-Current (CC) Control without Secondary-Feedback Circuitry
- Green-Mode: Linearly-Decreasing PWM Frequency
- Fixed PWM Frequency at 50 kHz and 33 kHz with Frequency Hopping to Solve EMI Problems
- Peak-Current-Mode Control in CV Mode
- Cycle-by-Cycle Current Limiting
- V<sub>DD</sub> Over-Voltage Protection (OVP)
- V<sub>DD</sub> Under-Voltage Lockout (UVLO)
- Adjustable Brownout Detector
- Gate Output Maximum Voltage Clamped at 15 V
- Thermal Shutdown (TSD) Protection
- Available in the 8-Lead SOIC Package
- Application Voltage Range: 80 V<sub>AC</sub> ~ 308 V<sub>AC</sub>

### Applications

- LED Illumination
- Battery chargers for cellular phones, cordless phones, PDA, digital cameras, power tools

### Description

This third-generation Primary-Side-Regulation (PSR) and highly integrated PWM controller provides features to enhance the performance of LED illumination.

The proprietary topology, TRUECURRENT<sup>®</sup>, enables precise CC regulation and simplified circuit for LED illumination applications. The result is lower-cost and smaller LED lighting compared to a conventional design or a linear transformer.

To minimize standby power consumption, the proprietary green-mode function provides off-time modulation to linearly decrease PWM frequency under light-load conditions. Green mode assists the power supply in meeting the power conservation requirements.

By using the FL103, LED illumination can be implemented with few external components and minimized cost.



Figure 1. 8-Lead SOIC

### Ordering Information

Part Number	Operating Temperature Range	Top Mark	Package	Packing Method
FL103M	-40°C to +125°C	FL103	8-Lead, Small-Outline Package (SOIC-8)	Tape & Reel

### Application Diagram

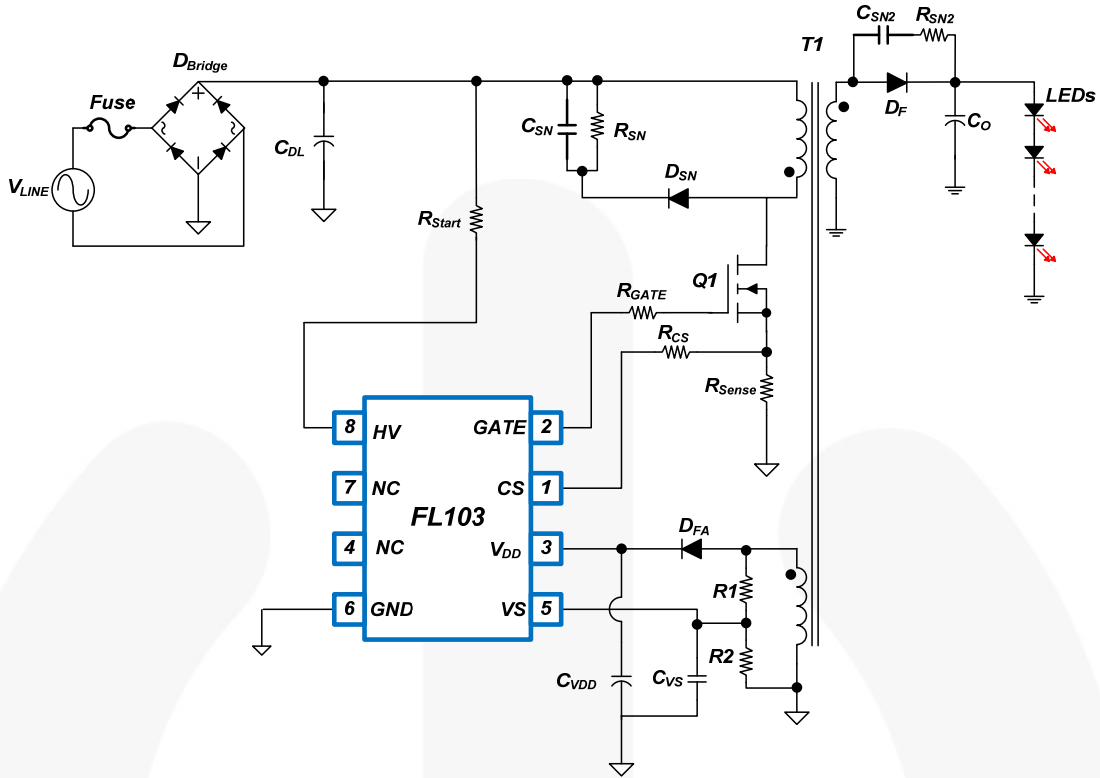


Figure 2. Typical Application

### Block Diagram

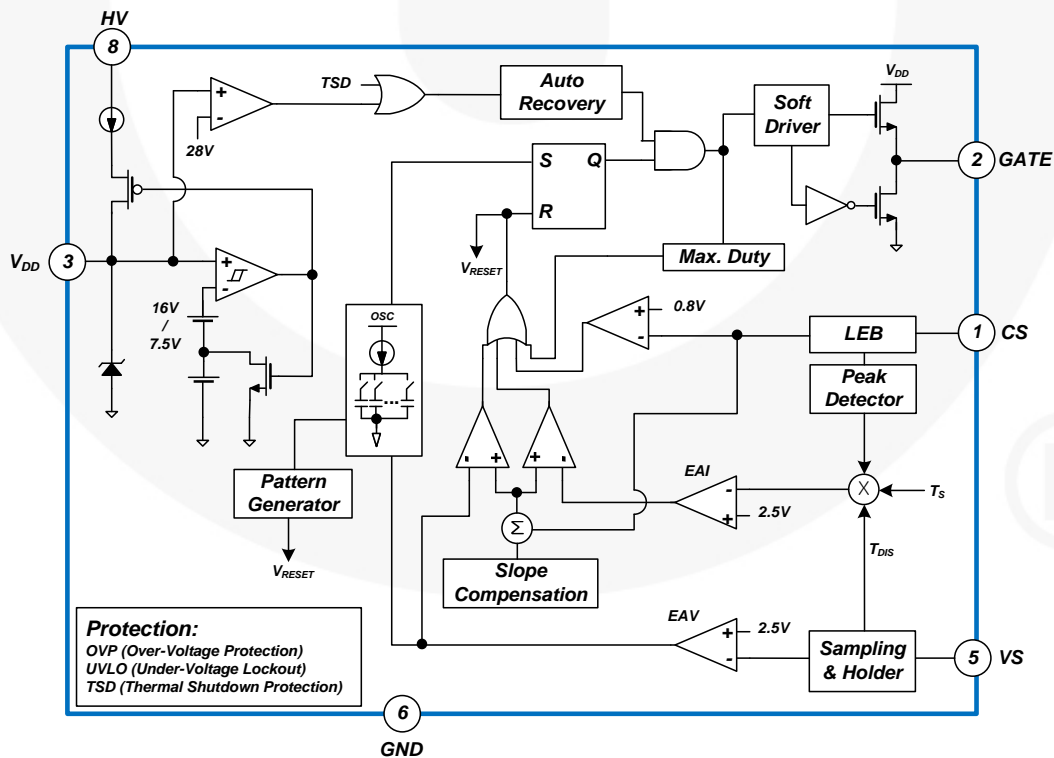
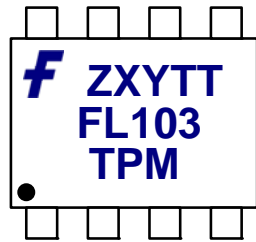


Figure 3. Internal Block Diagram

## Marking Information



F: Fairchild Logo  
 Z: Plant Code  
 X: 1-Digit Year Code  
 Y: 1-Digit Week Code  
 TT: 2-Digit Die Run Code  
 T: Package Type (M=SOP)  
 P: Y=Green Package  
 M: Manufacture Flow Code

Figure 4. Top Mark

## Pin Configuration

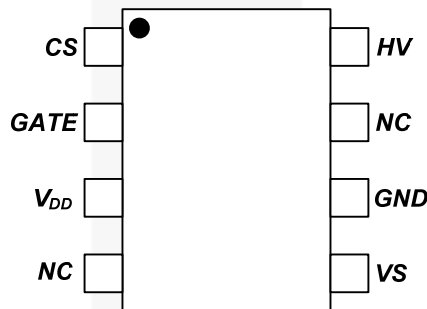


Figure 5. Pin Configuration

## Pin Definitions

Pin #	Name	Description
1	CS	<b>Current Sense.</b> This pin connects a current-sense resistor to detect the MOSFET current for peak-current-mode control in CV Mode and provides the output-current regulation in CC Mode.
2	GATE	<b>PWM Signal Output.</b> This pin uses the internal totem-pole output driver to drive the power MOSFET. It is internally clamped below 15 V.
3	V <sub>DD</sub>	<b>Power Supply.</b> IC operating current and MOSFET driving current are supplied using this pin. This pin is connected to an external V <sub>DD</sub> capacitor of typically 10 μF. The threshold voltages for startup and turn-off are 16 V and 7.5 V, respectively. The operating current is lower than 5 mA.
4	NC	<b>No Connect.</b> This pin is connected to GND or no connection. Does not connect any voltage source.
5	VS	<b>Voltage Sense.</b> This pin detects the output voltage information and discharge time based on voltage of auxiliary winding.
6	GND	<b>Ground</b>
7	NC	<b>No Connect</b>
8	HV	<b>High Voltage.</b> This pin connects to DC link capacitor for high-voltage startup. This pin is connected to an external startup resistor of typically 100 kΩ.

## Absolute Maximum Ratings

Stresses exceeding the absolute maximum ratings may damage the device. The device may not function or be operable above the recommended operating conditions and stressing the parts to these levels is not recommended. In addition, extended exposure to stresses above the recommended operating conditions may affect device reliability. The absolute maximum ratings are stress ratings only.

Symbol	Parameter	Min.	Max.	Unit
V <sub>HV</sub>	HV Pin Input Voltage		500	V
V <sub>VDD</sub>	DC Supply Voltage <sup>(1)</sup>		30	V
V <sub>VS</sub>	VS Pin Input Voltage	-0.3	7.0	V
V <sub>CS</sub>	CS Pin Input Voltage	-0.3	7.0	V
P <sub>D</sub>	Power Dissipation (T <sub>A</sub> < 50°C)		660	mW
θ <sub>JA</sub>	Thermal Resistance, (Junction-to-Air)		+150	°C/W
θ <sub>JC</sub>	Thermal Resistance, (Junction-to-Case)		39	°C/W
T <sub>J</sub>	Junction Temperature	-40	+150	°C
T <sub>STG</sub>	Storage Temperature Range	-55	+150	°C
T <sub>L</sub>	Lead Temperature (Wave Soldering or IR, 10 Seconds)		+260	°C
ESD <sup>(2)</sup>	Electrostatic Discharge Capability	Human Body Model (Except HV Pin), JEDEC-JESD22_A114	4.50	kV
		Charged Device Model (Except HV Pin), JEDEC-ESD22_C101	1.25	

**Note:**

1. All voltage values, except differential voltages, are given with respect to GND pin.
2. All Pins: HBM =1500 V, CDM =750 V.

## Recommended Operating Conditions

The Recommended Operating Conditions table defines the conditions for actual device operation. Recommended operating conditions are specified to ensure optimal performance to the datasheet specifications. Fairchild does not recommend exceeding them or designing to Absolute Maximum Ratings.

Symbol	Parameter	Min.	Typ.	Max.	Unit
V <sub>DD</sub>	Continuous Operating Voltage			25	V
T <sub>A</sub>	Operation Ambient Temperature	-40		+125	°C

## Electrical Characteristics

Unless otherwise specified,  $V_{DD} = 15\text{ V}$  and  $T_A = 25^\circ\text{C}$ .

Symbol	Parameter	Conditions	Min.	Typ.	Max.	Units	
<b>V<sub>DD</sub> Section</b>							
V <sub>DD-ON</sub>	Turn-On Threshold Voltage		15	16	17	V	
V <sub>DD-OFF</sub>	Turn-Off Threshold Voltage		7.0	7.5	8.0	V	
I <sub>DD-OP</sub>	Operating Current			3.2	5.0	mA	
I <sub>DD-GREEN</sub>	Green Mode Operating Supply Current			0.95	1.20	mA	
V <sub>DD-OVP</sub>	V <sub>DD</sub> Over-Voltage Protection Level		27	28	29	V	
t <sub>D-VDDOVP</sub>	V <sub>DD</sub> OVP Debounce Time		90	200	350	μs	
<b>High Voltage (HV) Section</b>							
V <sub>HV-MIN</sub>	Minimum Startup Voltage on HV Pin				50	V	
I <sub>HV</sub>	Supply Current Drawn from Pin HV	V <sub>DL</sub> =100 V	1.5	2.0	5.0	mA	
I <sub>HV-LC</sub>	Leakage Current after Startup	HV=500 V, V <sub>DD</sub> =V <sub>DD-OFF</sub> +1 V		0.5	3.0	μA	
<b>Oscillator Section</b>							
f <sub>OSC</sub>	Normal Frequency	Center Frequency	> V <sub>O</sub> * 0.5	47	50	53	kHz
		Frequency Hopping Range		±1.5	±2.0	±2.5	
	Protection Frequency <sup>(3)</sup>	Center Frequency	< V <sub>O</sub> * 0.5		33		
		Frequency Hopping Range			±1.3		
V <sub>F-JUM-53</sub>	Frequency Jumping Point	50 kHz → 33 kHz, VS	1.05	1.25	1.55	V	
V <sub>F-JUM-35</sub>		33 kHz → 50 kHz, VS	1.28	1.50	1.75	V	
f <sub>OSC-N-MIN</sub>	Minimum Frequency at No-Load		300	450	600	Hz	
f <sub>OSC-CM-MIN</sub>	Minimum Frequency at CCM		7	12	17	kHz	
f <sub>DV</sub>	Frequency Variation vs. V <sub>DD</sub> Deviation	V <sub>DD</sub> =10 V to 25 V		1	2	%	
f <sub>DT</sub>	Frequency Variation vs. Temperature Deviation	T <sub>A</sub> =-40°C to +105°C			15	%	
<b>Voltage Sense (V<sub>S</sub>) Section</b>							
V <sub>R</sub>	Reference Voltage for Error AMPs		2.475	2.500	2.525	V	
V <sub>N</sub>	Green-Mode Starting Voltage on EAV	f <sub>OSC</sub> =2 kHz		2.5		V	
V <sub>G</sub>	Green-Mode Ending Voltage on EAV <sup>(3)</sup>	f <sub>OSC</sub> =1 kHz		0.5		V	
V <sub>BIAS-COMV</sub>	Adaptive Bias Voltage Dominated by V <sub>COMV</sub>	R <sub>VS</sub> =20 kΩ		1.4		V	
I <sub>tc</sub>	IC Bias Current		7.3	10.0	12.7	μA	
I <sub>VS-BO</sub>	Brownout Detection Current <sup>(3)</sup>			175		μA	
I <sub>VS-MIN</sub>	Minimum VS Current <sup>(3)</sup>	90 V <sub>AC</sub> , Heavy Load		227		μA	
I <sub>VS-MAX</sub>	Maximum VS Current <sup>(3)</sup>	264 V <sub>AC</sub> , No Load		721		μA	
t <sub>DIS_MIN</sub>	Minimum Discharging Time	Normal Operation <sup>(3)</sup>		0.65		μs	
		Protection Area	f <sub>OSC</sub> =50 kHz	2.0	2.6		4.0

Continued on the following page...

**Electrical Characteristics** (Continued)Unless otherwise specified,  $V_{DD} = 15\text{ V}$  and  $T_A = 25^\circ\text{C}$ .

Symbol	Parameter	Conditions	Min.	Typ.	Max.	Units
<b>Current Sense (CS) Section</b>						
$t_{PD}$	Propagation Delay to GATE Output			90	200	ns
$t_{MIN-N}$	Minimum On Time at No-Load	$V_{COMR}=1\text{ V}$	800	975	1150	ns
$V_{TH}$	Threshold Voltage for Current Limit		0.75	0.80	0.85	V
$V_{TL}$	Threshold Voltage on VS Pin Smaller than 0.5 V			0.25		V
<b>GATE Section</b>						
$DCY_{MAX}$	Maximum Duty Cycle		60	75	85	%
$V_{OL}$	Output Voltage Low	$V_{DD}=20\text{ V}$ , Gate Sinks 10 mA			1.5	V
$V_{OH}$	Output Voltage High	$V_{DD}=8\text{ V}$ , Gate Sources 1 mA	5			V
$t_r$	Rising Time	$C_L=1\text{ nF}$		200	250	ns
$t_f$	Falling Time	$C_L=1\text{ nF}$		60	100	ns
$V_{CLAMP}$	Output Clamp Voltage	$V_{DD}=25\text{ V}$		15	18	V
<b>Thermal Shutdown (TSD) Section</b>						
TSD	Thermal Shutdown Temperature <sup>(3)</sup>		+140			$^\circ\text{C}$
$TSD_{HYS}$	Thermal Shutdown Hysteresis <sup>(3)</sup>			+15		$^\circ\text{C}$

**Note:**

3. These parameters, although guaranteed, are not 100% tested in production.

## Typical Performance Characteristics

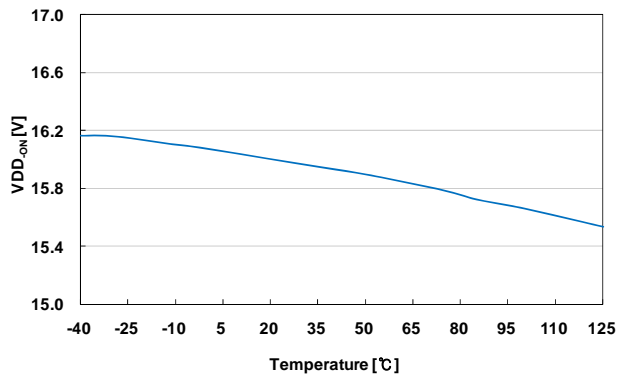


Figure 6. V<sub>DD-ON</sub> vs. Temperature

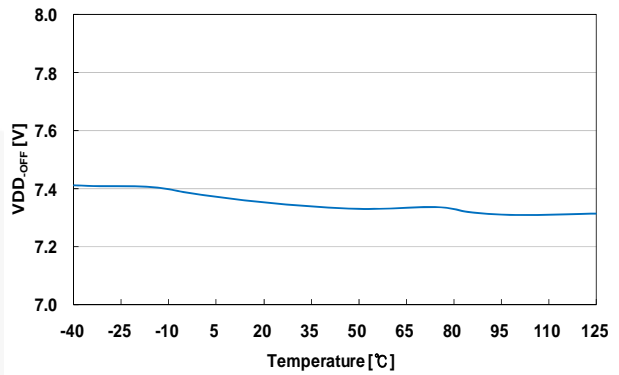


Figure 7. V<sub>DD-OFF</sub> vs. Temperature

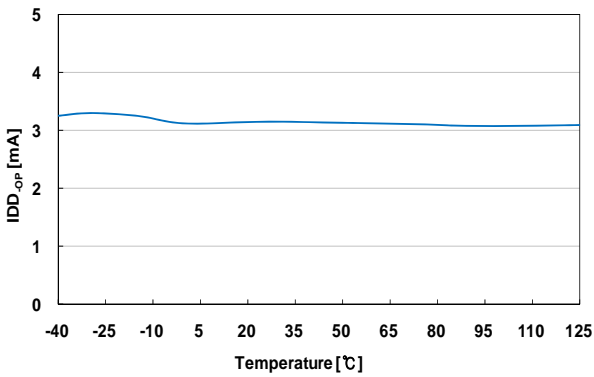


Figure 8. I<sub>DD-OP</sub> vs. Temperature

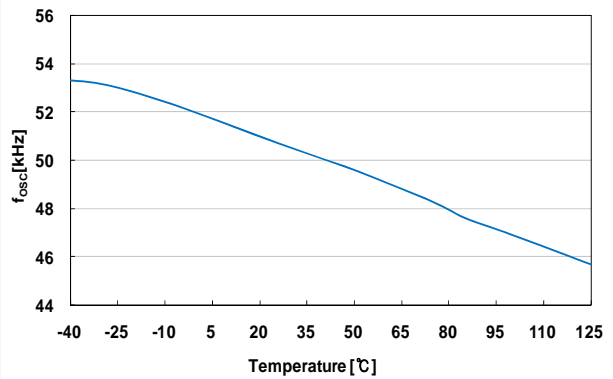


Figure 9. f<sub>OSC</sub> vs. Temperature

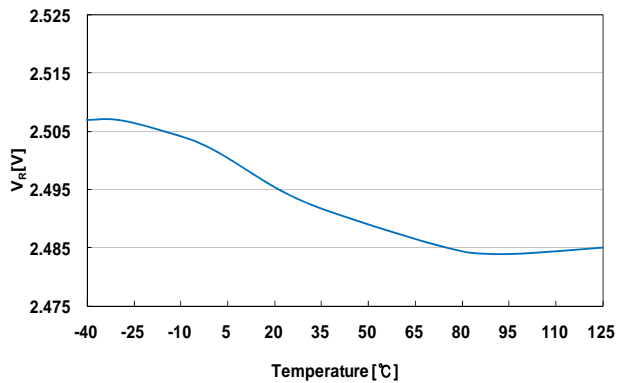


Figure 10. V<sub>R</sub> vs. Temperature

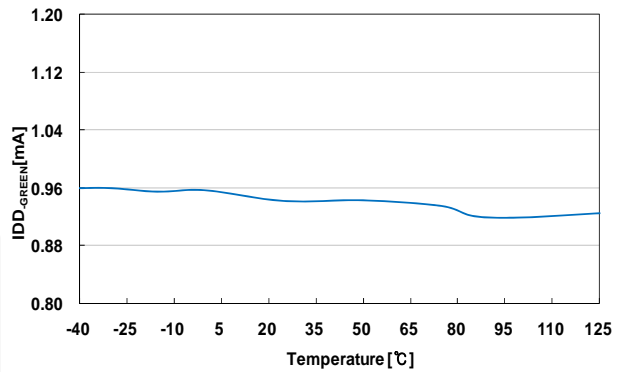


Figure 11. I<sub>DD-GREEN</sub> vs. Temperature



Typical Performance Characteristics (Continued)

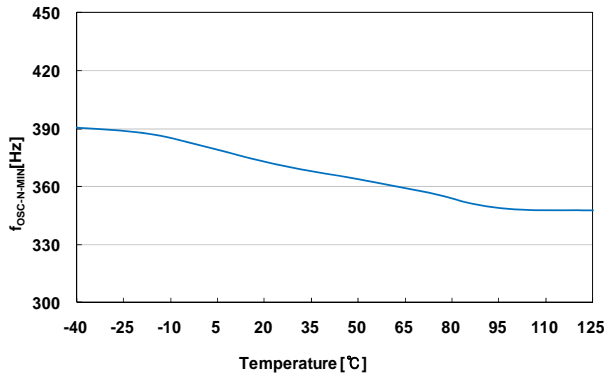


Figure 12.  $f_{OSC-N-MIN}$  vs. Temperature

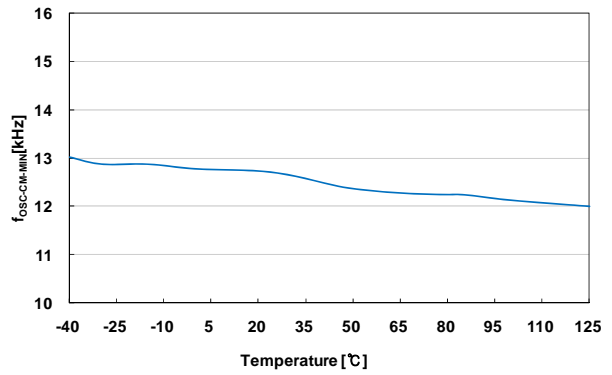


Figure 13.  $f_{OSC-CM-MIN}$  vs. Temperature

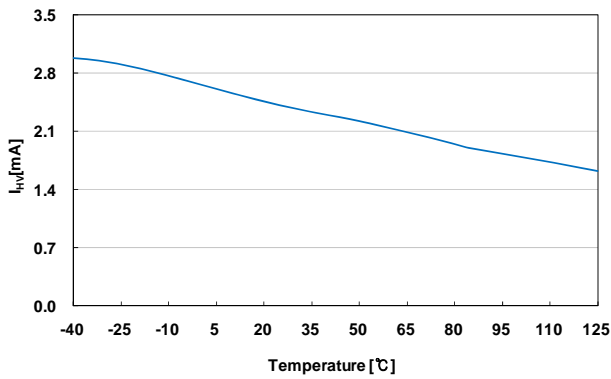


Figure 14.  $I_{HV}$  vs. Temperature

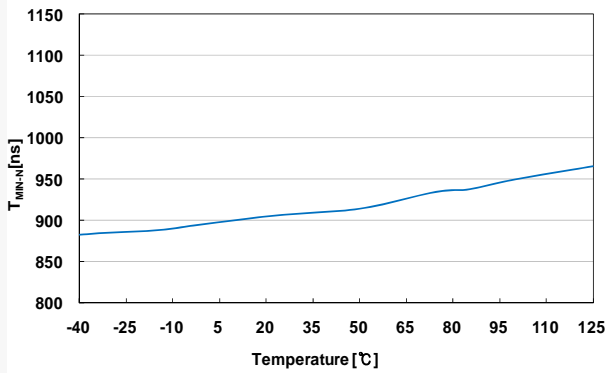


Figure 15.  $t_{MIN-N}$  vs. Temperature

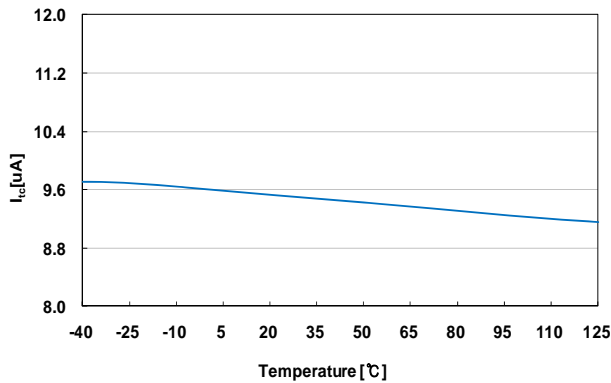


Figure 16.  $I_{IC}$  vs. Temperature

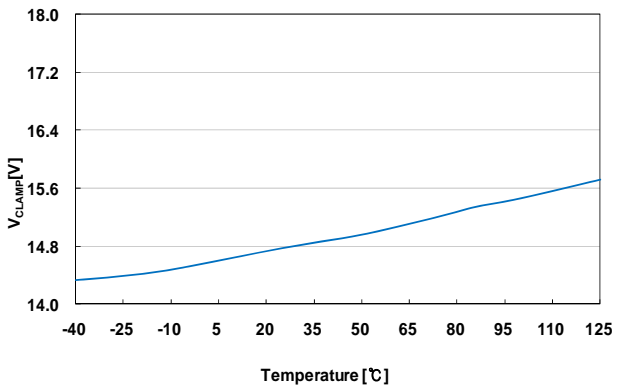


Figure 17.  $V_{CLAMP}$  vs. Temperature

Typical Performance Characteristics (Continued)

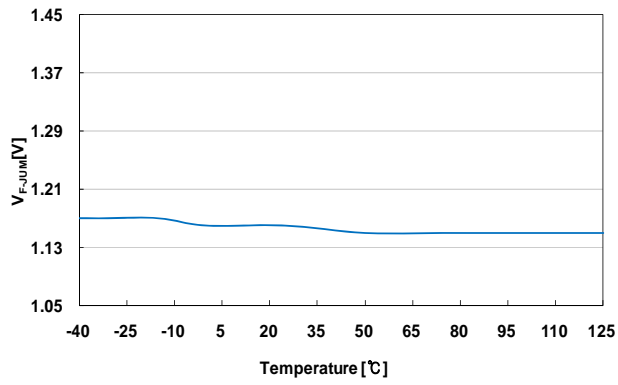


Figure 18.  $V_{F-JUM}$  vs. Temperature

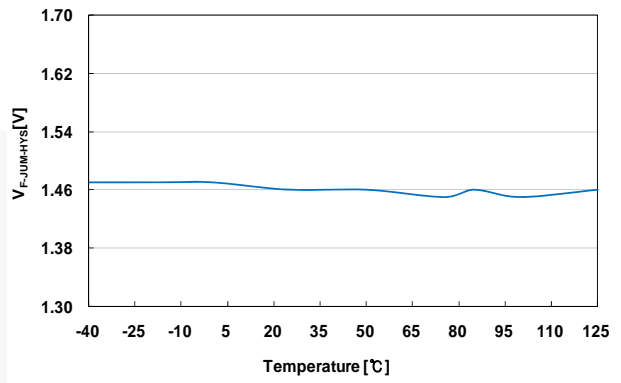
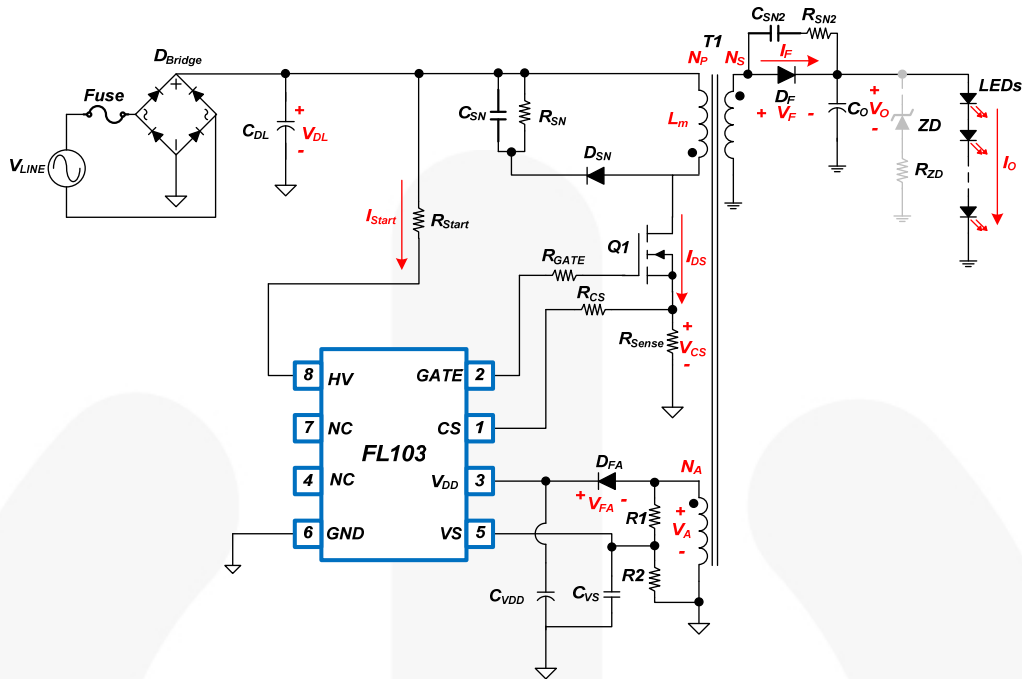


Figure 19.  $V_{F-JUM-HYS}$  vs. Temperature



## Functional Description



**Figure 20. Basic Circuit of a PSR Flyback Converter for LED Illumination**

Figure 20 shows the basic circuit diagram of a primary-side regulated flyback converter with typical waveforms shown in Figure 21. Generally, Discontinuous Conduction Mode (DCM) operation is preferred for primary-side regulation since it allows better output regulation.

The operation principles of DCM flyback converter are as follows:

### Stage I

During the MOSFET on time ( $t_{ON}$ ), input voltage ( $V_{DC}$ ) is applied across the primary-side inductor ( $L_m$ ). Then MOSFET current ( $I_{DS}$ ) increases linearly from zero to the peak value ( $I_{PK}$ ). During this time, the energy is drawn from the input and stored in the inductor.

### Stage II

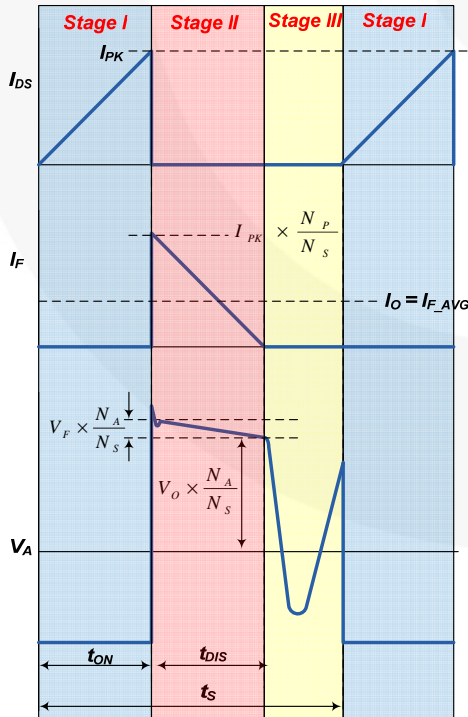
When the MOSFET (Q1) is turned off, the energy stored in the inductor forces the rectifier diode ( $D_F$ ) to be turned on. While the diode is conducting, the output voltage ( $V_O$ ), together with diode forward-voltage drop ( $V_F$ ), is applied across the secondary-side inductor and the diode current ( $I_F$ ) decreases linearly from the peak value ( $I_{PK} \times N_P/N_S$ ) to zero. At the end of inductor current discharge time ( $t_{DIS}$ ), all the energy stored in the inductor has been delivered to the output.

### Stage III

When the diode current reaches zero, the transformer auxiliary winding voltage ( $V_A$ ) begins to oscillate by the resonance between the primary-side inductor ( $L_m$ ) and the effective capacitor loaded across MOSFET (Q1).

### Constant Voltage Regulation

During the inductor current discharge time ( $t_{DIS}$ ), the sum of output voltage ( $V_O$ ) and diode forward-voltage drop ( $V_F$ ) is reflected to the auxiliary winding side as  $(V_O + V_F) \times N_A/N_S$ . Since the diode forward-voltage drop ( $V_F$ ) decreases as current decreases, the auxiliary winding voltage ( $V_A$ ) reflects the output voltage ( $V_O$ ) at the end of diode conduction time ( $t_{DIS}$ ), where the diode current ( $I_F$ ) diminishes to zero. By sampling the winding



**Figure 21. Waveforms of DCM Flyback Converter**

voltage at the end of the diode conduction time ( $t_{DIS}$ ), the output voltage ( $V_O$ ) information can be obtained. The internal error amplifier for output voltage regulation ( $EAV$ ) compares the sampled voltage with an internal precise reference to generate error voltage ( $V_{COMV}$ ), which determines the duty cycle of the MOSFET ( $Q1$ ) in Constant Voltage Mode.

### Constant Current Regulation

The output current ( $I_O$ ) can be estimated using the peak drain current ( $I_{PK}$ ) and inductor current discharge time ( $t_{DIS}$ ) since output current ( $I_O$ ) is same as the average of the diode current ( $I_{F\_AVG}$ ) in steady state. The output current estimator ( $I_O$  Estimator) determines the peak value of the drain current with a peak detection circuit and calculates the output current ( $I_O$ ) using the inductor discharge time ( $t_{DIS}$ ) and switching period ( $f_s$ ). This output information is compared with an internal precise reference to generate error voltage ( $V_{COMI}$ ), which determines the duty cycle of the MOSFET ( $Q1$ ) in Constant Current Mode. With Fairchild's innovative technique TRUECURRENT<sup>®</sup>, constant current output can be precisely controlled.

### Voltage and Current Error Amplifier

Of the two error voltages,  $V_{COMV}$  and  $V_{COMI}$ , the small one determines the duty cycle. Therefore, during Constant Voltage Regulation Mode,  $V_{COMV}$  determines the duty cycle while  $V_{COMI}$  is saturated to HIGH. During Constant Current Regulation Mode,  $V_{COMI}$  determines the duty cycle while  $V_{COMV}$  is saturated to HIGH.

### Operating Current

The operating current is typically 3.2 mA. The small operating current results in higher efficiency and reduces the  $V_{DD}$  capacitor ( $C_{VDD}$ ) requirement. Once FL103 enters Green Mode, the operating current is reduced to 0.95 mA, assisting the power supply in meeting power conservation requirements.

### Green Mode Operation

The FL103 uses voltage regulation error amplifier output ( $V_{COMV}$ ) as an indicator of the output load and modulates the PWM frequency, as shown in Figure 22. The switching frequency decreases as load decreases. In heavy load conditions, the switching frequency is fixed at 50 kHz. Once  $V_{COMV}$  decreases below 2.5 V, the PWM frequency linearly decreases from 50 kHz. When FL103 enters into green load, the PWM frequency is reduced to a minimum frequency of 370 Hz., gaining power saving power to help meet international power conservation requirements.

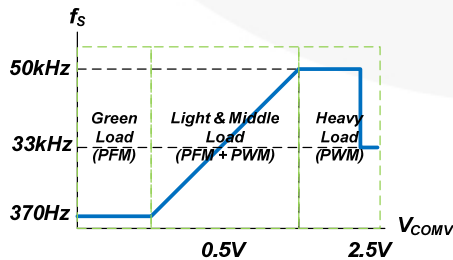


Figure 22. Switching Frequency as Output Load

### Frequency Hopping

EMI reduction is accomplished by frequency hopping, which spreads the energy over a wider frequency range than the bandwidth measured by the EMI test equipment. FL103 has an internal frequency hopping circuit that changes the switching frequency between 47 kHz and 53 kHz.

### High-Voltage Startup

Figure 23 shows the startup block. The HV pin is connected to the line input or DC link capacitor ( $C_{DC}$ ). During startup, the internal startup circuit is enabled. Meanwhile, line input supplies the current ( $I_{Start}$ ) to charge the  $V_{DD}$  capacitor ( $C_{VDD}$ ). When the  $V_{DD}$  voltage reaches  $V_{DD-ON}$  (16 V) and  $V_{DC}$  is enough high to avoid brownout, the internal startup circuit is disabled, blocking  $I_{Start}$  from flowing into the HV pin. Once the IC turns on,  $C_{VDD}$  is the only energy source to supply the IC consumption current before the PWM starts to switch. Thus,  $C_{VDD}$  must be large enough to prevent  $V_{DD-OFF}$  (7.5 V) before the power can be delivered from the auxiliary winding. To avoid the surge from input source, the  $R_{Start}$  is connected between  $C_{DC}$  and HV, with a recommended value of 100 k $\Omega$ .

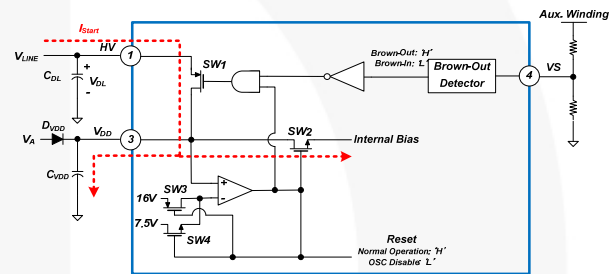


Figure 23. Startup Block

### Protections

The FL103 has several self-protection functions; over-voltage protection, thermal shutdown protection, brownout protection, and pulse-by-pulse current limit.

#### $V_{DD}$ Under-Voltage Lockout (UVLO)

The turn-on and turn-off thresholds are fixed internally at 16 V and 7.5 V, respectively. During startup, the  $V_{DD}$  capacitor ( $C_{VDD}$ ) must be charged to 16 V. The  $V_{DD}$  capacitor ( $C_{VDD}$ ) continues to supply  $V_{DD}$  until power can be delivered from the auxiliary winding of the main transformer.  $V_{DD}$  is not allowed to drop below 7.5 V during this startup process. This UVLO hysteresis window ensures that  $V_{DD}$  capacitor ( $C_{VDD}$ ) properly supplies  $V_{DD}$  during startup.

#### $V_{DD}$ Over-Voltage Protection (OVP)

The OVP prevents damage from over-voltage conditions. If the  $V_{DD}$  voltage exceeds 28 V at open-loop feedback condition, the OVP is triggered and the PWM switching is disabled. The OVP has a debounce time (typically 200  $\mu$ s) to prevent false triggering due to switching noises.

#### Thermal Shutdown Protection (TSD)

The built-in temperature-sensing circuit shuts down PWM output if the junction temperature exceeds 140°C. There is a hysteresis of 15°C.

**Pulse-by-Pulse Current Limit**

When the current sensing voltage ( $V_{CS}$ ) across the current-sense resistor ( $R_{Sense}$ ) of MOSFET (Q1) exceeds the internal threshold of 0.8 V, the MOSFET (Q1) is turned off for the remainder of switching cycle. In normal operation, the pulse-by-pulse current limit is not triggered because the peak current is limited by the control loop.

**Leading-Edge Blanking (LEB)**

Each time the power MOSFET (Q1) switches on, a turn-on spike occurs at the sense resistor ( $R_{Sense}$ ). To avoid premature termination of the switching pulse, a leading-edge blanking time is built in. Conventional RC filtering can be omitted. During this blanking period, the current-limit comparator is disabled and cannot switch off the gate driver.

**Gate Output**

The FL103 output stage is a fast totem-pole gate driver. Cross conduction has been avoided to minimize heat dissipation, increase efficiency, and enhance reliability. The output driver is clamped by an internal 15 V Zener diode to protect power MOSFET transistors against undesired over-voltage gate signals.

**Built-in Slope Compensation**

The sensed voltage across the current-sense resistor is used for Current Mode control and pulse-by-pulse current limiting. Built-in slope compensation improves stability and prevents sub-harmonic oscillations due to peak-current mode control. The FL103 has a synchronized, positive-slope ramp built-in at each switching cycle.

**Noise Immunity**

Noise from the current sense or the control signal can cause significant pulse-width jitter, particularly in Continuous-Conduction Mode. While slope compensation helps alleviate these problems, further precautions should still be taken. Good placement and layout practices should be followed. Avoiding long PCB traces and component leads, locating compensation and filter components near the FL103, and increasing the power MOSFET gate resistance are advised.

**Operation Area**

Figure 24 shows operation area. FL103 has two switching frequency ( $f_s$ ) in Constant Current Mode. One is 50 kHz. In this case, FL103 can be operated with best condition for LED illumination. The output voltage range is between normal output voltage ( $V_{O^N}$ ) and 50% of normal output voltage ( $V_{O^N}$ ). The other is 33 kHz. When the output voltage is dropped, by increased load and decreasing the number of LEDs, the output voltage ( $V_O$ ) drops under 50% of normal output voltage ( $V_{O^N}$ ). At that time,  $V_{DD}$  drops to near UVLO protection and triggers protection. To avoid 33 kHz,  $V_{O^N}$  should be designed with enough margin.

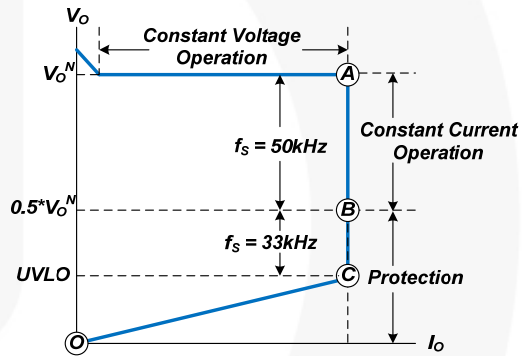
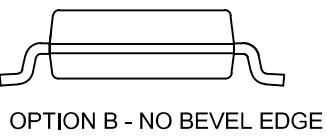
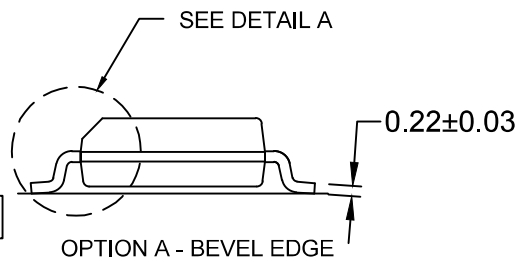
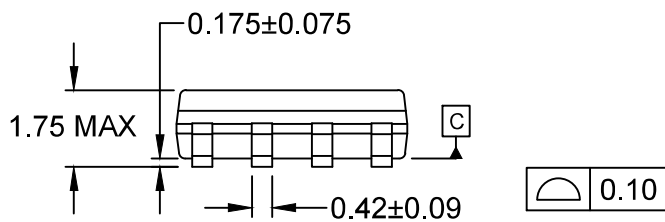


Figure 24. Operation Area



NOTES:

- A) THIS PACKAGE CONFORMS TO JEDEC MS-012, VARIATION AA.
- B) ALL DIMENSIONS ARE IN MILLIMETERS.
- C) DIMENSIONS DO NOT INCLUDE MOLD FLASH OR BURRS.
- D) LANDPATTERN STANDARD: SOIC127P600X175-8M
- E) DRAWING FILENAME: M08Arev16



ON Semiconductor and  are trademarks of Semiconductor Components Industries, LLC dba ON Semiconductor or its subsidiaries in the United States and/or other countries. ON Semiconductor owns the rights to a number of patents, trademarks, copyrights, trade secrets, and other intellectual property. A listing of ON Semiconductor's product/patent coverage may be accessed at [www.onsemi.com/site/pdf/Patent-Marking.pdf](http://www.onsemi.com/site/pdf/Patent-Marking.pdf). ON Semiconductor reserves the right to make changes without further notice to any products herein. ON Semiconductor makes no warranty, representation or guarantee regarding the suitability of its products for any particular purpose, nor does ON Semiconductor assume any liability arising out of the application or use of any product or circuit, and specifically disclaims any and all liability, including without limitation special, consequential or incidental damages. Buyer is responsible for its products and applications using ON Semiconductor products, including compliance with all laws, regulations and safety requirements or standards, regardless of any support or applications information provided by ON Semiconductor. "Typical" parameters which may be provided in ON Semiconductor data sheets and/or specifications can and do vary in different applications and actual performance may vary over time. All operating parameters, including "Typicals" must be validated for each customer application by customer's technical experts. ON Semiconductor does not convey any license under its patent rights nor the rights of others. ON Semiconductor products are not designed, intended, or authorized for use as a critical component in life support systems or any FDA Class 3 medical devices or medical devices with a same or similar classification in a foreign jurisdiction or any devices intended for implantation in the human body. Should Buyer purchase or use ON Semiconductor products for any such unintended or unauthorized application, Buyer shall indemnify and hold ON Semiconductor and its officers, employees, subsidiaries, affiliates, and distributors harmless against all claims, costs, damages, and expenses, and reasonable attorney fees arising out of, directly or indirectly, any claim of personal injury or death associated with such unintended or unauthorized use, even if such claim alleges that ON Semiconductor was negligent regarding the design or manufacture of the part. ON Semiconductor is an Equal Opportunity/Affirmative Action Employer. This literature is subject to all applicable copyright laws and is not for resale in any manner.

## PUBLICATION ORDERING INFORMATION

### LITERATURE FULFILLMENT:

Literature Distribution Center for ON Semiconductor  
19521 E. 32nd Pkwy, Aurora, Colorado 80011 USA  
**Phone:** 303-675-2175 or 800-344-3860 Toll Free USA/Canada  
**Fax:** 303-675-2176 or 800-344-3867 Toll Free USA/Canada  
**Email:** [orderlit@onsemi.com](mailto:orderlit@onsemi.com)

**N. American Technical Support:** 800-282-9855 Toll Free  
USA/Canada  
**Europe, Middle East and Africa Technical Support:**  
Phone: 421 33 790 2910  
**Japan Customer Focus Center**  
Phone: 81-3-5817-1050

**ON Semiconductor Website:** [www.onsemi.com](http://www.onsemi.com)  
**Order Literature:** <http://www.onsemi.com/orderlit>  
For additional information, please contact your local  
Sales Representative