

61276-2 ✓ ACTIVE

AMP-IN

TE Internal #: 61276-2

Receptacle, PCB Hole Diameter 3.18 mm [.083 in], 24 – 20 AWG

Wire Size, .2 – .6 mm<sup>2</sup> Wire Size, Through Hole - Solder, Pre-Tin

Plating, PCB Terminals

[View on TE.com >](#)



Terminals & Splices > PCB Terminals



PCB Terminal Type: **Receptacle**

PCB Hole Diameter: **3.18 mm [.083 in]**

Mating Pin Diameter: **1.47 mm [.058 in]**

Compatible Insulation Diameter (Max): **1.78 mm [.07 in]**

Compatible Insulation Diameter Range: **1.14 – 1.78 mm [.045 – .07 in]**

**Features**

**Product Type Features**

Terminal Features	Stud Hole
Wire Insulation Support Retention Type	Open Barrel

**Contact Features**

PCB Terminal Type	Receptacle
Mating Pin Diameter	1.47 mm[.058 in]
Terminal Plating Material	Pre-Tin
Contact Underplating Material	Nickel
Terminal Orientation	Flag

**Termination Features**

Termination Method to PCB	Through Hole - Solder
Product Terminates To	Wire & Cable

**Mechanical Attachment**

Wire Insulation Support	With
-------------------------	------

### Dimensions

Terminal Material Thickness	.25 mm[.01 in]
PCB Hole Diameter	3.18 mm[.083 in]
Compatible Insulation Diameter (Max)	1.78 mm[.07 in]
Compatible Insulation Diameter Range	1.14 – 1.78 mm[.045 – .07 in]
Wire Size	.2 – .6 mm <sup>2</sup>

### Usage Conditions

Insulation Option	Uninsulated
Operating Temperature Range	-55 – 105 °C[-67 – 221 °F]

### Packaging Features

Packaging Quantity	1000
Packaging Method	Bag

### Product Compliance

[For compliance documentation, visit the product page on TE.com>](#)

EU RoHS Directive 2011/65/EU	Compliant
EU ELV Directive 2000/53/EC	Compliant
China RoHS 2 Directive MIIT Order No 32, 2016	No Restricted Materials Above Threshold
EU REACH Regulation (EC) No. 1907/2006	Current ECHA Candidate List: JUNE 2024 (241) Candidate List Declared Against: JUNE 2024 (241) Does not contain REACH SVHC
Halogen Content	Low Halogen - Br, Cl, F, I < 900 ppm per homogenous material. Also BFR/CFR/PVC Free
Solder Process Capability	Not applicable for solder process capability

#### Product Compliance Disclaimer

This information is provided based on reasonable inquiry of our suppliers and represents our current actual knowledge based on the information they provided. This information is subject to change. The part numbers that TE has identified as EU RoHS compliant have a maximum concentration of 0.1% by weight in homogenous materials for lead, hexavalent chromium, mercury, PBB, PBDE, DBP, BBP, DEHP, DIBP, and 0.01% for cadmium, or qualify for an exemption to these limits as defined in the Annexes of Directive 2011/65/EU (RoHS2). Finished electrical and electronic equipment products will be CE marked as required by Directive 2011/65/EU. Components may not be CE marked. Additionally, the part numbers that TE has identified as EU ELV compliant have a maximum concentration of 0.1% by weight in homogenous materials for lead, hexavalent chromium, and mercury, and 0.01% for cadmium, or qualify for an exemption to these limits as defined in the Annexes of Directive 2000/53/EC (ELV). Regarding the REACH Regulation, the information TE provides on SVHC in articles for this part number is based on the latest European Chemicals Agency (ECHA) 'Guidance on requirements for substances in articles' posted at this URL: <https://echa.europa.eu/guidance-documents/guidance-on-reach>

## Compatible Parts



TE Part # 60986-1  
.058 DIA PIN RECPT L/P



TE Part # 91507-1  
CCII .058 REC P.C. 24-20 ASSY



TE Part # 350189-1  
.058 DIA RECPT PC R/A LP 26-22

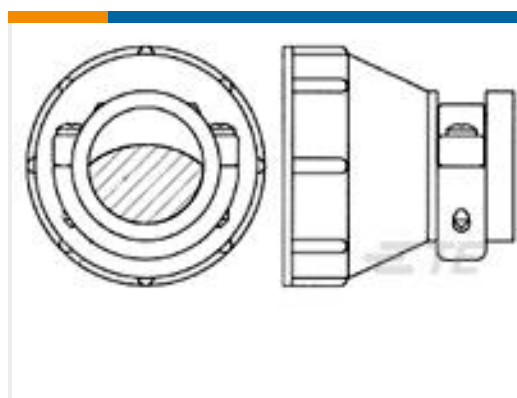


TE Part # 453850-1  
INSERTION EXTRACTION TOOL

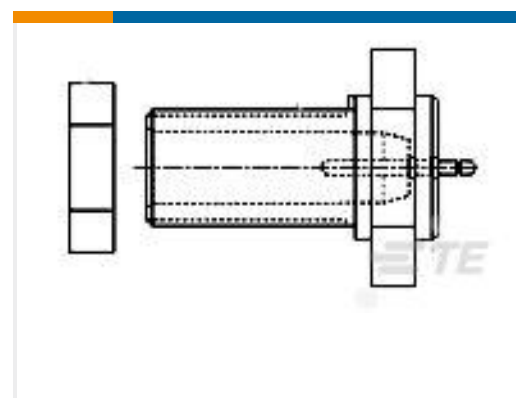
## Customers Also Bought



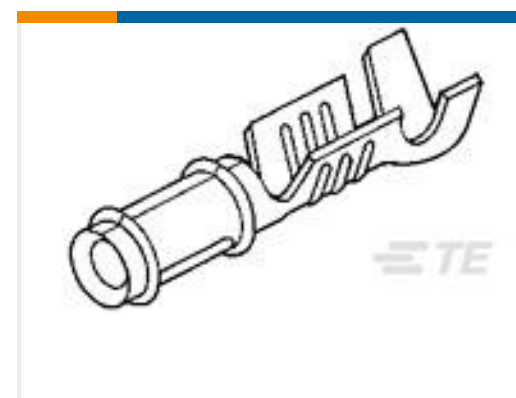
TE Part #91523-1  
CCII TYPE III+ PIN SKT 24-16 ASSY



TE Part #208945-7  
SZ 22 UNASSM KIT,CMC



TE Part #861611-1  
RECEPTACLE



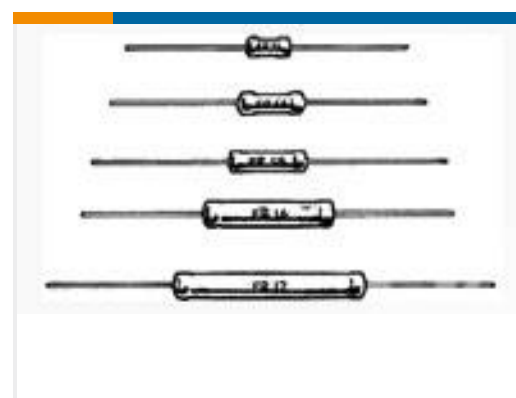
TE Part #60789-1  
.058 DIA RECEPTACLE LP 20-24



TE Part #583389-000  
B-106-3633



TE Part #227426-1  
BNC BLKHD RECPT SEALED



TE Part #4-1623750-9  
ER58 R47 5% AMMO



TE Part #243246-E  
STVH11 11 F B V 3-00 F001 \* \* 197 E  
016



TE Part #1393277-4  
V23076A1001C133



TE Part #8-2176309-7  
RP 1E 0.1W 78R7 0.1% 25PPM 1K RL

## Documents

### Product Drawings

[.058 DIA RECPT LP 24-20](#)

English

### CAD Files

[3D PDF](#)

English

**Customer View Model**[ENG\\_CVM\\_61276-2\\_E.3d\\_igs.zip](#)

English

**Customer View Model**[ENG\\_CVM\\_61276-2\\_E.3d\\_stp.zip](#)

English

**Customer View Model**[ENG\\_CVM\\_61276-2\\_E.2d\\_dxf.zip](#)

English

By downloading the CAD file I accept and agree to the [Terms and Conditions](#) of use.

**Datasheets & Catalog Pages**[PRINTED CIRCUIT BOARD TERMINALS AND DISCONNECTS](#)

English

**Product Specifications**[Application Specification](#)

English

**Instruction Sheets**[Instruction Sheet \(U.S.\)](#)

Japanese

[Instruction Sheet \(U.S.\)](#)

English

[Insertion/Extraction Tool](#)

English