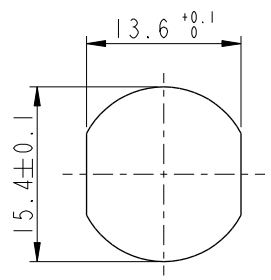


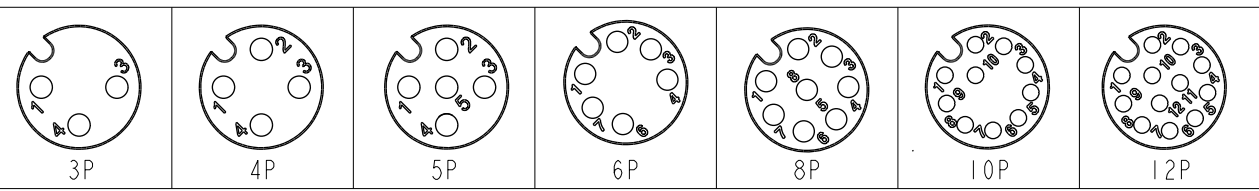
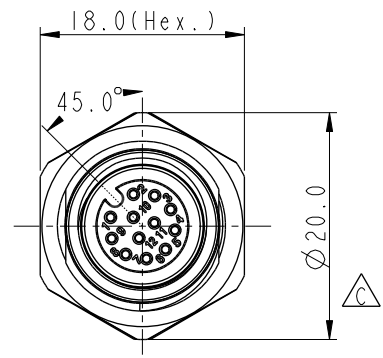
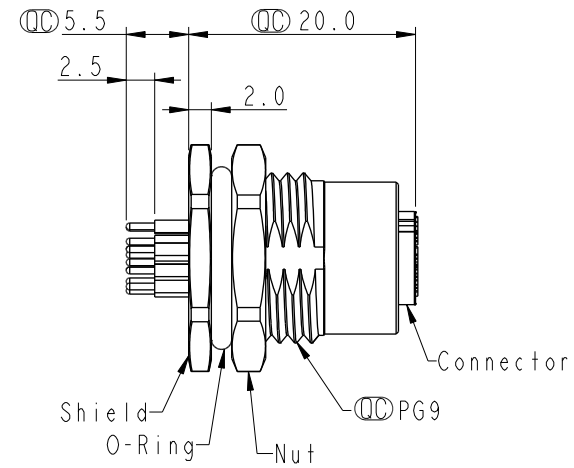
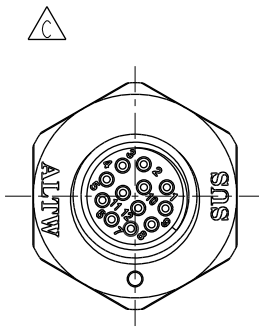
THIS DOCUMENT IS SUBJECT TO CHANGE WITHOUT NOTICE. IT IS CONFIDENTIAL AND A PROPERTY OF Amphenol LTW. DISCLOSURE TO THIRD PARTY HAS TO BE AUTHORIZED BY Amphenol LTW.

REV.	ECN NO.	DATE	SIGN	DESCRIPTION
C	C220095	2022/01/17	Cynthia	$\triangle C$ X2
D	C221890	2022/12/29	Vicky	$\triangle D$ XI
E	C231037	2023/08/09	Vicky	$\triangle E$ XI



Recommended Panel Cut-Out

$\triangle B$   
SMI2A-XXPFFP-SF8001  
XX: No. Of Pin



Pin Assignment Front View

- $\triangle B$  Note:
- \* RoHS Compliant
  - \*  $\text{⌀}$  Important dimension
  - $\triangle A$  \* Waterproof rate: IP68, unmated 1m/24h  
 $\triangle E$  IP69K, mated
  - \* Connector
    - Housing: Thermoplastic, Black
    - Pin: Copper alloy, Gold plated
    - O-Ring: Rubber, Green
  - \* Shield: Metal
  - \* Nut: Metal
  - \* O-Ring: Rubber, Black
  - \* For panel thickness max: 4.5mm
  - \* Nut is packed separately in pe bag

UNIT: mm		
TOLERANCE	.X	±0.25
	.XX	±0.1
	.XXX	±0.05
ANGLES		±1°

TITLE N SEN, M12 A-STAINLESS, SCREW RECEPTACLE, F, F, PCB S $\triangle B$		
SCALE 2:1	SIZE A4	SHEET 1 OF 2
REV. E	WC-REV. A.5	$\text{⌀}$ : Inspection item

**Amphenol LTW**  
安費諾亮泰企業股份有限公司

ITEM NO.	DRAWN BY Wen	DATE 2020/09/08
DWG NO. $\triangle B$ SMI2A-XXPFFP-SF8001	CHECKED BY Allen	DATE 2020/09/08
CUSTOMER ALTW	APPROVED BY Neo	DATE 2020/09/08

THIS DOCUMENT IS SUBJECT TO CHANGE WITHOUT NOTICE. IT IS CONFIDENTIAL AND A PROPERTY OF Amphenol LTW. DISCLOSURE TO THIRD PARTY HAS TO BE AUTHORIZED BY Amphenol LTW.

1 2 3 4 5 6 7 8

F

E

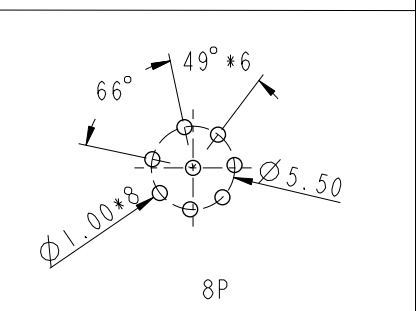
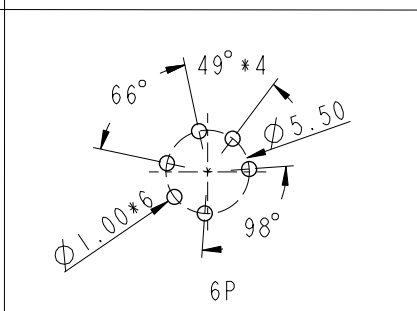
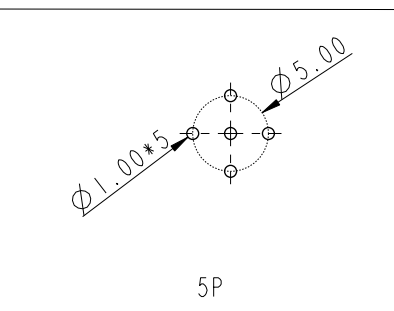
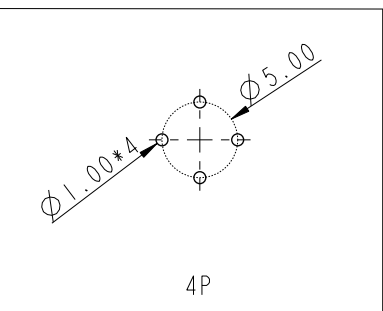
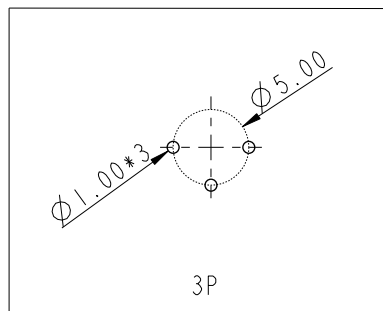
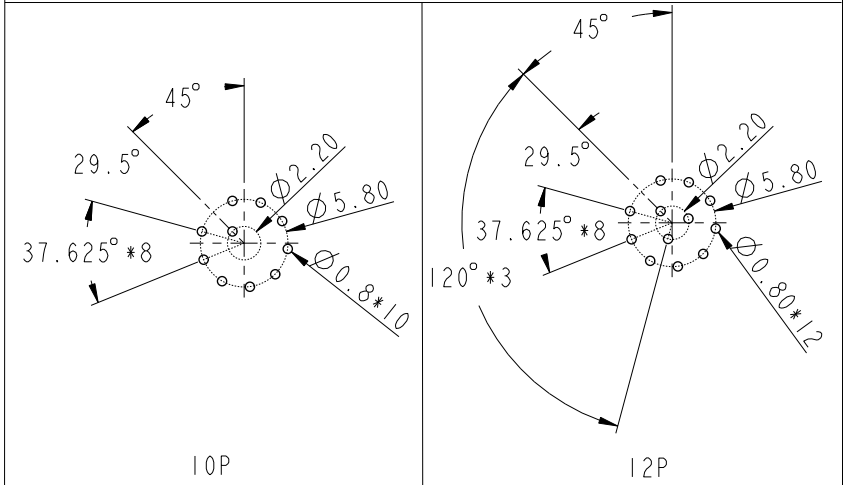
D

C

B

A

PCB Layout



UNIT: mm		
TOLERANCE	.X ±0.25	
	.XX ±0.1	
	.XXX ±0.05	
ANGLES	±1°	

TITLE N SEN, M12 A-STAINLESS, SCREW RECEPTACLE, F, F, PCB S		
SCALE 2:1	SIZE A4	SHEET 2 OF 2
REV. E	WC-REV. A.4	: Inspection item

**Amphenol LTW**  
安費諾亮泰企業股份有限公司

ITEM NO	DWG NO SM12A-XXPFFP-SF8001
CUSTOMER ALTW	

DRAWN BY Wen	CHECKED BY Allen
APPROVED BY Neo	

DATE 2020/09/08	DATE 2020/09/08
DATE 2020/09/08	