

### Sensitivity Wavelength Range: 800nm~2600nm

The MTPD2601SL-030 from Marktech, a high sensitivity and high reliability product series, is ideally suited for Optical Communication devices. Custom packaging options for this die is also available.

#### FEATURES

- > High Speed Response
- > TO-46 Ball Lens Metal Can Package
- > Active Area of 0.3mm  $\Phi$  / High Sensitivity
- > Spectral Range 600nm - 2600nm
- > Hermetically Sealed

#### APPLICATIONS

- > High Speed Optical Communications
- > Industrial Controls
- > Gas/Water Analysis
- > LIDAR
- > Medical



### Absolute Maximum Ratings (Ta=25°C)



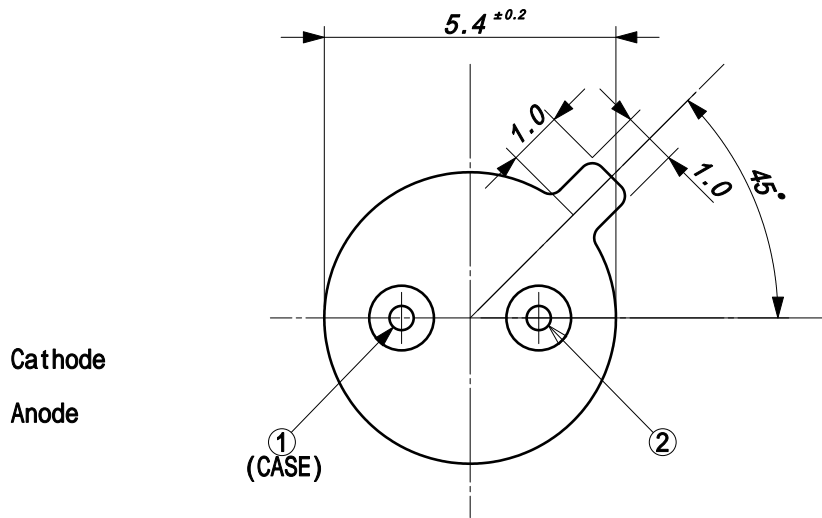
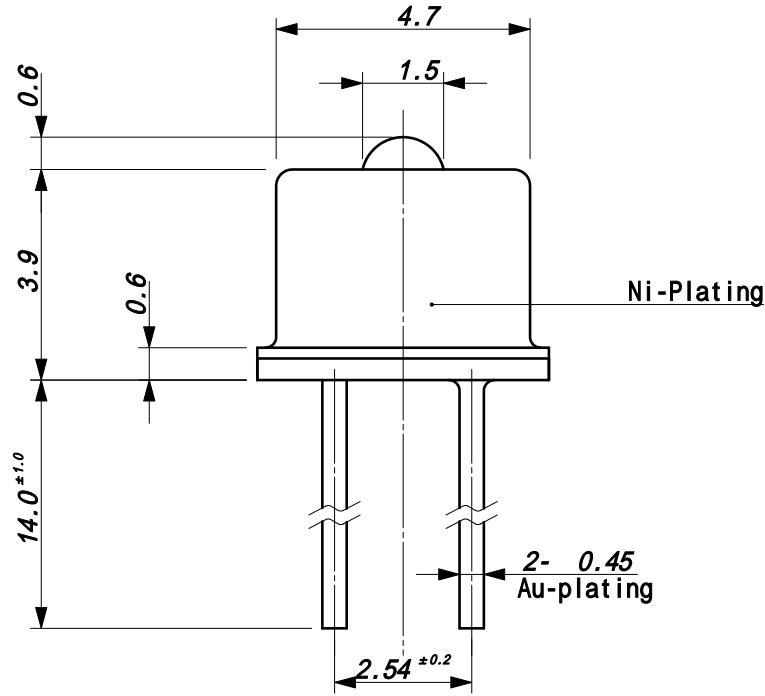
ITEMS	SYMBOL	RATINGS	UNIT
Active Area	$\Phi$	0.3	mm
Operating Temperature Range	Topr	-40 to +85	°C
Storage Temperature Range	Tstg	-40 to +125	°C

### Electrical & Optical Characteristics (Ta = 25°C)

ITEMS	SYMBOL	CONDITIONS	MIN	TYP	MAX	UNIT
Breakdown Voltage	VR	IR=100uA	--	--	1	V
Sensitivity Range	$\lambda$	VR=0V	800	--	2600	nm
Dark Current	ID	VR=0V	--	45	--	uA
Dark Current	ID	VR=1V	--	40	--	uA
Capacitance	C	VR=0V	--	160	--	pF
Capacitance	C	VR=1V	--	20	--	pF
Responsivity *1	R	$\lambda$ =2400nm	--	1.24	--	A/W
Shunt Resistance	RS	VR=10mV	--	6.5	--	kOhm
Quantum Efficiency *1	QE	$\lambda$ =1840nm	--	72	--	%

\*1: As mounted on TO-46 header without resin coating or lens cap.

Package Dimensions

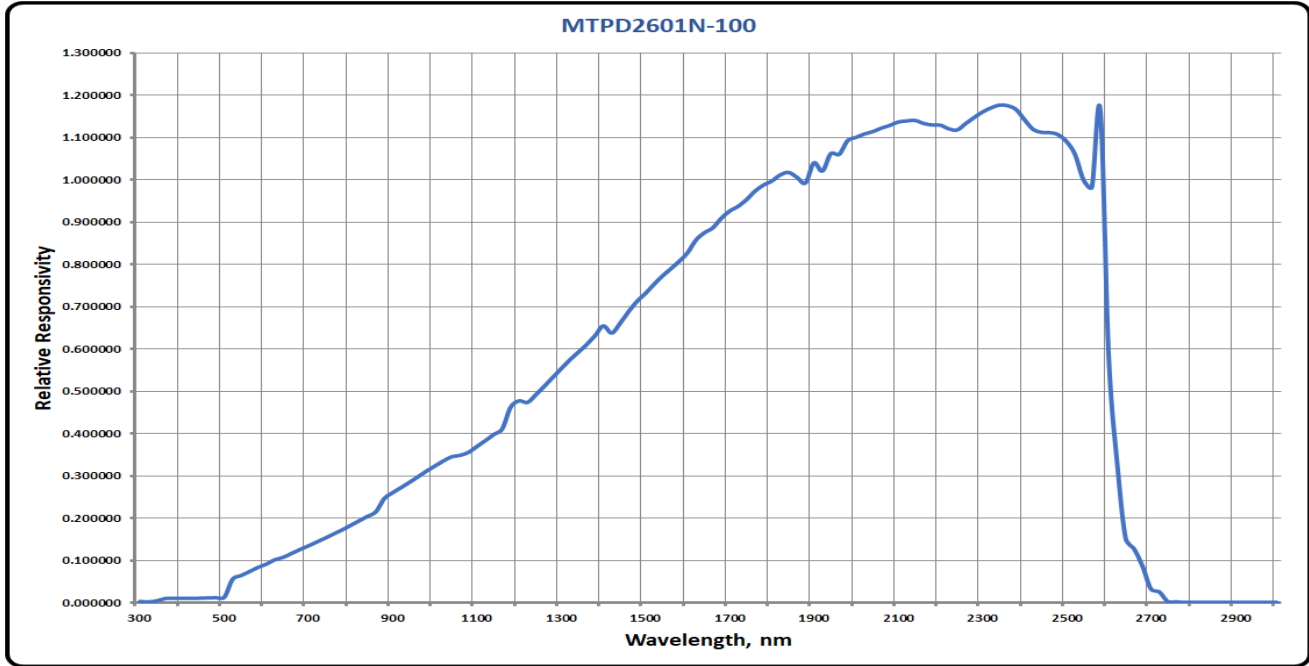


Unit: mm, Tolerance: ±0.2

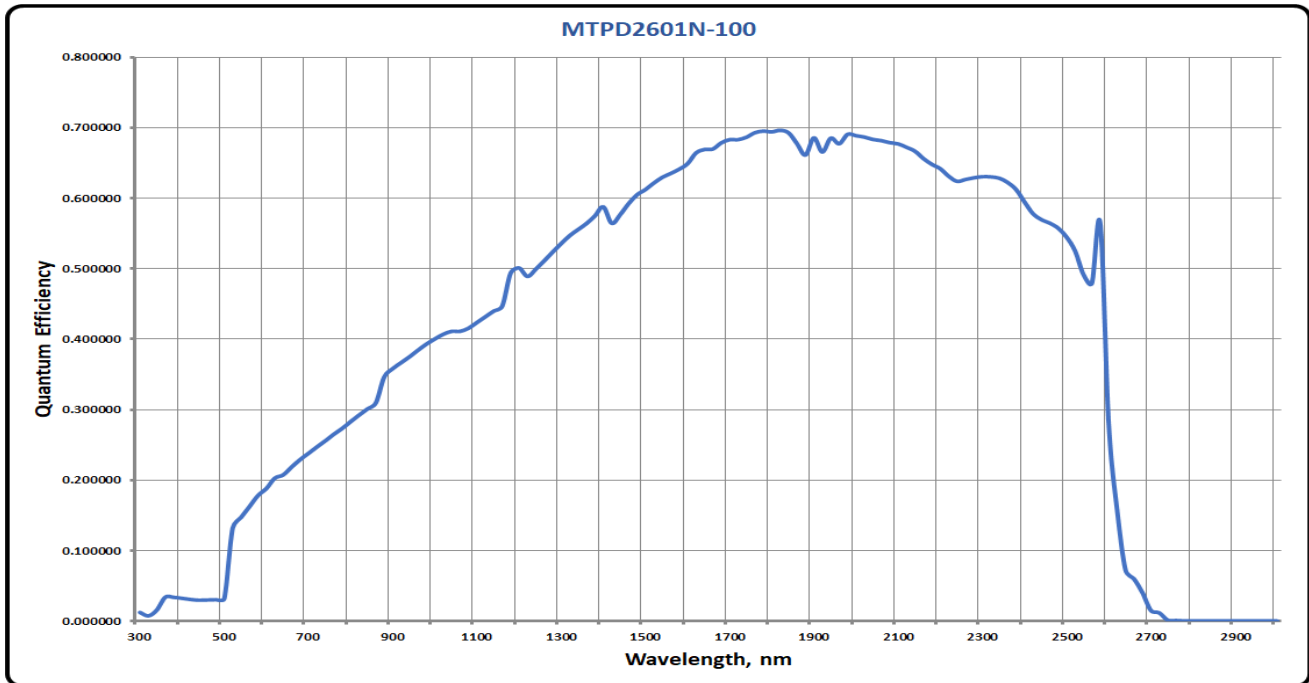
The information contained herein is subject to change without notice.

2022-12-8

### Spectral Responsivity

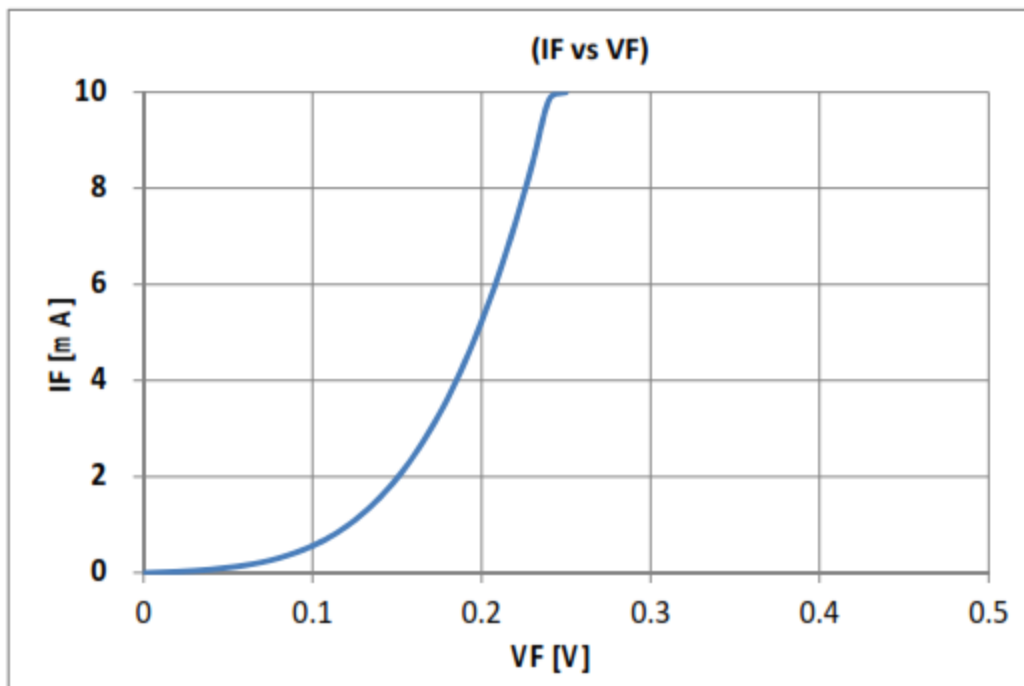
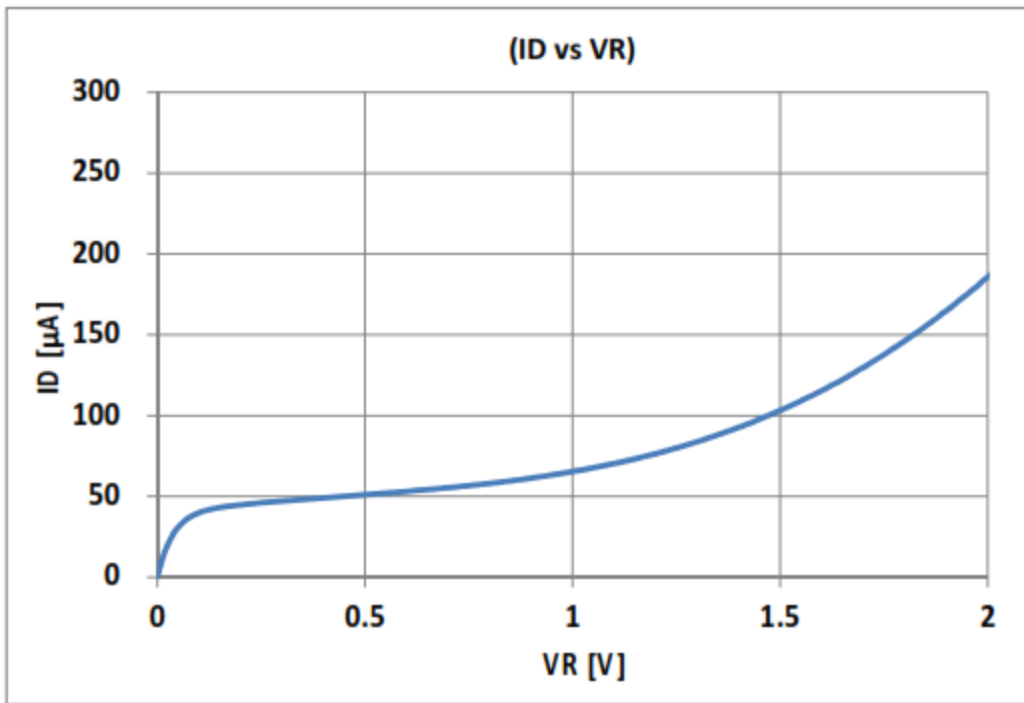


### Quantum Efficiency



The information contained herein is subject to change without notice.

2022-12-8



The information contained herein is subject to change without notice.

2022-12-8