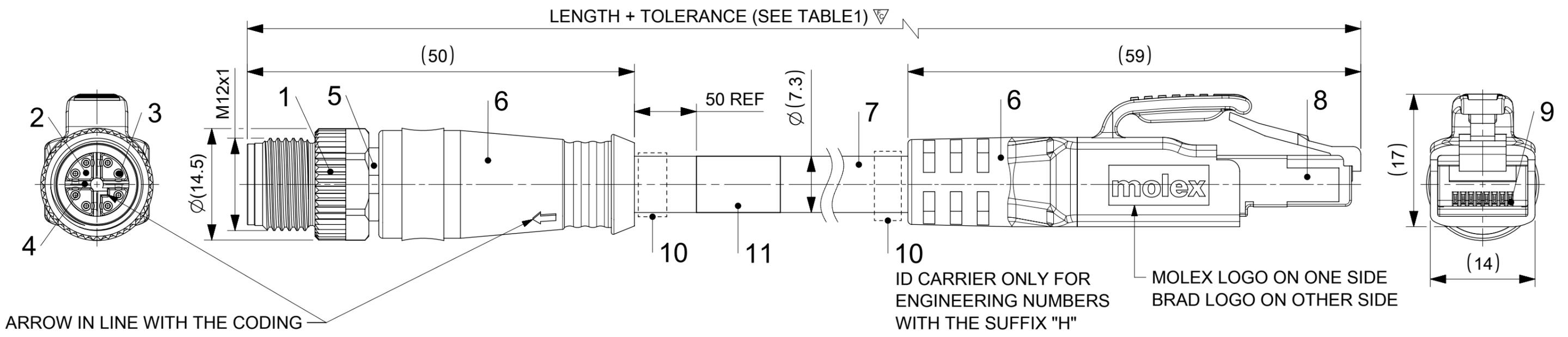


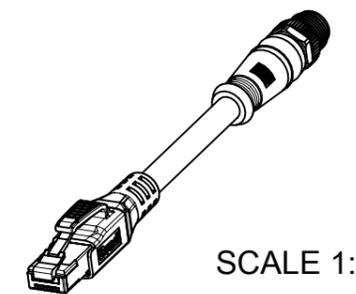
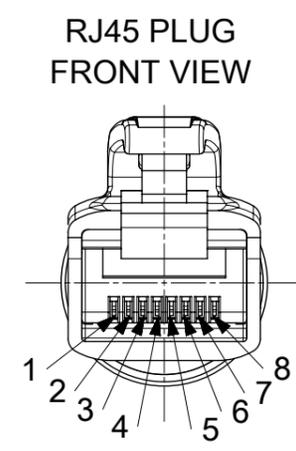
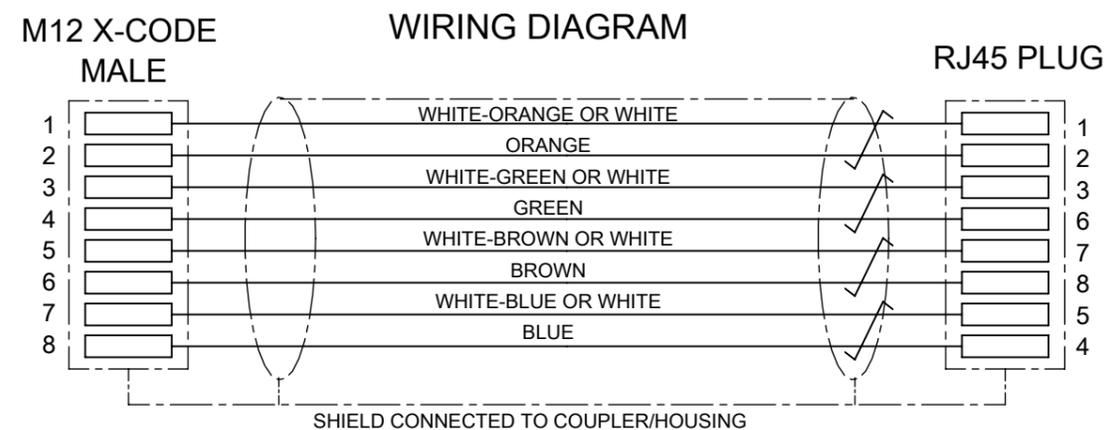
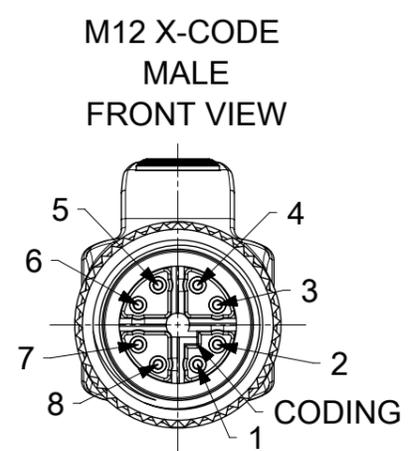
# PART No. MATRIX

**E 2 6 E 0 6 0 2 1 M X X X X**

E=ETHERNET/Ethernet  
 HEADS: 2 = M12 x Coding 6 = RJ45  
 HEADS STYLE: 060 = MALE STR / MALE STR  
 CABLE TYPE: CABLE 21  
 UNITS: M= METER T= 10xMETER  
 LENGTH EXAMPLES: 005=0.5 m 010=1 m 150=15 m T100=100 m  
 H= 2 PCS. OF I/D Carrier  
 WIRING TYPE: E=8 Pole (STRAIGHT WIRED)



ARROW IN LINE WITH THE CODING  
 BRAD LOGO ON OTHER SIDE



## BILL OF MATERIAL

ITEM	QTY	DESCRIPTION	MATERIAL	FINISH/COLOR
1	1	COUPLING NUT	BRASS	Ni PLATED
2	1	INSERT	PA	BLACK
3	8	CONTACT M12 XC MALE	BRASS	Au PLATED
4	1	SHIELDING CROSS	Zn DIE-CAST	-
5	1	SHIELDING SHELL	BRASS	Ni PLATED
6	-	OVERMOULD	TPU	BLACK
7	1	CABLE 4X(2X AWG26/7) CAT 7	TPE	GREEN TEAL SIMILAR RAL6026
8	1	PLUG RJ45	-	-
9	8	CONTACT RJ45	PHOSPHOR BRONZE	SELECTIVE Au PLATED
10	SEE PN MATRIX	ID CARRIER	PVC	TRANSPARENT
11	1	LABEL 2.0X1.75	VINYL	YELLOW

DOCUMENT STATUS: P1 RELEASE DATE: 2024/03/21 10:35:14

FUNCTIONAL SYMBOLS $\nabla/A = 0$ $\nabla/E = 1$ $\nabla/F = 0$	THIS DRAWING CONTAINS INFORMATION THAT IS PROPRIETARY TO MOLEX ELECTRONIC TECHNOLOGIES, LLC AND SHOULD NOT BE USED WITHOUT WRITTEN PERMISSION	SCALE: 2:1	CURRENT REV DESC: CABLE COLOR UPDATED			
	DIMENSION UNITS: mm	GENERAL TOLERANCES (UNLESS SPECIFIED)		<b>molex</b> CSE M12 CAT6A RJ45 8P MA STR TPE XM SHLD		
	ANGULAR TOL: $\pm 1.0^\circ$	4 PLACES $\pm$	EC NO: 780754			2024/03/20
	3 PLACES $\pm$	DRWN: RSCHIEBER	2024/03/21			
2 PLACES $\pm 0.05$	CHK'D: RSILLER	2024/03/21				
1 PLACE $\pm 0.3$	APPR: RSILLER		PRODUCT CUSTOMER DRAWING			
0 PLACES $\pm 0.5$	INITIAL REVISION:		DOCUMENT NUMBER: 1203410874	DOC TYPE: PSD	DOC PART: 000	REVISION: A6
DRAFT WHERE APPLICABLE MUST REMAIN WITHIN DIMENSIONS	THIRD ANGLE PROJECTION	DRAWING: A3-SIZE	SERIES: 120341	MATERIAL NUMBER: SEE TABLE 1	CUSTOMER: GENERAL MARKET	SHEET NUMBER: 1 OF 2

TABLE 1

MOLEX P/N	ENGINEERING NO.	DESCRIPTION	LENGTH
1203410874	E26E06021M005	M12 CAT6A M/RJ45 ST/ST TPE GREEN TEAL SIMILAR RAL6026	500
1203410875	E26E06021M010	M12 CAT6A M/RJ45 ST/ST TPE GREEN TEAL SIMILAR RAL6026	1000
1203410876	E26E06021M020	M12 CAT6A M/RJ45 ST/ST TPE GREEN TEAL SIMILAR RAL6026	2000
1203410877	E26E06021M030	M12 CAT6A M/RJ45 ST/ST TPE GREEN TEAL SIMILAR RAL6026	3000
1203410878	E26E06021M040	M12 CAT6A M/RJ45 ST/ST TPE GREEN TEAL SIMILAR RAL6026	4000
1203410879	E26E06021M050	M12 CAT6A M/RJ45 ST/ST TPE GREEN TEAL SIMILAR RAL6026	5000
1203410880	E26E06021M060	M12 CAT6A M/RJ45 ST/ST TPE GREEN TEAL SIMILAR RAL6026	6000
1203410897	E26E06021M070	M12 CAT6A M/RJ45 ST/ST TPE GREEN TEAL SIMILAR RAL6026	7000
1203410881	E26E06021M080	M12 CAT6A M/RJ45 ST/ST TPE GREEN TEAL SIMILAR RAL6026	8000
1203410898	E26E06021M090	M12 CAT6A M/RJ45 ST/ST TPE GREEN TEAL SIMILAR RAL6026	9000
1203410882	E26E06021M100	M12 CAT6A M/RJ45 ST/ST TPE GREEN TEAL SIMILAR RAL6026	10000
1203410883	E26E06021M150	M12 CAT6A M/RJ45 ST/ST TPE GREEN TEAL SIMILAR RAL6026	15000
1203410884	E26E06021M200	M12 CAT6A M/RJ45 ST/ST TPE GREEN TEAL SIMILAR RAL6026	20000
WITH ID CARRIER			
1203411039	E26E06021M010H	M12 CAT6A M/RJ45 ST/ST TPE GREEN TEAL SIMILAR RAL6026 ID	1000
1203411040	E26E06021M020H	M12 CAT6A M/RJ45 ST/ST TPE GREEN TEAL SIMILAR RAL6026 ID	2000
1203411041	E26E06021M030H	M12 CAT6A M/RJ45 ST/ST TPE GREEN TEAL SIMILAR RAL6026 ID	3000
1203411042	E26E06021M040H	M12 CAT6A M/RJ45 ST/ST TPE GREEN TEAL SIMILAR RAL6026 ID	4000
1203411043	E26E06021M050H	M12 CAT6A M/RJ45 ST/ST TPE GREEN TEAL SIMILAR RAL6026 ID	5000
1203411095	E26E06021M060H	M12 CAT6A M/RJ45 ST/ST TPE GREEN TEAL SIMILAR RAL6026 ID	6000
1203411097	E26E06021M080H	M12 CAT6A M/RJ45 ST/ST TPE GREEN TEAL SIMILAR RAL6026 ID	8000
1203411096	E26E06021M070H	M12 CAT6A M/RJ45 ST/ST TPE GREEN TEAL SIMILAR RAL6026 ID	7000
1203411004	E26E06021M100H	M12 CAT6A M/RJ45 ST/ST TPE GREEN TEAL SIMILAR RAL6026 ID	10000
1203411098	E26E06021M120H	M12 CAT6A M/RJ45 ST/ST TPE GREEN TEAL SIMILAR RAL6026 ID	12000
1203411005	E26E06021M150H	M12 CAT6A M/RJ45 ST/ST TPE GREEN TEAL SIMILAR RAL6026 ID	15000
1203411044	E26E06021M200H	M12 CAT6A M/RJ45 ST/ST TPE GREEN TEAL SIMILAR RAL6026 ID	20000
1203411099	E26E06021M250H	M12 CAT6A M/RJ45 ST/ST TPE GREEN TEAL SIMILAR RAL6026 ID	25000
1203411045	E26E06021M300H	M12 CAT6A M/RJ45 ST/ST TPE GREEN TEAL SIMILAR RAL6026 ID	30000
1203411046	E26E06021M350H	M12 CAT6A M/RJ45 ST/ST TPE GREEN TEAL SIMILAR RAL6026 ID	35000
1203411047	E26E06021M400H	M12 CAT6A M/RJ45 ST/ST TPE GREEN TEAL SIMILAR RAL6026 ID	40000
1203410989	E26E06021M450H	M12 CAT6A M/RJ45 ST/ST TPE GREEN TEAL SIMILAR RAL6026 ID	45000
1203411048	E26E06021M500H	M12 CAT6A M/RJ45 ST/ST TPE GREEN TEAL SIMILAR RAL6026 ID	50000
1203411049	E26E06021M550H	M12 CAT6A M/RJ45 ST/ST TPE GREEN TEAL SIMILAR RAL6026 ID	55000
1203410990	E26E06021M600H	M12 CAT6A M/RJ45 ST/ST TPE GREEN TEAL SIMILAR RAL6026 ID	60000
1203410991	E26E06021M650H	M12 CAT6A M/RJ45 ST/ST TPE GREEN TEAL SIMILAR RAL6026 ID	65000
1203410992	E26E06021M700H	M12 CAT6A M/RJ45 ST/ST TPE GREEN TEAL SIMILAR RAL6026 ID	70000
1203411050	E26E06021M750H	M12 CAT6A M/RJ45 ST/ST TPE GREEN TEAL SIMILAR RAL6026 ID	75000
1203410993	E26E06021M800H	M12 CAT6A M/RJ45 ST/ST TPE GREEN TEAL SIMILAR RAL6026 ID	80000
1203410994	E26E06021M850H	M12 CAT6A M/RJ45 ST/ST TPE GREEN TEAL SIMILAR RAL6026 ID	85000

NOTES:  
 VOLTAGE RATING: 30 V A.C. OR 42 V D.C.  
 CURRENT RATING: 0.5 A  
 TEMPERATURE RATING:  
 STATIC: -40 °C TO 80 °C  
 DYNAMIC: -25 °C TO 80 °C  
 IP RATING:  
 M12 SIDE IP 67 (IN MATED AND LOCKED CONDITION)  
 RJ45 SIDE IP 20  
 TRANSMISSION CHARACTERISTICS ACCORDING TO ISO/IEC 11801 CLASS E<sub>A</sub> CHANNEL,  
 WITH INSERTION LOSS BEING IGNORED FOR CABLE LENGTHS <1 m OR >65 m  
 POWER TRANSMISSION TEST ACCORDING IEEE802.3bt UP TO 65m LENGTH  
 PACKAGING: CORDSETS ARE PACKED IN A POLYBAG

LENGTH	TOLERANCE
0 m - 1 m	+40 mm
>1 m - 5 m	+60 mm
>5 m - 10 m	+80 mm
>10 m - 20 m	+140 mm
>20 m - 30 m	+160 mm
>30 m	+1% length

FUNCTIONAL SYMBOLS	THIS DRAWING CONTAINS INFORMATION THAT IS PROPRIETARY TO MOLEX ELECTRONIC TECHNOLOGIES, LLC AND SHOULD NOT BE USED WITHOUT WRITTEN PERMISSION	
SCALE	1:1	CURRENT REV DESC: CABLE COLOR UPDATED
DIMENSION UNITS	mm	
GENERAL TOLERANCES (UNLESS SPECIFIED)	EC NO: 780754	
ANGULAR TOL	± 1.0 °	DRWN: RSCHIEBER 2024/03/20
4 PLACES	±	CHK'D: RSILLER 2024/03/21
3 PLACES	±	APPR: RSILLER 2024/03/21
2 PLACES	± 0.05	INITIAL REVISION:
1 PLACE	± 0.3	DRWN: RSCHIEBER 2019/05/14
0 PLACES	± 0.5	APPR: RSILLER 2021/03/16
DRAFT WHERE APPLICABLE MUST REMAIN WITHIN DIMENSIONS	THIRD ANGLE PROJECTION	DRAWING
		A3-SIZE
		SERIES
		120341
		MATERIAL NUMBER
		SEE TABLE 1
		CUSTOMER
		GENERAL MARKET
		SHEET NUMBER
		2 OF 2



CSE M12 CAT6A RJ45 8P MA STR TPE XM SHLD

PRODUCT CUSTOMER DRAWING

DOCUMENT NUMBER	DOC TYPE	DOC PART	REVISION
1203410874	PSD	000	A6