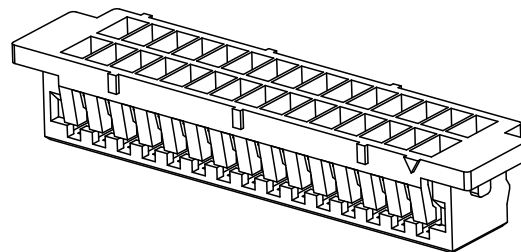
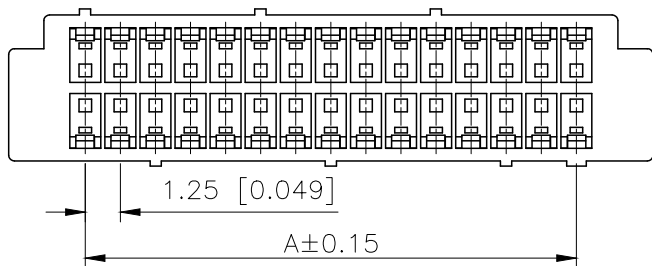


REVISIONS					
REV.	ECN NO.	LOCATION	DESCRIPTION	DATE	DESIGN
A0	N/A		INITIAL RELEASE	/	/
A1	N/A		图面升级整理图面	2024.9.19	阿树



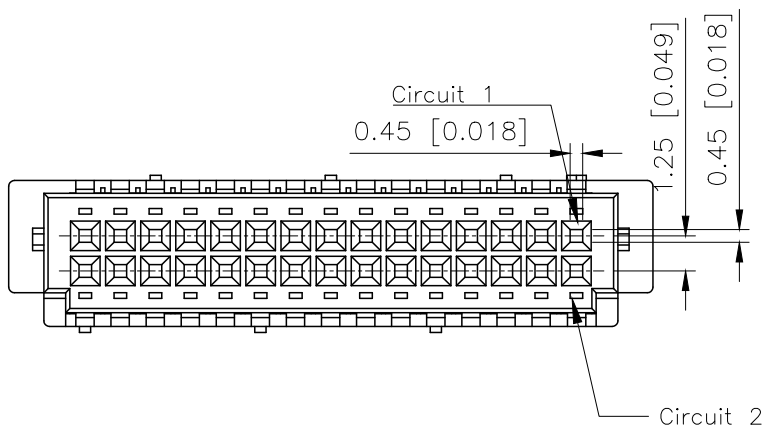
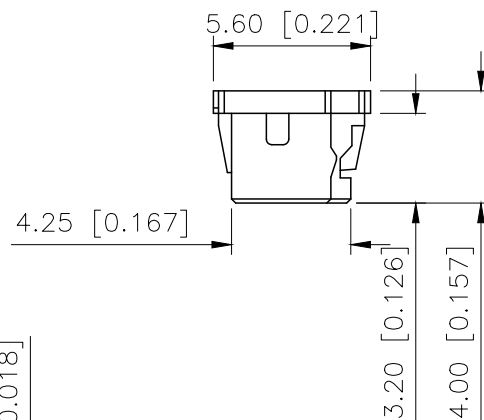
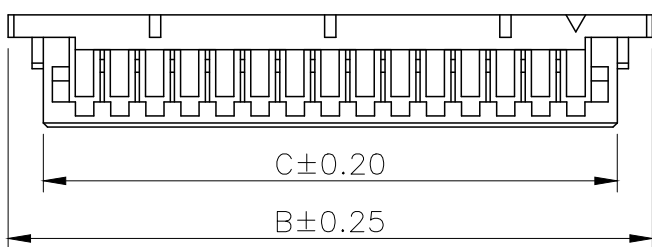
■SPECIFICATIONS

- Voltage rating:150V AC/DC
- Current rating:1A AC/DC
- Withstanding Voltage:500V AC/minute
- Temperature range:-40°C~+125°C
- Insulation resistance:≥500MΩ
- Contact resistance:≤30mΩ

PART NO.:

X9812 H-2xXX-N0
① ② ③ ④

- ①Series No
- ②Category:H-HSG
- ③Row No.Pin No:2xXX-2x02~2x25P
- ④Material:N0-Nylon 66 UL94V-0



Poles	Dimensions(mm)			Poles	Dimensions(mm)		
	A	B	C		A	B	C
02	1.25	6.70	4.20	13	15.00	20.45	17.95
03	2.50	7.95	5.45	14	16.25	21.70	19.20
04	3.75	9.20	6.70	15	17.50	22.95	20.45
05	5.00	10.45	7.95	16	18.75	24.20	21.70
06	6.25	11.70	9.20	17	20.00	25.45	22.95
07	7.50	12.95	10.45	18	21.25	26.70	24.20
08	8.75	14.20	11.70	19	22.50	27.95	25.45
09	10.00	15.45	12.95	20	23.75	29.20	26.70
10	11.25	16.70	14.20	21	25.00	30.45	27.95
11	12.50	17.95	15.45	25	30.00	35.45	32.95
12	13.75	19.20	16.70				

X9812H-2xXX-N0	Nylon 66 UL94V-0	X9812W	X9812T
PART NO	Material	Suitable XKB Wafer	Suitable XKB Terminal

AuGLAR	±5°
X.	±0.40
X.x	±0.30
X.xx	±0.20
X.xxx	±0.15
UNSPECIFIED TOLERANCES	



DESIGN	阿树	VIEW:		MODEL TYPE:	1.25mm Crimp Style Connector
CHECKED		UNIT:	mm/in	PART NO.:	X9812H-2xXX-N0
APPROVED		SIZE:	A4	DWG NO.:	

XKB INDUSTRIAL PRECISION CO.,LIMITED

SCALE	PAGE	REVISION
N/A	1/1	A1