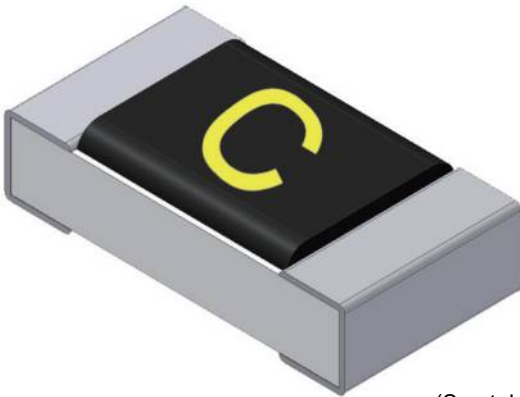


RoHS  
Compliant



(See table on page 4 for markings)

## Specifications:

### Electrical Characteristics:

Rated Current	1 In Min.	2 In Max.	3 In Max.
0.2A to 7A	4 Hour	120 Second	3 Second

Environmental Temperature at 25°C

### Interrupting Ratings:

50A at 32V AC  
50A at 63V DC

### Environmental Specifications:

#### Operating Temperature:

-55°C to +125°C

#### Thermal Shock:

MIL-STD-202G, Method 213, Condition 1 (100G's peak for 6 milliseconds)

#### Vibration:

MIL-STD-202G, Method 204, Test Condition C

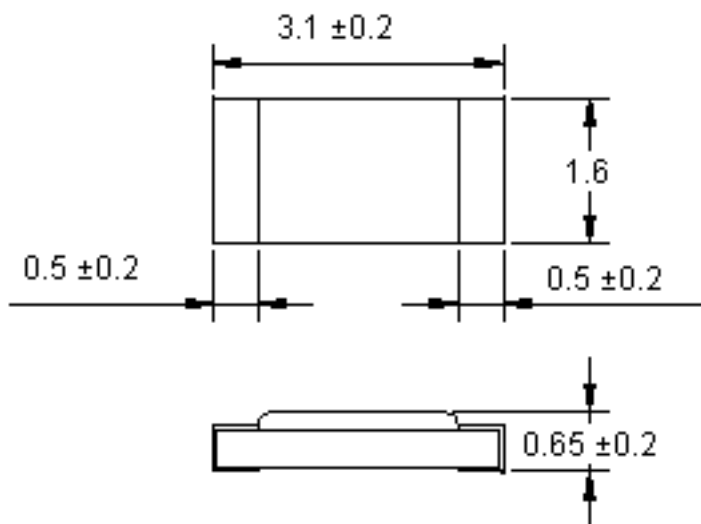
#### Moisture Resistance:

MIL-STD-202G, Method 106, 10 day cycle

### Materials:

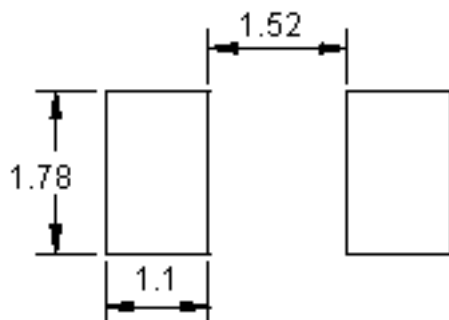
Construction Body Material : Ceramic  
Termination Material : Copper (Cu), Nickel (Ni), Tin (Sn)  
Fuse Element : Copper (Cu), Tin (Sn)

## Dimensions

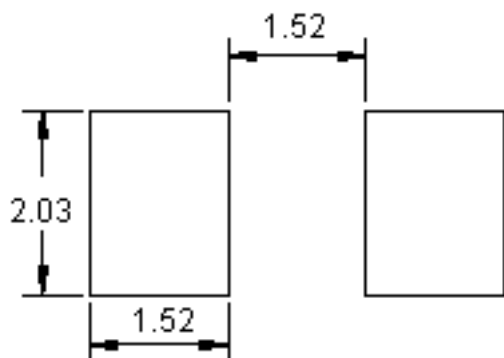


Dimensions : Millimetres

## Recommended Land Pattern



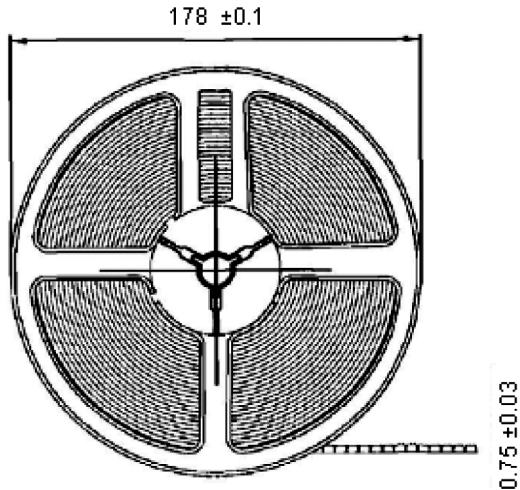
Reflow Solder



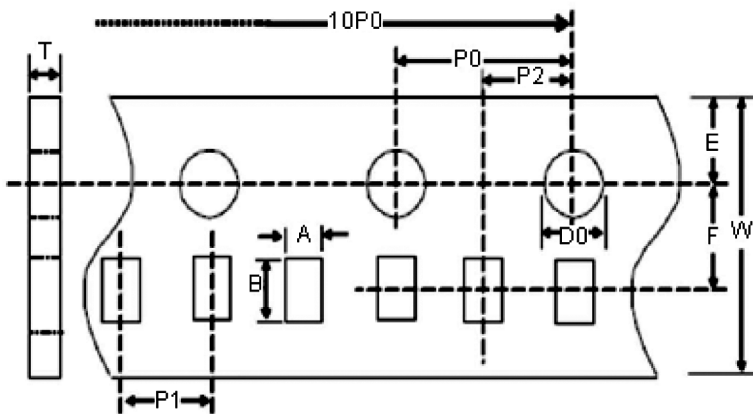
Waver Solder

Dimensions : Millimetres

## Tape and Reel Specifications:



Dimensions : Millimetres



Dimensions : Millimetres

Item	A	B	W	E	F	P0	P1	P2	D0	T	10P0
Criterion	2	3.5	8	1.75	3.5	4	4	2	1.55	0.75	40
	0.05	0.05	0.1	0.05	0.05	0.1	0.1	0.05	0.05	0.03	0.1
	-0.05	-0.05	-0.1	-0.05	-0.05	-0.1	-0.1	-0.05	-0.05	-0.03	-0.1
Maximum	2.05	3.55	8.1	1.8	3.55	4.1	4.1	2.05	1.6	0.78	40.1
Minimum	1.95	3.45	7.9	1.7	3.45	3.9	3.9	1.95	1.5	0.72	39.9

Tape and Reel Quantity : 5,000 pcs/reel.

## Part Number Table

Description	Marking	Ampere Rating (In)	Voltage Rating (V)	Nominal Resistance Cold ( $\Omega$ )	Nominal Melting $I^2t$ A <sup>2</sup> Second	Part Number
Fuse, SMD, 1206, 0.2A	C	200mA	63V	1.75	0.004	MC12CT.200
Fuse, SMD, 1206, 0.25A	D	250mA		1.1	0.006	MC12CT.250
Fuse, SMD, 1206, 0.375A	E	375mA		0.48	0.015	MC12CT.375
Fuse, SMD, 1206, 0.5A	F	500mA		0.37	0.027	MC12CT.500
Fuse, SMD, 1206, 0.75A	G	750mA		0.16	0.062	MC12CT 750
Fuse, SMD, 1206, 1A	H	1A	63V	0.1	0.111	MC12CT 001
Fuse, SMD, 1206, 1.25A	J	1.25A		0.068	0.173	MC12CT 1.25
Fuse, SMD, 1206, 1.5A	K	1.5A		0.044	0.249	MC12CT 1.50
Fuse, SMD, 1206, 1.75A	L	1.75A		0.038	0.339	MC12CT 1.75
Fuse, SMD, 1206, 2A	N	2A		0.031	0.444	MC12CT 002
Fuse, SMD, 1206, 2.5A	O	2.5A		0.024	0.693	MC12CT 2.50
Fuse, SMD, 1206, 3A	P	3A		0.017	0.999	MC12CT 003
Fuse, SMD, 1206, 4A	S	4A		0.013	1.776	MC12CT 004
Fuse, SMD, 1206, 5A	T	5A		0.008	2.775	MC12CT 005
Fuse, SMD, 1206, 7A	U	7A		0.006	5.493	MC12CT 007

**Important Notice** : This data sheet and its contents (the "Information") belong to the members of the Premier Farnell group of companies (the "Group") or are licensed to it. No licence is granted for the use of it other than for information purposes in connection with the products to which it relates. No licence of any intellectual property rights is granted. The Information is subject to change without notice and replaces all data sheets previously supplied. The Information supplied is believed to be accurate but the Group assumes no responsibility for its accuracy or completeness, any error in or omission from it or for any use made of it. Users of this data sheet should check for themselves the Information and the suitability of the products for their purpose and not make any assumptions based on information included or omitted. Liability for loss or damage resulting from any reliance on the Information or use of it (including liability resulting from negligence or where the Group was aware of the possibility of such loss or damage arising) is excluded. This will not operate to limit or restrict the Group's liability for death or personal injury resulting from its negligence. Multicomp is the registered trademark of the Group. © Premier Farnell plc 2012.