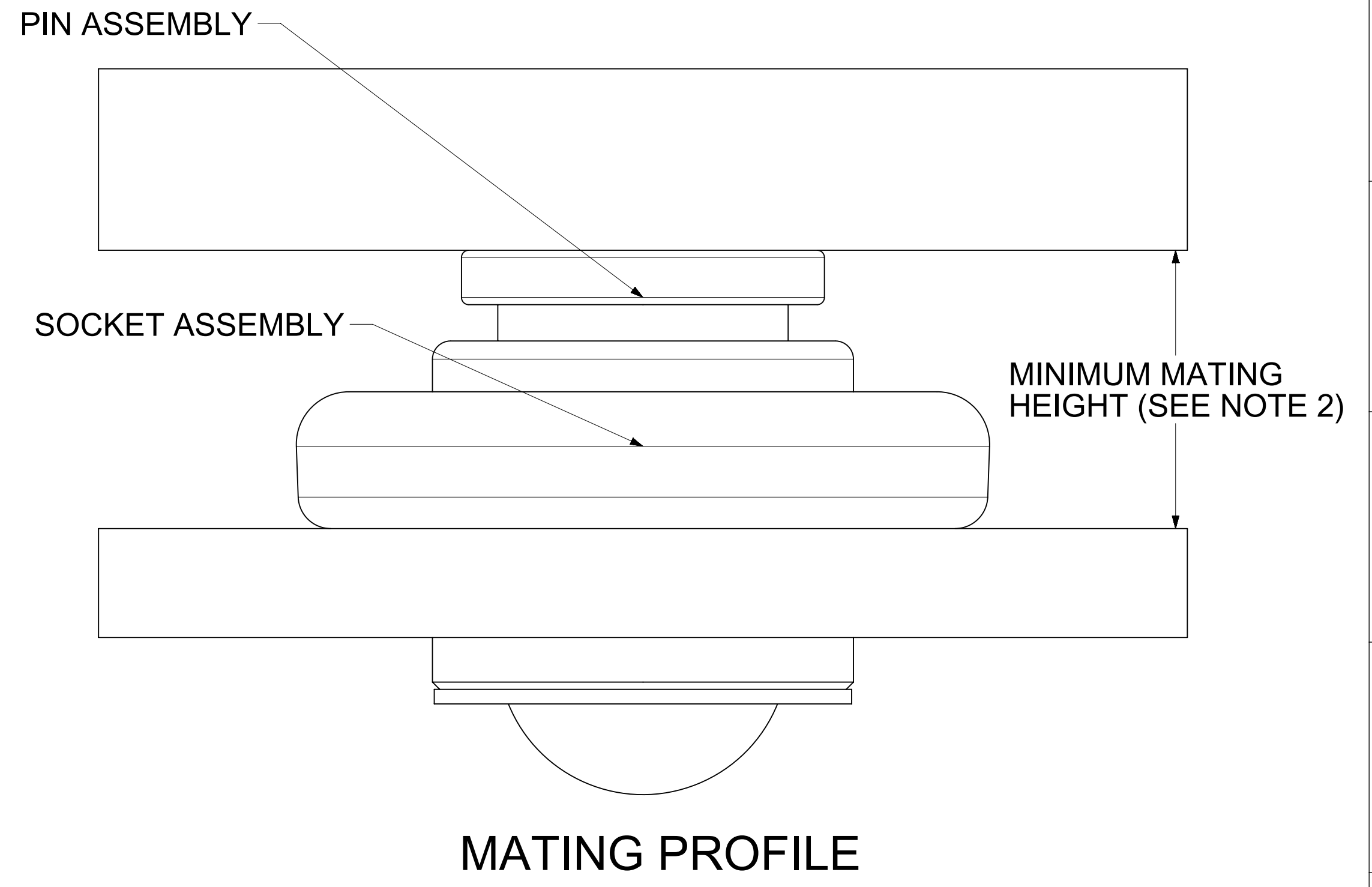
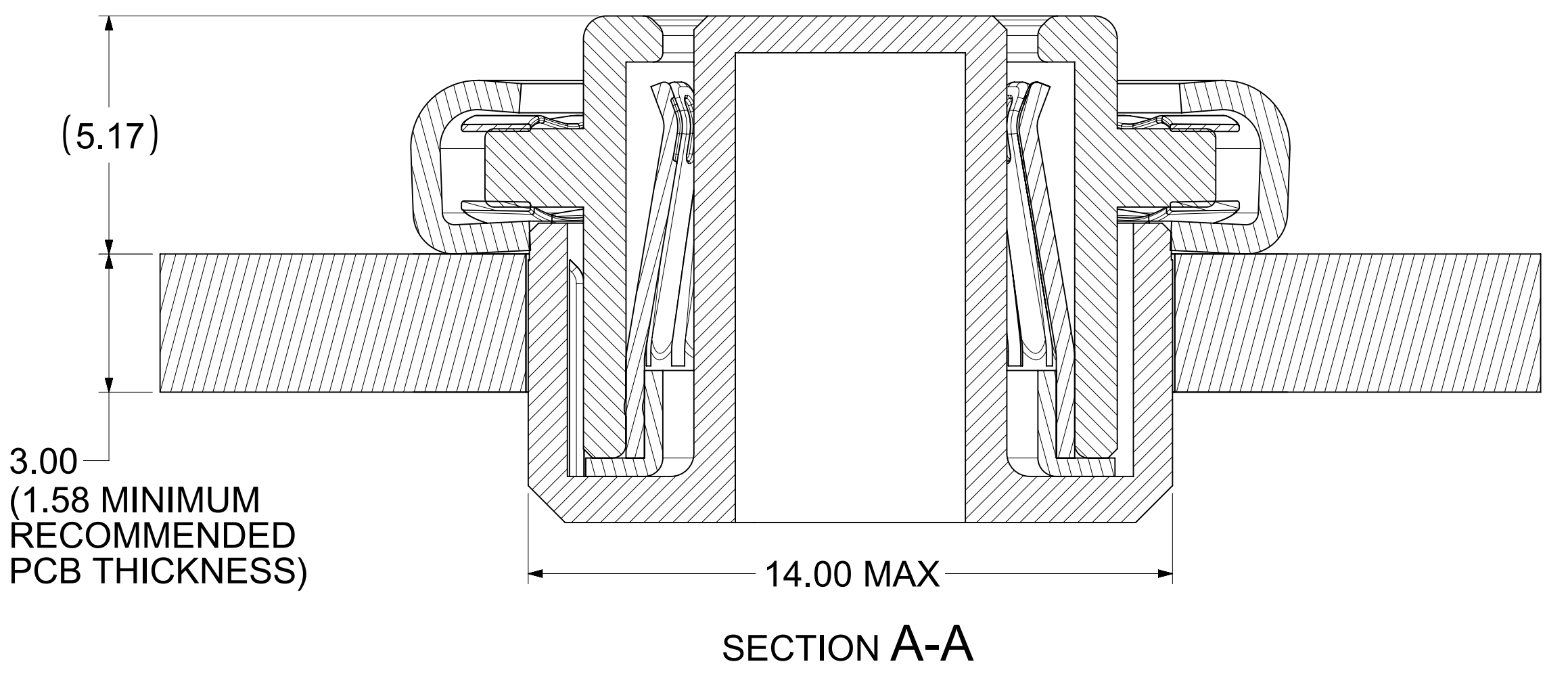
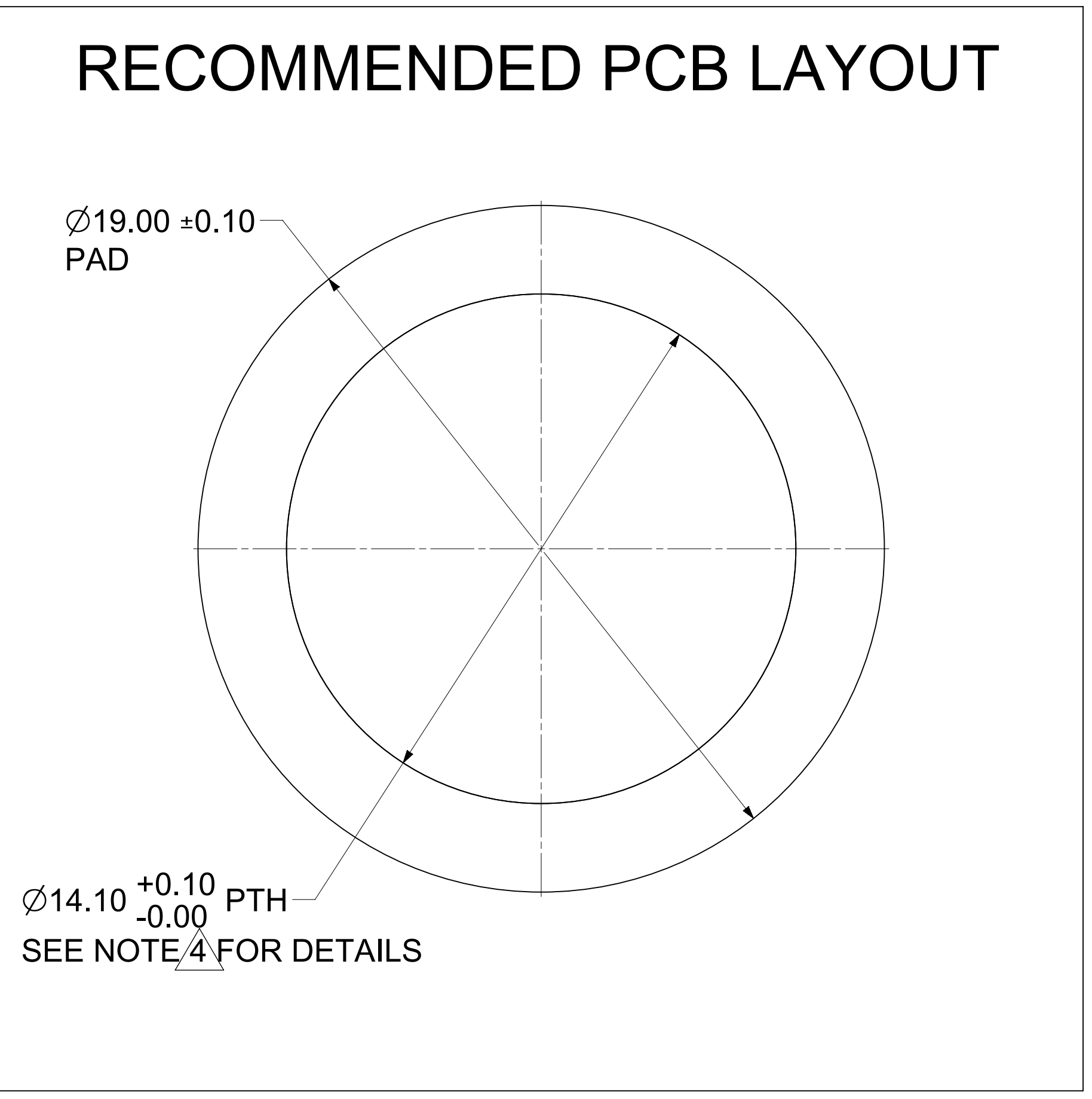
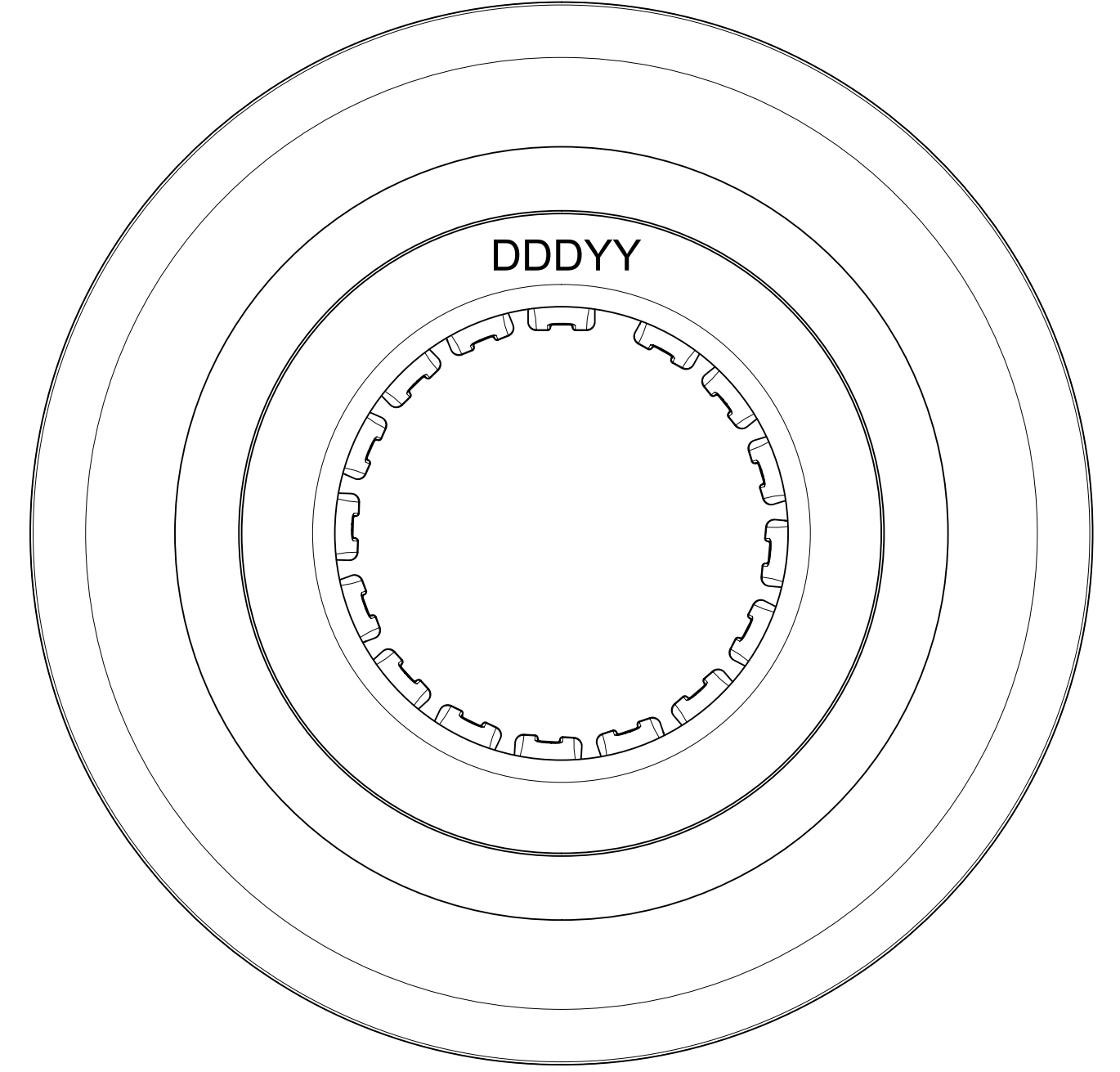
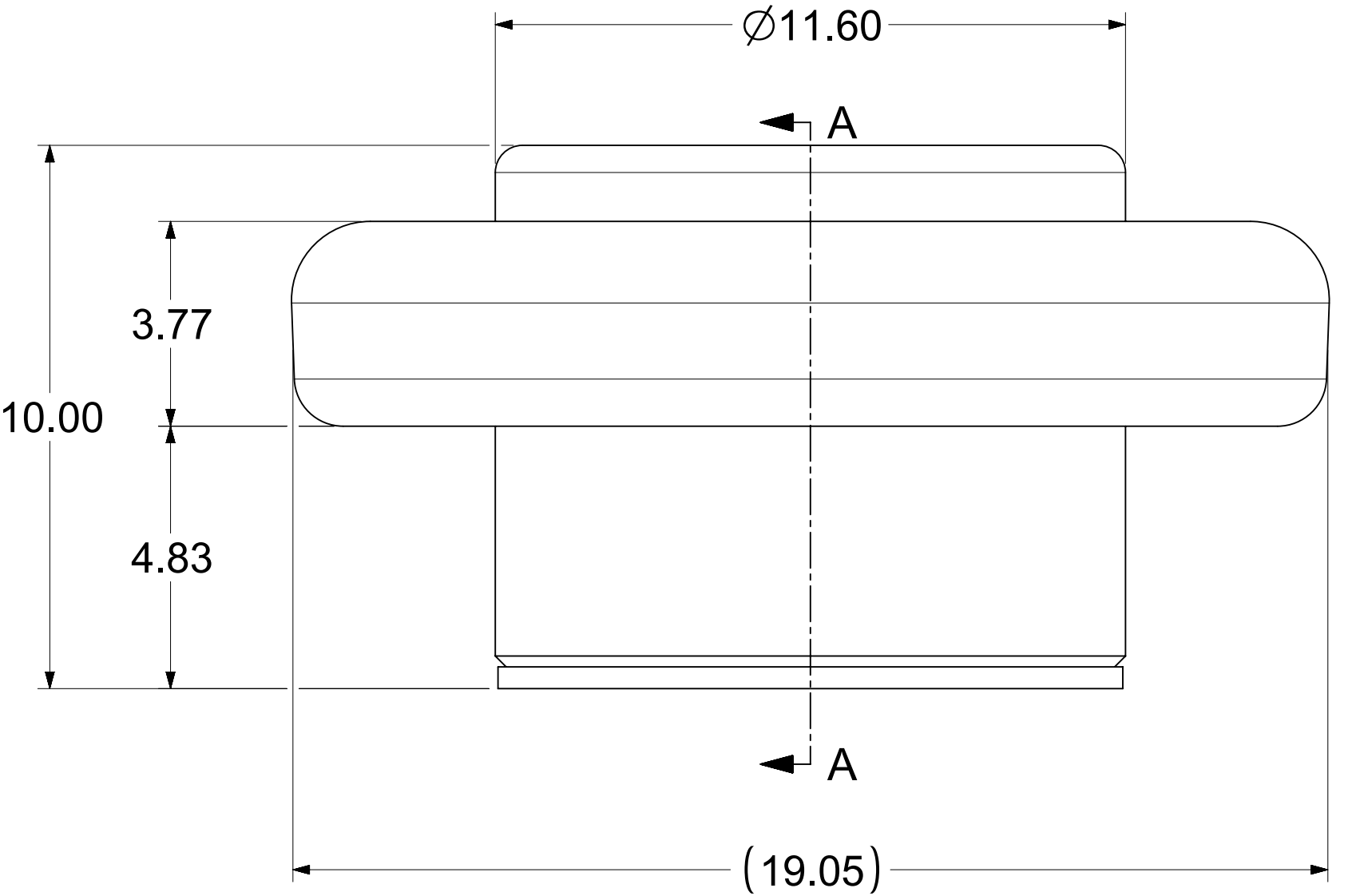


REMOVABLE PICK AND PLACE CAP SHOWN



- NOTES:**
1. MATERIALS:
 RETENTION CAP: STAINLESS STEEL
 PICK AND PLACE CAP: LCP UL94, V-0 COLOR BLACK
 BASE METAL: HIGH CONDUCTIVE COPPER ALLOY
 PLATING ON CONTACTS: 0.75 MICRON MIN GOLD OVER 1.27 MICRON MIN NICKEL
 PLATING ON BODY: 3.18 MICRON MIN SILVER OVER 1.27 MICRON MIN NICKEL
 2. MATES WITH THE STANDARD PIN DRAWINGS:
 - i. 8.0MM SMT DRAWING 2032633080-SD, MIN. MATING DISTANCE 7.32MM
 - ii. 8.0MM PRESS FIT DRAWING 2032630001-SD, MIN. MATING DISTANCE 7.67MM
 - iii. 8.0MM SCREW MOUNT DRAWING 2032634185-SD, MIN. MATING DISTANCE 10.67MM
 3. PRODUCT SPECIFICATION: 2043130001-PS
 4. APPLICATION SPECIFICATION: 2043130001-AS.
 SEE APPLICATION SPEC FOR SOLDERING INFORMATION.
 5. PACKAGING SPECIFICATION: 2043650000-PK
 6. SILVER COMPONENTS WILL BE SUPPLIED TARNISH FREE. BUT MAY TARNISH OVER TIME.
 7. PICK AND PLACE CAP TO BE REMOVED AFTER SOLDERING. CAP TO BE PUSHED OUT OF BOTTOM FROM THE TOP.
 8. DATE CODE TO BE LASER MARKED APPROXIMATELY WHERE SHOWN USING DDYY FORMAT.

THIS DRAWING CONTAINS INFORMATION THAT IS PROPRIETARY TO MOLEX ELECTRONIC TECHNOLOGIES, LLC AND SHOULD NOT BE USED WITHOUT WRITTEN PERMISSION													
DIMENSION UNITS: mm		SCALE: NTS		CURRENT REV DESC: UPDATED NOTE NO. 2						molex			
GENERAL TOLERANCES (UNLESS SPECIFIED)				EC NO: 770668				8.0MM SENTRALITY TOP ENTRY SMT SOCKET WITH FLOAT IN T&R					
ANGULAR TOL ± 0.5°				DRWN: SOURAJ 2023/12/05									
4 PLACES ±				CHK'D: SCS02 2023/12/15				PRODUCT CUSTOMER DRAWING					
3 PLACES ±				APPR: KPRASAD 2023/12/19				DOCUMENT NUMBER		DOC TYPE	DOC PART	REVISION	
2 PLACES ± 0.15				INITIAL REVISION:				2121950010-SD		PSD	000	B3	
1 PLACE ± 0.25				DRWN: NVELUSAMY 2019/01/24									
0 PLACES ±				APPR: BPISZCZOR 2019/04/05				MATERIAL NUMBER		CUSTOMER		SHEET NUMBER	
DRAFT WHERE APPLICABLE MUST REMAIN WITHIN DIMENSIONS				THIRD ANGLE PROJECTION		DRAWING: D-SIZE		SERIES: 212195		2121950010		GENERAL MARKET	1 OF 1

DOCUMENT STATUS	P1	RELEASE DATE	2023/12/19	10:04:02
-----------------	----	--------------	------------	----------