

# VS-A-F-IP67-BK - Panel-mount frame



1658668

<https://www.phoenixcontact.com/us/products/1658668>

Please be informed that the data shown in this PDF document is generated from our online catalog. Please find the complete data in the user documentation. Our general terms of use for downloads are valid.



Panel mounting frame, IP67, for Freenet system, for round panel cutout, with grommet, without mounting screws, color: black

## Commercial data

Item number	1658668
Packing unit	5 pc
Minimum order quantity	1 pc
Sales key	AB17
Product key	ABNND A
Catalog page	Page 351 (C-2-2019)
GTIN	4046356163200
Weight per piece (including packing)	6.6 g
Weight per piece (excluding packing)	6.39 g
Customs tariff number	85389099
Country of origin	DE

# VS-A-F-IP67-BK - Panel-mount frame



1658668

<https://www.phoenixcontact.com/us/products/1658668>

## Technical data

### Product properties

Product type	Panel-mount frame
Application	Freenet
Type	Version 6
Number of positions	8
Connection profile	RJ45
Number of slots	1
Type	RJ45

### Data management status

Article revision	01
------------------	----

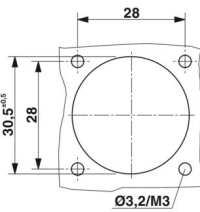
### Insulation characteristics

Degree of pollution	2
---------------------	---

### Electrical properties

Transmission medium	Copper
---------------------	--------

### Dimensions

Dimensional drawing	
Width	36 mm
Height	36 mm
Depth	27.5 mm
Length	27.6 mm

### Material specifications

Color	black
Material	Plastic
Flammability rating according to UL 94	V0
Seal material	NBR
Seal material, flat gasket	NBR
Housing material	Plastic
Housing surface material	PA, light gray
Contact surface material	Au/Ni
Contact carrier material	Polyester GF

# VS-A-F-IP67-BK - Panel-mount frame



1658668

<https://www.phoenixcontact.com/us/products/1658668>

## Mechanical properties

### Mechanical data

Insertion/withdrawal cycles	≥ 1000
-----------------------------	--------

## Environmental and real-life conditions

### Ambient conditions

Degree of protection	IP65/IP67
Ambient temperature (operation)	-40 °C ... 80 °C

## Mounting

Mounting type	Front mounting
---------------	----------------

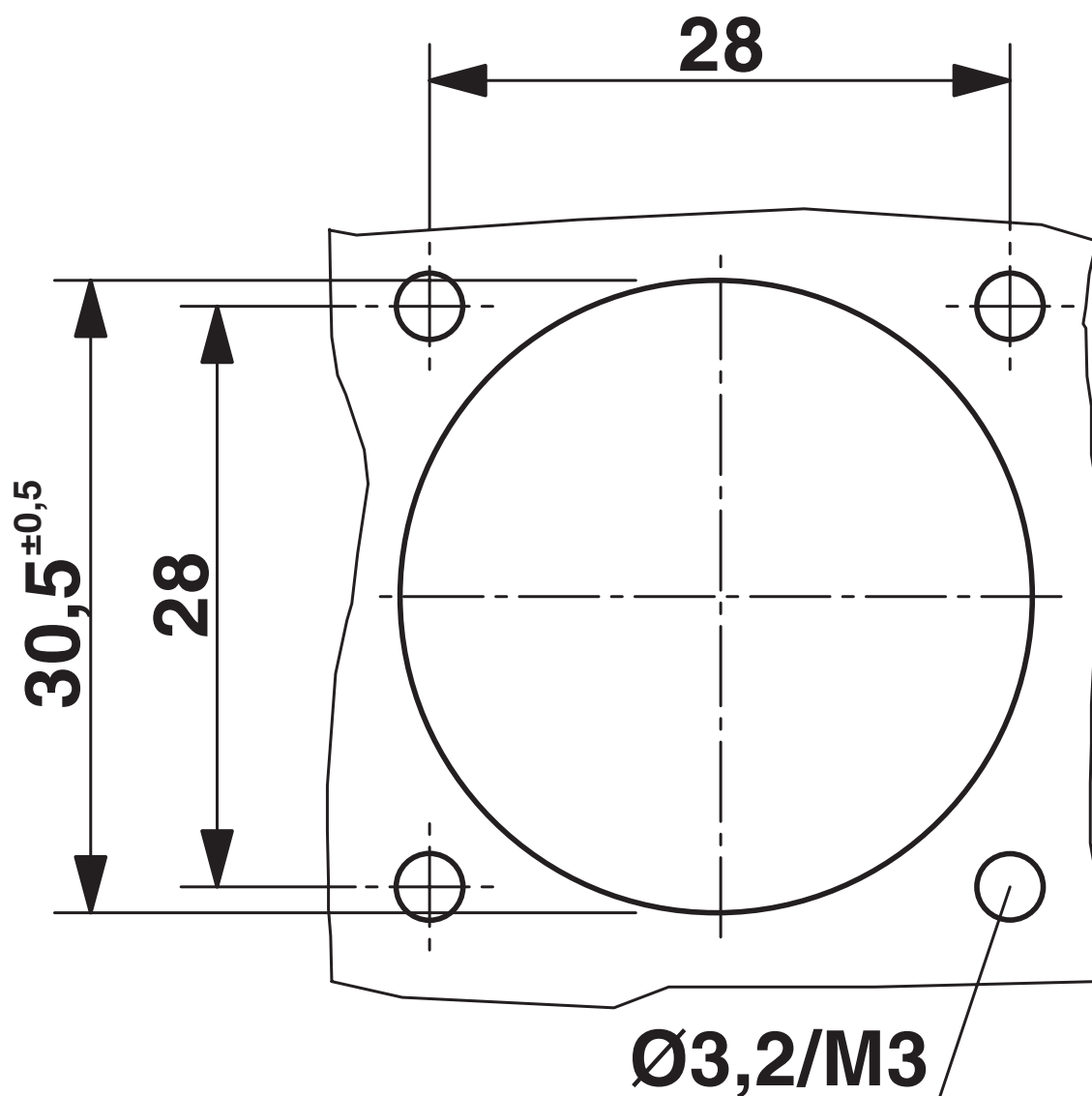
# VS-A-F-IP67-BK - Panel-mount frame

1658668

<https://www.phoenixcontact.com/us/products/1658668>

## Drawings

Dimensional drawing



Mounting cutout

# VS-A-F-IP67-BK - Panel-mount frame



1658668

<https://www.phoenixcontact.com/us/products/1658668>

## Classifications

### ECLASS

ECLASS-11.0	27440210
ECLASS-12.0	27440210
ECLASS-13.0	27440210

### ETIM

ETIM 9.0	EC002310
----------	----------

### UNSPSC

UNSPSC 21.0	39121400
-------------	----------

# VS-A-F-IP67-BK - Panel-mount frame



1658668

<https://www.phoenixcontact.com/us/products/1658668>

## Environmental product compliance

### EU RoHS

Fulfills EU RoHS substance requirements	Yes, No exemptions
---	--------------------

### China RoHS

Environment friendly use period (EFUP)	EFUP-E
	No hazardous substances above the limits

### EU REACH SVHC

REACH candidate substance (CAS No.)	No substance above 0.1 wt%
-------------------------------------	----------------------------

Phoenix Contact 2024 © - all rights reserved  
<https://www.phoenixcontact.com>

Phoenix Contact USA  
586 Fulling Mill Road  
Middletown, PA 17057, United States  
(+717) 944-1300  
[info@phoenixcon.com](mailto:info@phoenixcon.com)