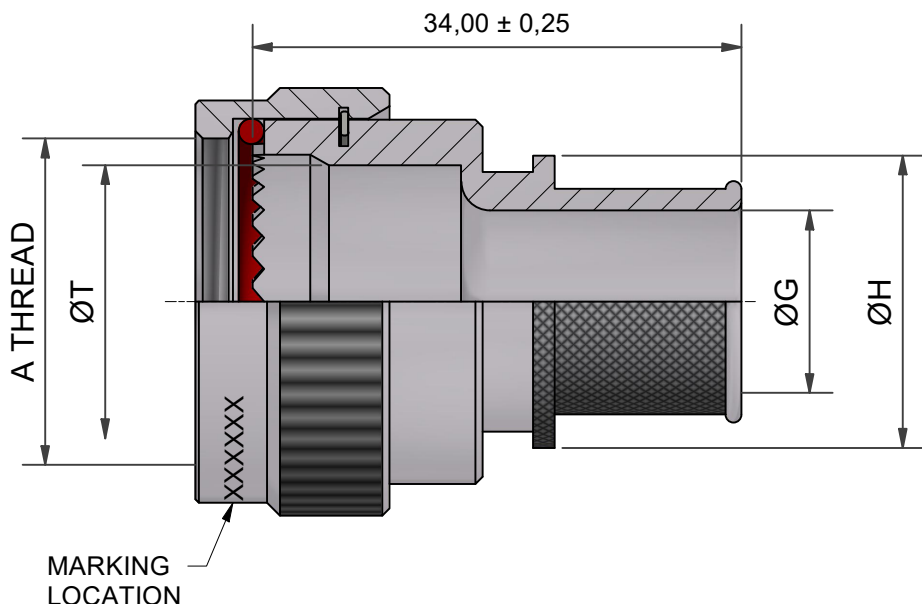
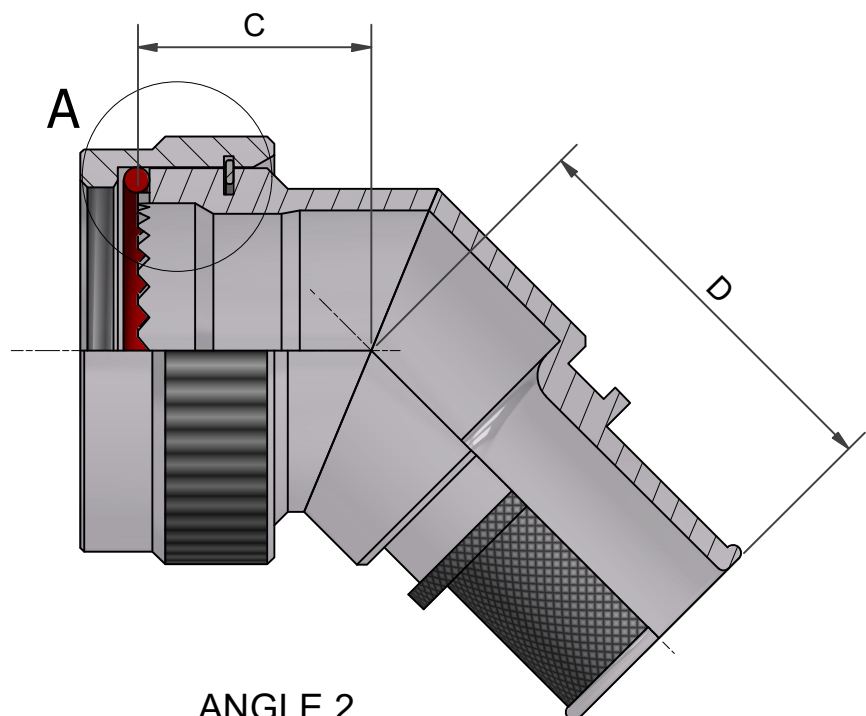


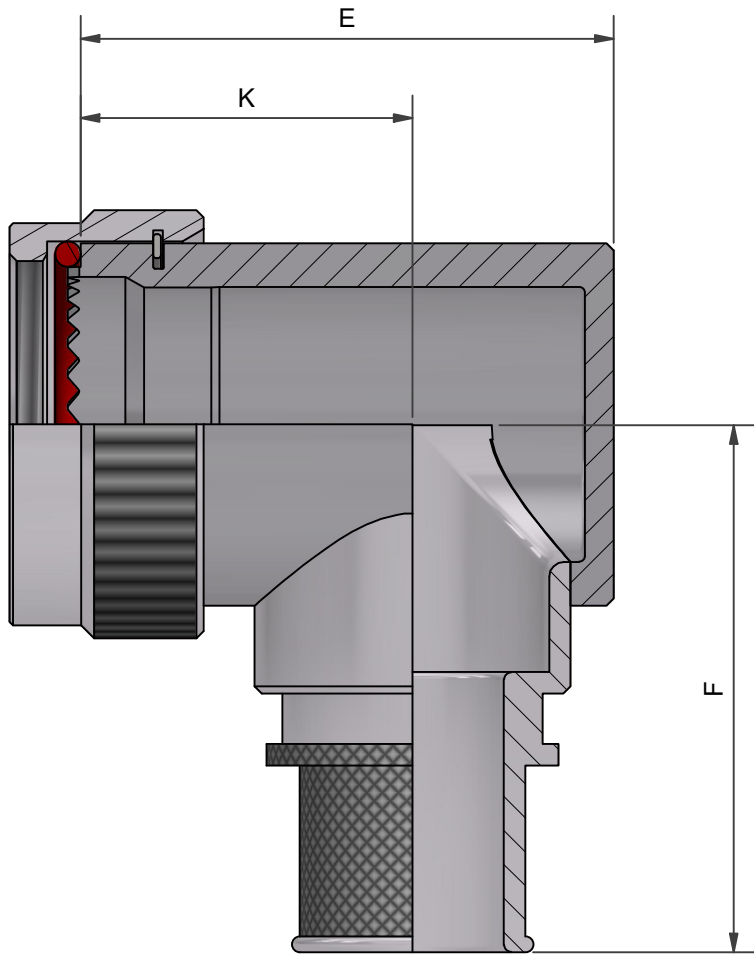
ISS / REV	DESCRIPTION	CHANGED BY	DATE
2	DCR 5763 + 5764	R.CL	11/05/18
AA	CRN 26424	N.H	01/03/24
AB	CRN 26424	N.H	23/05/24



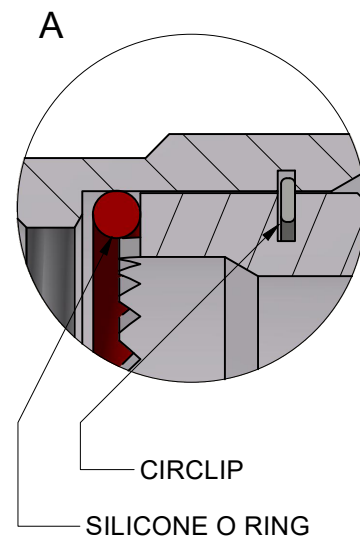
ANGLE 1

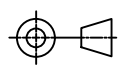



ANGLE 2



ANGLE 3



<b>DRAWN</b>	R.CL	<b>DATE</b>	11/05/2018	 3RD ANGLE PROJECTION NOT TO SCALE	<b>PART NUMBER:</b>				 POLAMCO
<b>SALES APPR</b>	M.PAUL	<b>DATE</b>	11/05/2018		<b>91D SERIES</b>				
<b>DESIGN APPR</b>	K.SHEPPARD	<b>DATE</b>	11/05/2018		<b>TITLE:</b>				
<b>PROD APPR</b>	K.SMITH	<b>DATE</b>	11/05/2018						
<b>QUAL APPR</b>	P.REES	<b>DATE</b>	11/05/2018		<b>ASSY USED ON:</b>				
<b>ISSUE/REV</b>	<b>AB</b>	<b>CRN</b>	<b>26424</b>	THIS DRAWING IS COPYRIGHT AND THE PROPERTY OF POLAMCO LTD IT MUST NOT BE COPIED, USED FOR MANUFACTURE OR OTHERWISE DISCLOSED WITHOUT PRIOR WRITTEN CONSENT OF THE COMPANY.					
<b>NCAGE CODE</b>	U5792	<b>WEIGHT</b>						POLAMCO LTD, WESTON LOCK, LOWER BRISTOL ROAD BATH BA2 1EP	

UNLESS OTHERWISE SPECIFIED ALL DIMENSIONS IN MILLIMETRES  
**GENERAL TOL**  
 LINEAR +/-0,25MM  
 ANGULAR +/- 1°  
**MATERIAL**  
 SEE PART NUMBER BREAKDOWN  
**FINISH**  
 SEE PART NUMBER BREAKDOWN

TABLE 1

SHELL SIZE	A THREAD	ØB MAX	ØT MIN	C ±0,5	D MAX	E MAX	F MAX	K ±0,5
08	7/16-28 UNF	17,3	7,0	14,1	25,7	25,2	30,4	17,5
10	9/16-24 UNEF	20,3	9,6	14,9	26,9	28,2	32,2	18,6
12	11/16-24 UNEF	23,8	13,3	15,3	27,3	31,7	33,7	20,5
14	13/16-20 UNEF	26,8	15,7	16,2	28,2	35,2	35,2	22,5
16	15/16-20 UNEF	29,8	18,8	16,5	29,0	38,2	36,9	24,0
18	1 1/16-18 UNEF	33,3	21,2	17,3	29,3	41,7	38,5	26,0
20	1 3/16-18 UNEF	36,3	24,4	18,2	30,1	45,2	41,1	28,0
22	1 5/16-18 UNEF	39,8	27,6	18,5	30,5	48,2	41,6	29,5
24	1 7/16-18 UNEF	42,8	30,8	19,4	31,4	51,2	43,1	31,0

TABLE 2

ENTRY SIZE	ØG MIN	ØH MAX	SPRING REF:
03	4,77	13,9	HE050
04	6,35	13,9	HE050
05	7,92	15,5	HE100
06	9,52	17,2	HE100
07	11,10	18,7	HE100
08	12,70	20,3	HE200
09	14,27	21,9	HE200
10	15,88	23,5	HE200
11	17,47	25,1	HE200
12	19,05	26,7	HE300
13	20,62	28,3	HE300
14	22,23	29,9	HE300
15	23,82	31,5	HE300
16	25,40	33,1	HE300
17	27,00	34,7	HE400
18	28,60	36,3	HE400
19	30,20	37,9	HE400
20	31,80	39,5	HE400
21	33,38	41,1	HE400
22	35,00	42,7	HE400
23	36,58	44,3	HE400
24	38,10	45,9	HE400

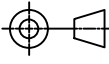

TABLE 3

CODE	MATERIAL / FINISH
1-C	ALUMINIUM / ELECTROLESS NICKEL
1-B	ALUMINIUM / CADMIUM OLIVE DRAB OVER ELECTROLESS NICKEL
1-ZB	ALUMINIUM / ZINC COBALT OLIVE DRAB OVER ELECTROLESS NICKEL
1-ZN	ALUMINIUM / ZINC NICKEL BLACK PASSIVATE OVER ELECTROLESS NICKEL
4-J	STAINLESS STEEL / PASSIVATE
2-Z	NICKEL ALUMINIUM BRONZE / SHOT BLAST

SEE SS0076 FOR FULL RANGE OF FINISH OPTIONS

91D1-16-08-1-C-HE200

SERIES \_\_\_\_\_  
CONNECTOR INTERFACE \_\_\_\_\_  
ANGLE \_\_\_\_\_  
SHELL SIZE (TABLE 1) \_\_\_\_\_  
ENTRY SIZE (TABLE 2) \_\_\_\_\_  
MATERIAL: ALUMINIUM ALLOY \_\_\_\_\_  
FINISH (TABLE 3) \_\_\_\_\_  
SPRING REFERENCE (TABLE 2) \_\_\_\_\_  
SPRING REFERENCE NOT INCLUDED IN PART MARKING  
e.g 91D1-16-08-1-C [BATCH NUMBER]

<b>DRAWN</b>	R.CL	<b>DATE</b> 11/05/2018	 3RD ANGLE PROJECTION NOT TO SCALE <small>UNLESS OTHERWISE SPECIFIED ALL DIMENSIONS IN MILLIMETRES</small> <b>GENERAL TOL</b> <small>LINEAR +/-0,25MM</small> <small>ANGULAR +/- 1°</small>	<b>PART NUMBER:</b>		 POLAMCO			
<b>SALES APPR</b>	M.PAUL	11/05/2018		<b>91D SERIES</b>					
<b>DESIGN APPR</b>	K.SHEPPARD	11/05/2018		<b>TITLE:</b>					
<b>PROD APPR</b>	K.SMITH	11/05/2018		<b>SPRING TERMINATION BACKSHELL</b>					
<b>QUAL APPR</b>	P.REES	11/05/2018		<b>ASSY USED ON:</b>					
<b>ISSUE/REV</b> AB	<b>CRN</b> 26424	<b>WEIGHT</b>	SEE PART NUMBER BREAKDOWN		<b>FINISH</b> SEE PART NUMBER BREAKDOWN	<small>THIS DRAWING IS COPYRIGHT AND THE PROPERTY OF POLAMCO LTD IT MUST NOT BE COPIED, USED FOR MANUFACTURE OR OTHERWISE DISCLOSED WITHOUT PRIOR WRITTEN CONSENT OF THE COMPANY.</small>	<small>POLAMCO LTD, WESTON LOCK, LOWER BRISTOL ROAD BATH BA2 1EP</small>	<b>SHT</b> 2	<b>DRAWING NO:</b> P11308
<b>NCAGE CODE</b> U5792									