

Model Number Legend

G2R --- VDC
 1 2 3 4 5 6 7 8 9 10

1. Relay Function

None: General-purpose
 K: Double-winding latching.

2. Number of Poles

1: 1 pole
 2: 2 poles

3. Contact Form

None: PDT
 A: PST-NO

4. Contact Type

None: Single
 Z: Bifurcated
 3: Bifurcated crossbar

5. Enclosure Ratings

None: Flux protection
 4: Fully sealed

6. Terminals

None: Straight PCB
 S: Plug-in
 T: Quick-connect (upper bracket mounting)

7. Classification

None: General-purpose
 E: High-capacity
 H: High-sensitivity
 N: LED indicator
 D: Diode
 ND: LED indicator and diode

8. Test button

1: Test button
Note: Applied for only SN and SND type

9. Contact Material

None: AgCdO
 ASI: AgSnIn

10. Rated Coil Voltage

Refer to *Coil Ratings*.

■ Accessories (Order Separately)

Connecting Sockets

| Number of poles | Applicable Relay model | Track/surface-mounting Socket | Back-mounting Socket | |
|-----------------|--|-------------------------------|----------------------|-------------------|
| | | | Terminals | Model |
| 1 pole | G2R-1-S(N)(D)(ND)(NI)(NDI) G2R-13-S (G2R-1A3-S) | P2RF-05-E P2RF-05 | PCB terminals | P2R-05P, P2R-057P |
| | | | Solder terminals | P2R-05A |
| 2 poles | G2R-2-S(N)(D)(ND)(NI)(NDI) | P2RF-08-E P2RF-08 | PCB terminals | P2R-08P, P2R-087P |
| | | | Solder terminals | P2R-08A |

Note: See *Dimensions* for details on socket size.

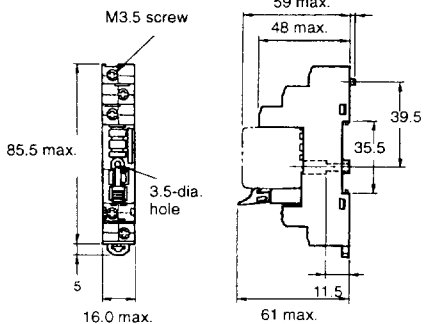
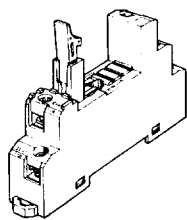
Mounting Track

| Applicable socket | Description | Model |
|-------------------------|----------------|---|
| Track connecting socket | Mounting track | 50 cm (ℓ) x 7.3 mm (t): PFP-50N 1 m (ℓ) x 7.3 mm (t): PFP-100N 1 m (ℓ) x 16 mm (t): PFP-100N2 |
| | End plate | PFP-M |
| | Spacer | PFP-S |
| Back connecting socket | Mounting plate | P2R-P* |

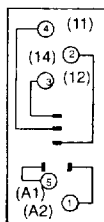
*Used to mount several P2R-05A and P2R-08A connecting sockets side by side.

Track/Surface Mounting Sockets

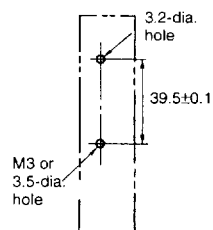
P2RF-05-E



Terminal Arrangement (Top View)

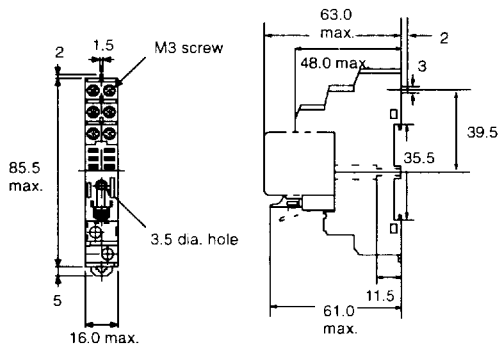
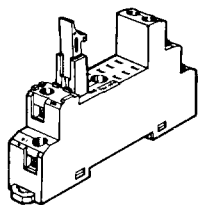


Mounting Holes (for Surface Mounting)

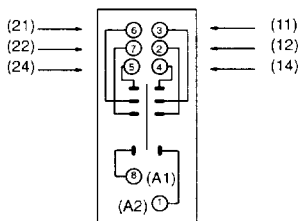


Note: Pin numbers in parentheses apply to DIN standard.

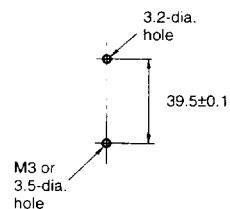
P2RF-08-E



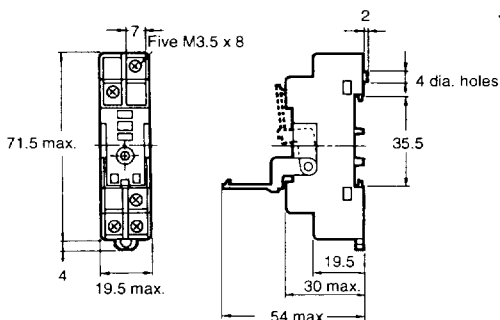
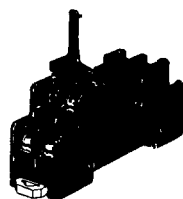
Terminal Arrangement (Top View)



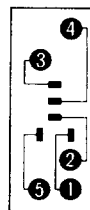
Mounting Holes (for Surface Mounting)



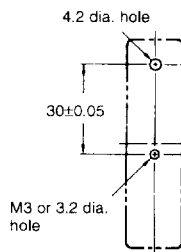
P2RF-05



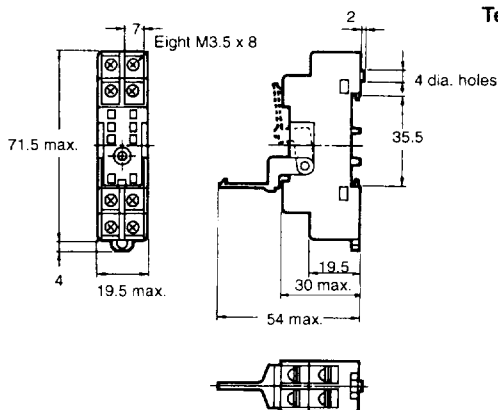
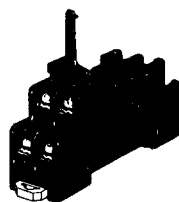
Terminal Arrangement



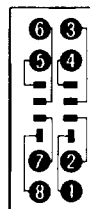
Mounting Holes (for Surface Mounting)



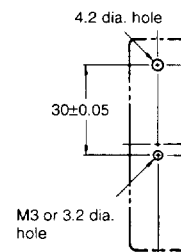
P2RF-08



Terminal Arrangement

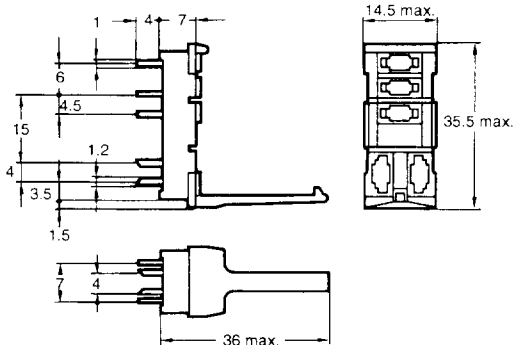
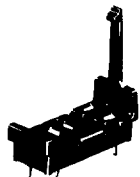


Mounting Holes (for Surface Mounting)

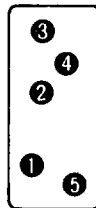


Back Connecting Sockets

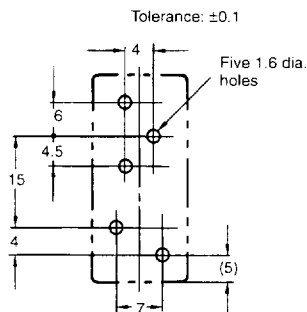
P2R-05P (1-pole)



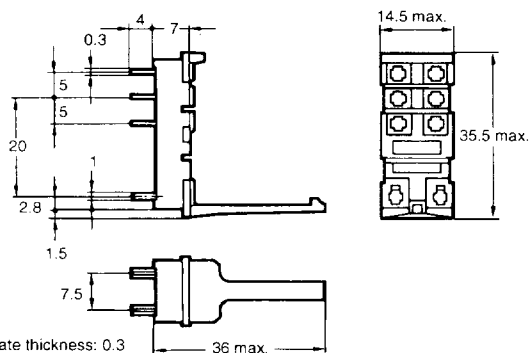
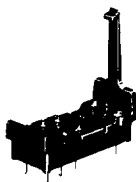
Terminal Arrangement



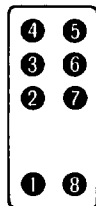
Mounting Holes



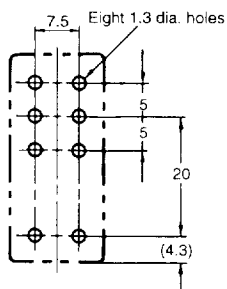
P2R-08P (2-pole)



Terminal Arrangement

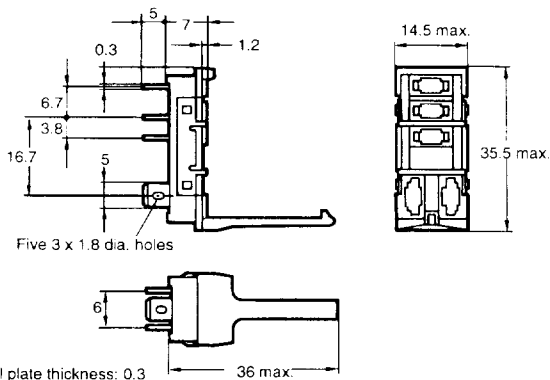
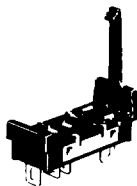


Mounting Holes

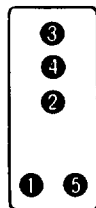


Terminal plate thickness: 0.3

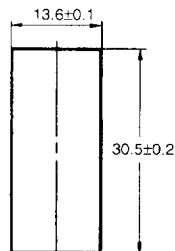
P2R-05A (1-pole)



Terminal Arrangement

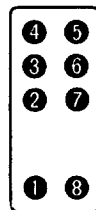
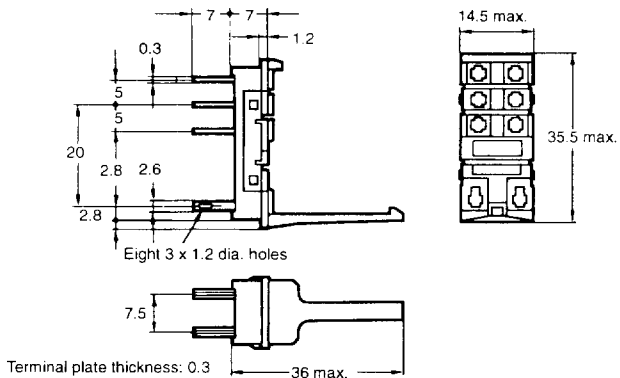
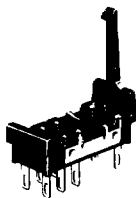


Panel Cutout



Terminal plate thickness: 0.3

P2R-08A (2-pole)



Recommended thickness of the panel is 1.6 to 2.0 mm

Terminal plate thickness: 0.3