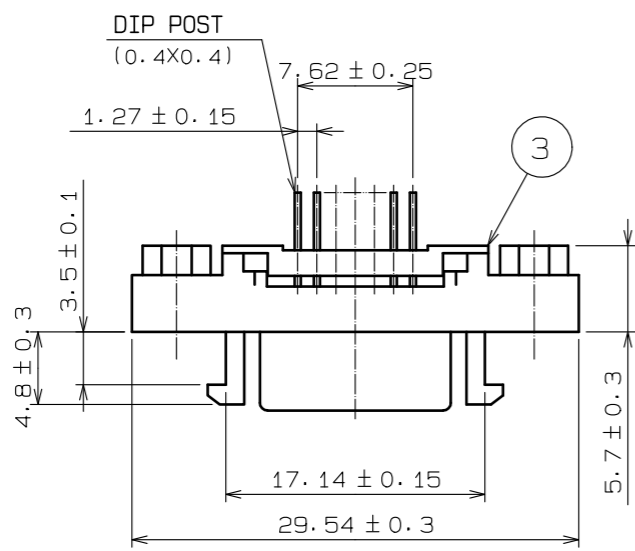
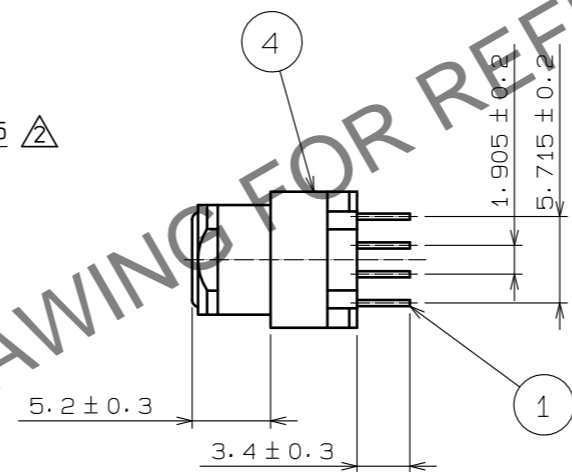
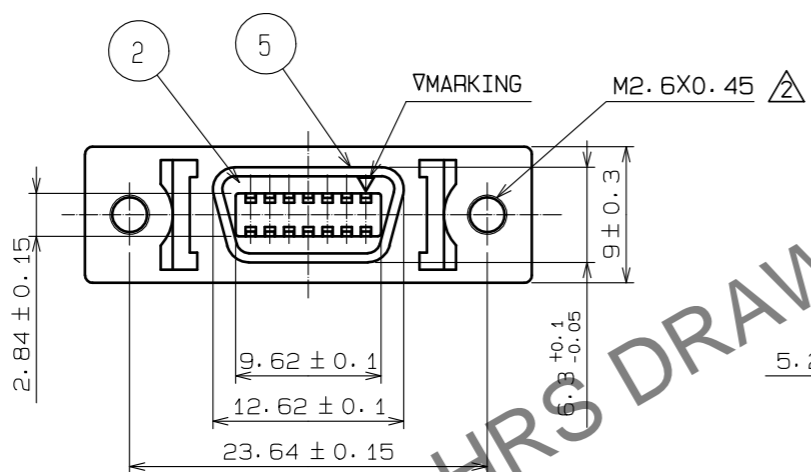
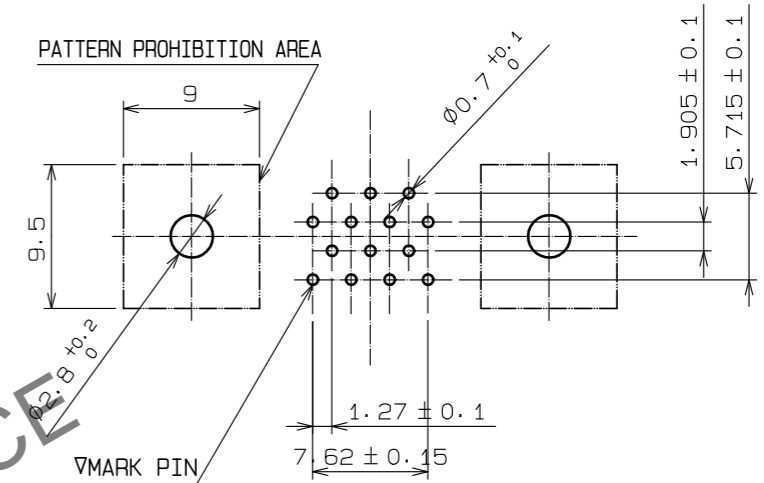


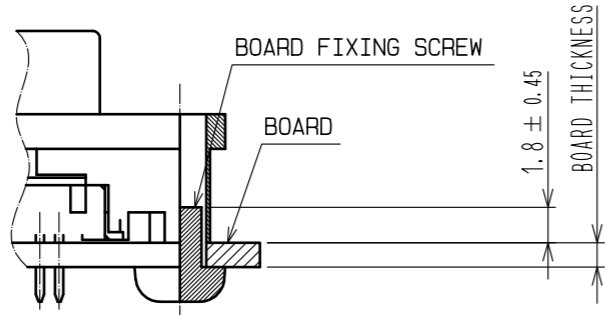
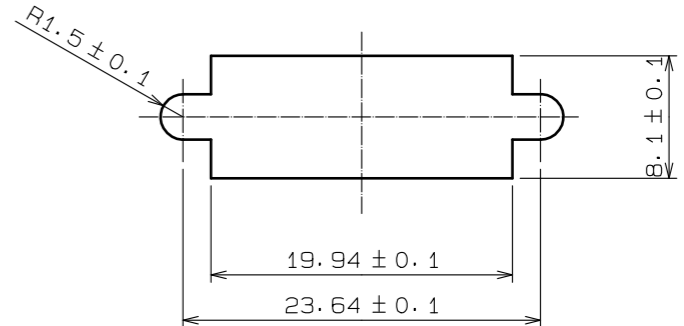
Jul.1.2024 Copyright 2024 HIROSE ELECTRIC CO., LTD. All Rights Reserved.
 In case of consideration for using Automotive equipment / device which demand high reliability, kindly contact our sales window correspondents.



RECOMMENDED PC BOARD PATTERN



PANEL CUOUT
 (PANEL THICKNESS : 1.6mm MAX)



△ PRODUCT - BOARD MOUNTED

△ NOTES ① This product must be screwed to the board.
 Please prepare the screws by the customer.
 <SCREW REQUIREMENTS>
 NOMINAL DIAMETER: M2.6 x 0.45
 SCREW LENGTH : 1.8 ± 0.45 + BOARD thickness 't'

3	PBT	UL94V-0(BLACK)										
2	PBT	UL94V-0(BLACK)	5	STEEL NICKEL PLATING								
1	PHOSPHOR BRONZE	SELECTIVE GOLD PLATING 0.3 μm	4	ZINC ALLOY DIE CASTING NICKEL PLATING								
NO.	MATERIAL	FINISH . REMARKS	NO.	MATERIAL . FINISH . REMARKS								
UNITS	mm	SCALE	2 : 1	COUNT	3	DESCRIPTION OF REVISIONS	DESIGNED	KG. OKITA	CHECKED	MN. KENJO	DATE	20220908
APPROVED : HO. MIWA		20050105	DRAWING NO.		EDC3-044249-01							
CHECKED : YH. ENAMI		20050105	PART NO.		DX20M-14S(50)							
DESIGNED : TU. TANIGUCHI		20050105	CODE NO.		CL0230-5012-5-50							
DRAWN : TU. TANIGUCHI		20050105										