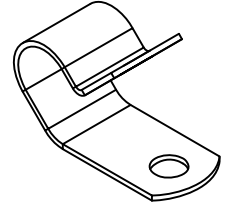
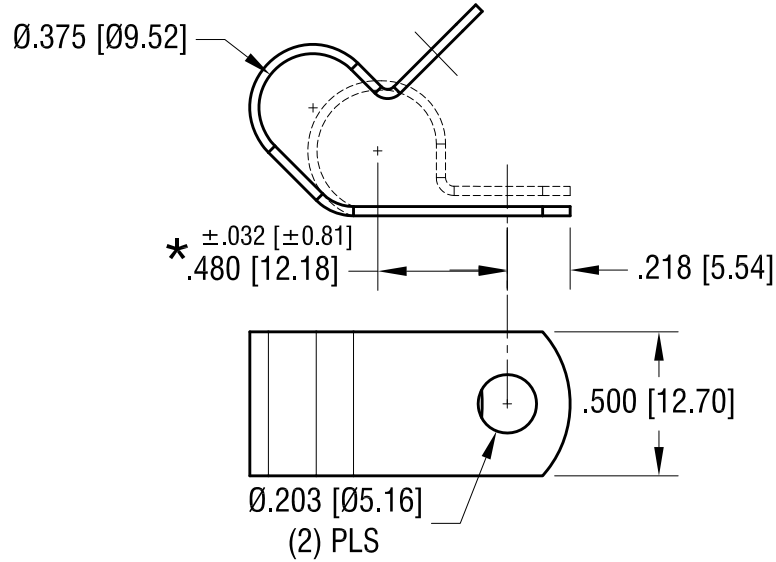


THIS DOCUMENT IS THE PROPERTY OF  
KEYSTONE ELECTRONICS CORP. AND  
SHALL NOT BE REPRODUCED, DISTRIBUTED  
OR USED AS A BASIS FOR MANUFACTURE  
WITHOUT PRIOR WRITTEN PERMISSION  
FROM KEYSTONE ELECTRONICS CORP.

ACTUAL SIZE



NOTE:

- \* DIMENSION IS MEASURED IN CLOSED POSITION

3.22.24	NEW TOOLING	B
10.18.06	CHANGE AS PER ECN 06-069	A
DATE	DESCRIPTION	REV.

<b>KEYSTONE ELECTRONICS CORP.</b>			
www.keyelco.com • NEW HYDE PARK NY 11040 • Tel (516)328-7500			
PART NAME		STEEL CABLE CLAMP	
MATERIAL		.032 [0.81] TH'K STEEL	
FINISH		DRN BY	DATE
ZINC PLATE CLEAR CHROMATE		BOONE	1.8.99
		APP'D	SCALE
TOLERANCES INCH [MM] DECIMAL ±.010 [±0.25 ] ANGULAR ± 1° UNLESS OTHERWISE SPECIFIED		CODE	DWG NO.
		C	8103