

PLC-V8/FLK14/IN - System connection



2296553

<https://www.phoenixcontact.com/us/products/2296553>

Please be informed that the data shown in this PDF document is generated from our online catalog. Please find the complete data in the user documentation. Our general terms of use for downloads are valid.



V8 adapter for 8 x PLC-INTERFACE (6.2 mm), controller: PLC system cabling of input cards, connection 1: IDC/FLK pin strip 1x 14-position, connection 2: Plug-in connection (Can be snapped onto 8x PLC-INTERFACE terminals), connection 3: Screw connection 1x 2-position, number of channels: 8, control logic: positive switching

Commercial data

Item number	2296553
Packing unit	1 pc
Minimum order quantity	1 pc
Sales key	C421
Product key	CK21D1
Catalog page	Page 427 (C-5-2019)
GTIN	4017918189150
Weight per piece (including packing)	107.5 g
Weight per piece (excluding packing)	100 g
Customs tariff number	85366990
Country of origin	DE

Technical data

Product properties

Product type	Interface module
Product family	PLC-INTERFACE
Number of positions	14
No. of channels	8

Data management status

Article revision	13
------------------	----

Insulation characteristics: Air clearances and creepage distances

Insulation	Functional insulation
Overvoltage category	II
Pollution degree	2

Electrical properties

Operating voltage range	18 V DC ... 33.6 V DC
Current (per branch)	≤ 1 A
Current (Power supply)	≤ 3 A

Air clearances and creepage distances

Rated insulation voltage	50 V
Rated surge voltage	0.5 kV (1.2/50 μs)

Supported controller SIEMENS S7-1500

Suitable I/O card	6ES7521-1BH00-0AB0
	6ES7521-1BL00-0AB0
	6ES7521-1BP00-0AA0 (Sinking mode)
	6ES7523-1BP50-0AA0 (DI32 (Sinking mode))

Supported controller ABB S800 I/O

Suitable I/O card	DI810
	DI818
	DI830
	DI840

Supported controller ALLEN-BRADLEY ControlLogix

Suitable I/O card	1756-IB32
	1756-IB16

Supported controller SIEMENS S7-400

Suitable I/O card	6ES7421-1BL01-0AA0
-------------------	--------------------

Supported controller HONEYWELL Experion PKS C200

Suitable I/O card	TC-IDD 321
-------------------	------------

PLC-V8/FLK14/IN - System connection



2296553

<https://www.phoenixcontact.com/us/products/2296553>

Supported controller MITSUBISHI MELSEC Q

Suitable I/O card	QX81
	QX82
	QX82-S1

Supported controller MITSUBISHI MELSEC L

Suitable I/O card	LX41C4
	LX42C4

Supported controller SIEMENS S7-300 / ET 200 M

Suitable I/O card	CPU 313C-2DP
	CPU 314C-2DP
	CPU 314C-2PtP
	6ES7321-1BH02-0AA0
	6ES7321-1BL00-0AA0
	6ES7323-1BH01-0AA0
	6ES7323-1BL00-0AA0
	6ES7321-1BH10-0AA0
	CPU 313C
	CPU 313C-2PtP

Supported controller SCHNEIDER ELECTRIC Modicon TSX QUANTUM

Suitable I/O card	DDI 353
	DDI 853

Supported controller EMERSON DeltaV

Suitable I/O card	VE4001S2T2B3
-------------------	--------------

Supported controller GE-FANUC RX3i

Suitable I/O card	IC694MDL660
-------------------	-------------

Supported controller YOKOGAWA CS3000 CentumVP

Suitable I/O card	ADV151
	ADV161

Supported controller YOKOGAWA STARDOM

Suitable I/O card	NFDV151
	NFDV161

Connection data

Connection 1 (control level)

Connection in acc. with standard	IEC 60603-13
Connection method	IDC/FLK pin strip
Number of connections	1
Number of positions	14
Insertion/withdrawal cycles	> 50

PLC-V8/FLK14/IN - System connection



2296553

<https://www.phoenixcontact.com/us/products/2296553>

Pitch	2.54 mm
-------	---------

Connection 2 (field level)

Connection method	Plug-in connection
Note	Can be snapped onto 8x PLC-INTERFACE terminals

Connection 3 (supply)

Connection method	Screw connection
Stripping length	8 mm
Screw thread	M3
Number of connections	1
Number of positions	2
Conductor cross section rigid	0.2 mm ² ... 4 mm ²
Conductor cross-section rigid (2 conductors with same cross section)	0.2 mm ² ... 1.5 mm ²
Conductor cross section flexible	0.2 mm ² ... 2.5 mm ²
	0.25 mm ² ... 2.5 mm ² (Ferrule without plastic sleeve)
	0.25 mm ² ... 2.5 mm ² (Ferrule with plastic sleeve)
Conductor cross section flexible (2 conductors with same cross section)	0.2 mm ² ... 1.5 mm ²
	0.25 mm ² ... 0.75 mm ² (Ferrule without plastic sleeve)
	0.5 mm ² ... 1.5 mm ² (TWIN ferrule with plastic sleeve)
Conductor cross section AWG	24 ... 12
Tightening torque	0.5 Nm ... 0.6 Nm
Pitch	5 mm

Signaling

Status display present	Yes
Operating voltage display	Green LED

Dimensions

Item dimensions

Width	49.93 mm
Height	41 mm
Depth	55.8 mm

Material specifications

Color	gray (RAL 7042)
Flammability rating according to UL 94	V0
Housing insulation material	Polyamide 6.6 green

Environmental and real-life conditions

Ambient conditions

Degree of protection (Module)	IP20
Degree of protection (Installation location)	≥ IP54
Ambient temperature (operation)	-40 °C ... 70 °C

PLC-V8/FLK14/IN - System connection



2296553

<https://www.phoenixcontact.com/us/products/2296553>

Ambient temperature (storage/transport)	-40 °C ... 70 °C
Altitude	≤ 2000 m

Approvals

CE

Certificate	CE-compliant
-------------	--------------

UKCA

Certificate	UKCA-compliant
-------------	----------------

UL, USA/Canada

Identification	Class I, Div. 2, Groups A, B, C, D T4
----------------	---------------------------------------

UL, Canada

Identification	Class I, Zone 2, Ex ec IIC Gc T4 X
----------------	------------------------------------

UL, USA

Identification	Class I, Zone 2, AEx ec IIC T4
----------------	--------------------------------

Shipbuilding approval

Certificate	TAE0000196
-------------	------------

DNV GL data

Temperature	D
Humidity	A
Vibration	C
EMC	B
Enclosure	Required protection according to the Rules shall be provided upon installation on board

EMC data

Electromagnetic compatibility	Conformance with EMC directive
Low Voltage Directive	Conformance with Low Voltage Directive

Standards and regulations

Air clearances and creepage distances

Standards/regulations	EN IEC 60664-1
-----------------------	----------------

Mounting

Mounting type	Plug-on assembly
Assembly note	in rows with zero spacing
Mounting position	any

Notes

Notes on operation	For proper use, the specifications of the installation directive (see Downloads) must be observed. For applications or use with third-party products, the specifications, and the safety and warning instructions of the respective third-party manufacturer must also
--------------------	--

PLC-V8/FLK14/IN - System connection



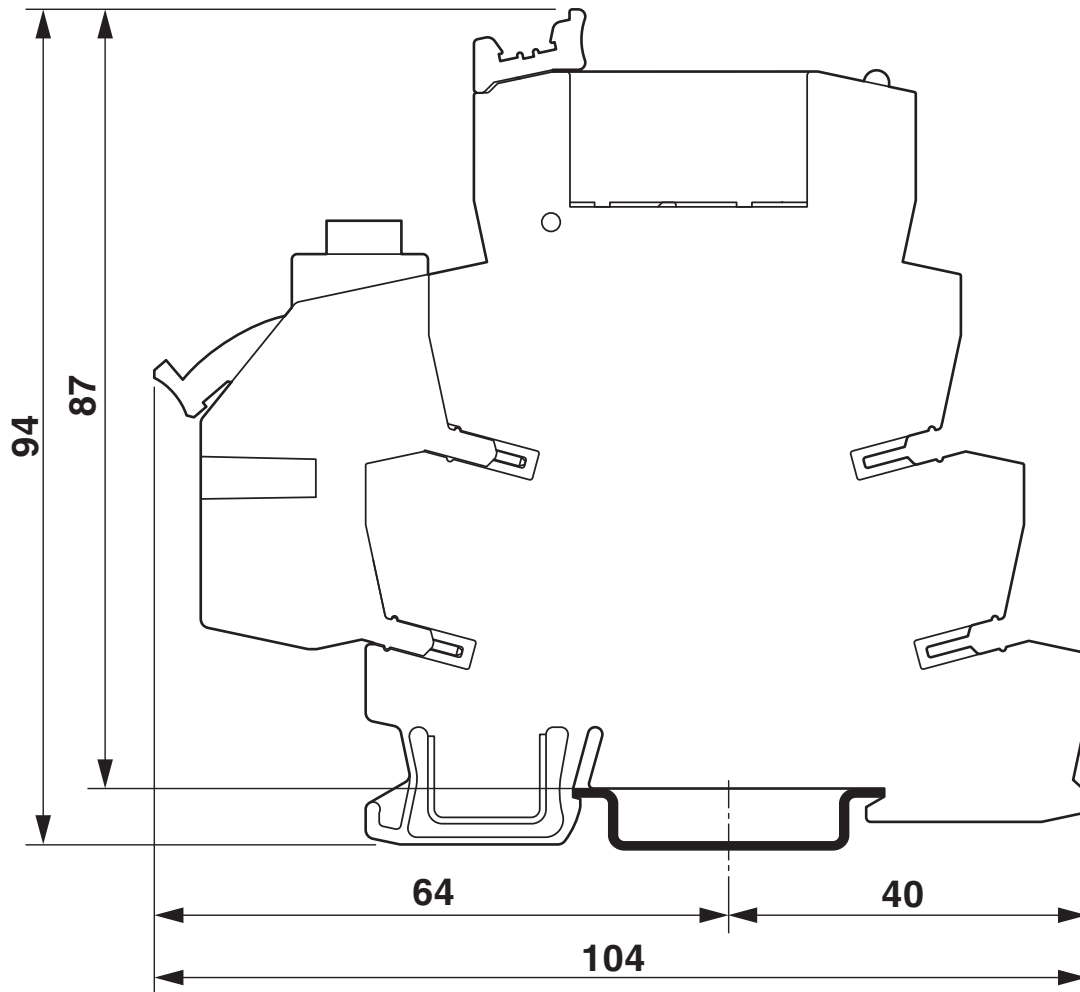
2296553

<https://www.phoenixcontact.com/us/products/2296553>

be met.

Drawings

Dimensional drawing

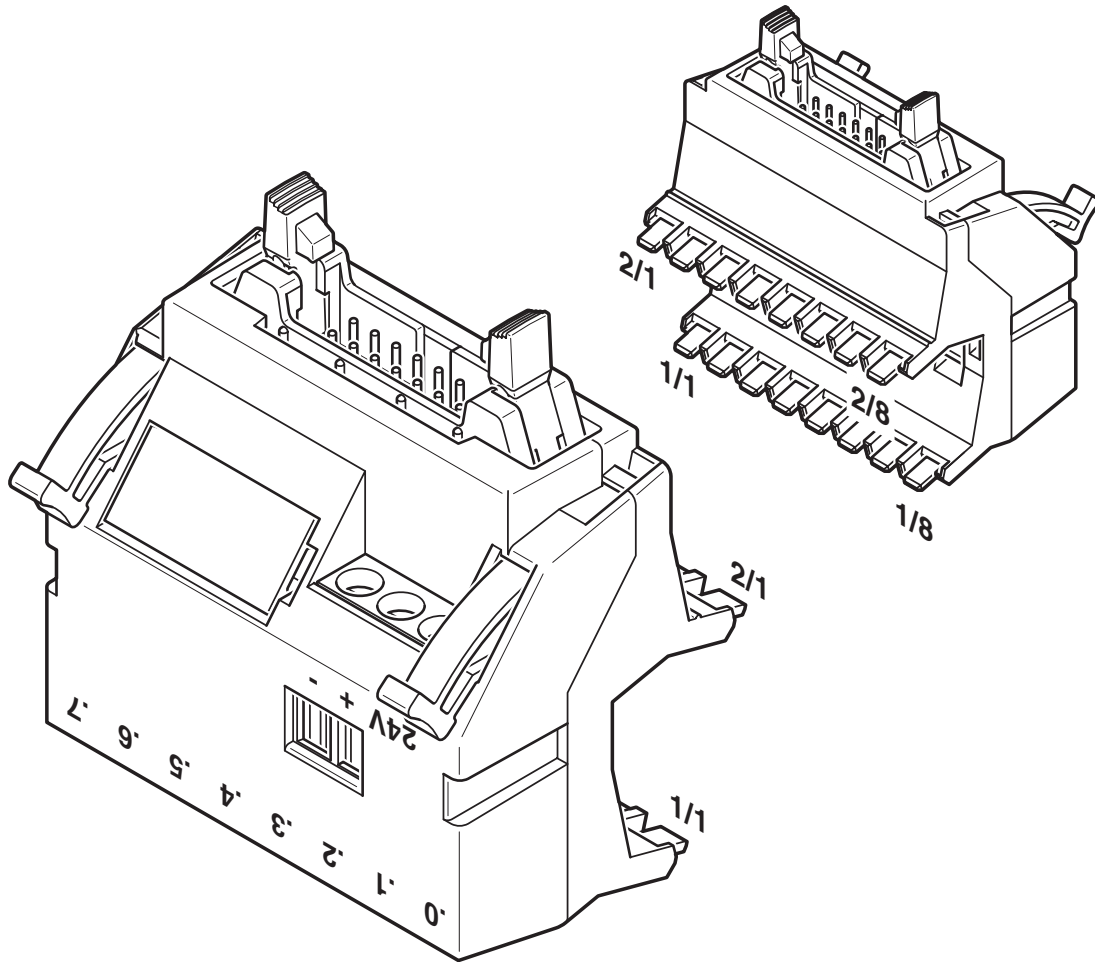


PLC-V8/FLK14/IN - System connection

2296553

<https://www.phoenixcontact.com/us/products/2296553>

Schematic diagram



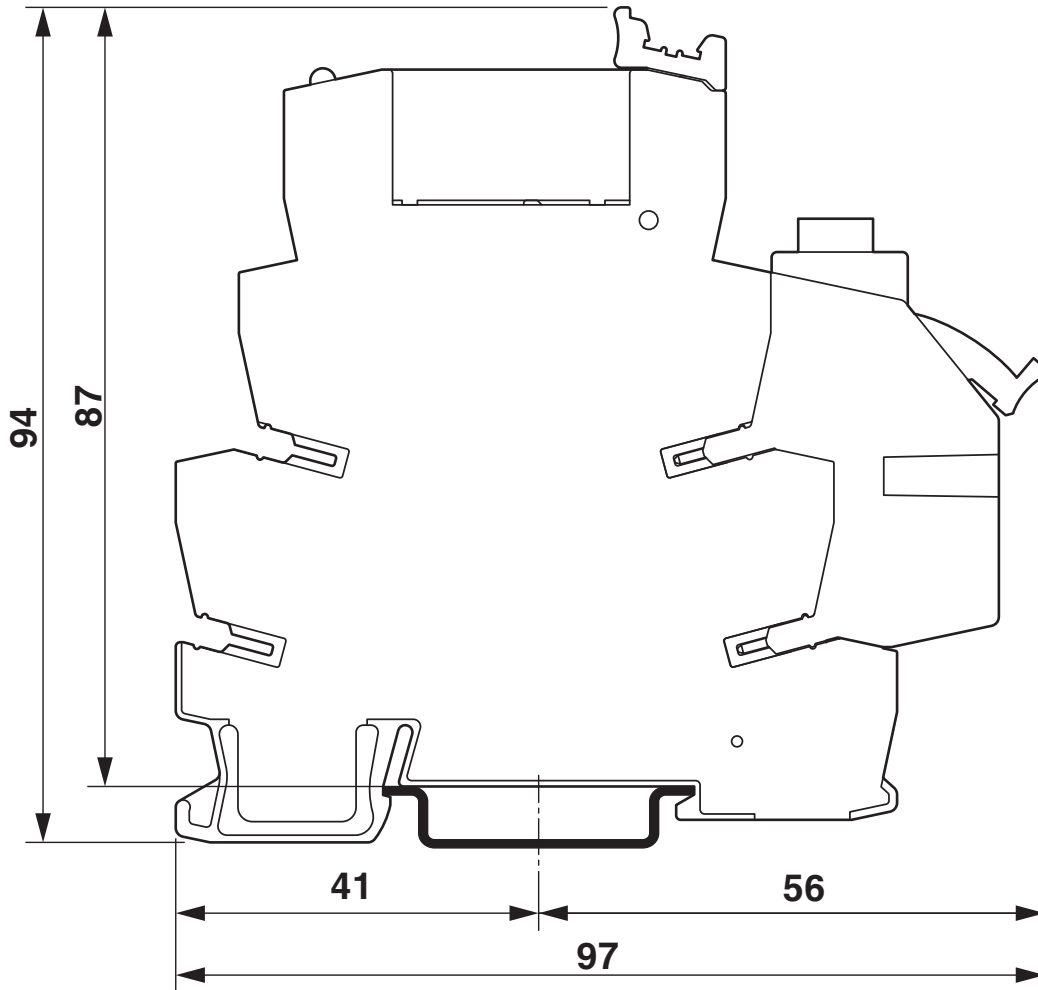
PLC-V8/FLK14/IN - System connection



2296553

<https://www.phoenixcontact.com/us/products/2296553>

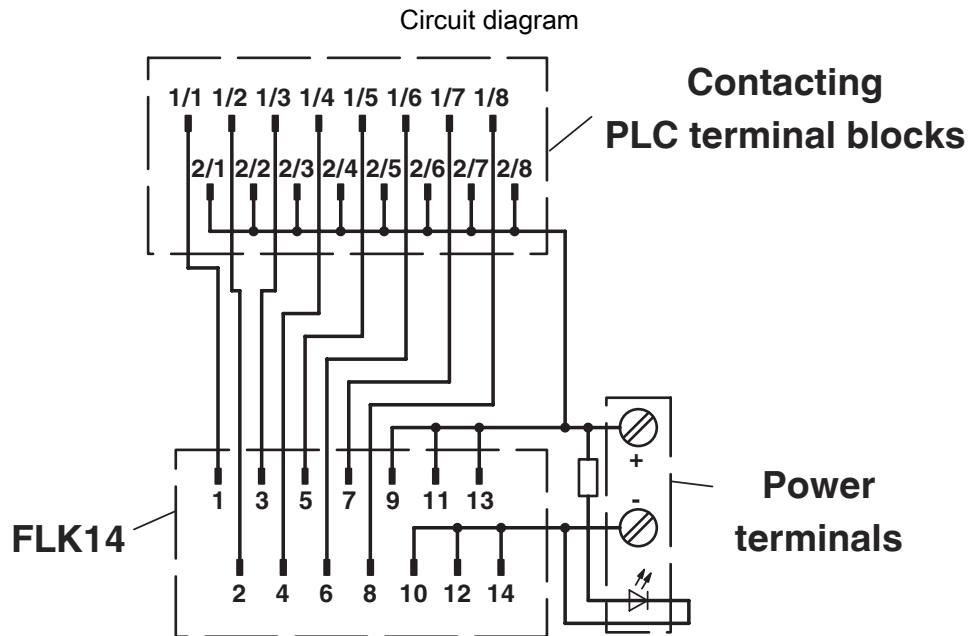
Dimensional drawing



PLC-V8/FLK14/IN - System connection

2296553

<https://www.phoenixcontact.com/us/products/2296553>



PLC-V8/FLK14/IN - System connection





2296553

<https://www.phoenixcontact.com/us/products/2296553>


Approvals


To download certificates, visit the product detail page: <https://www.phoenixcontact.com/us/products/2296553>


 cUL Recognized Approval ID: E238705	Nominal voltage U_N	Nominal current I_N	Cross section AWG	Cross section mm^2
	24 V	1 A	-	-


 UL Recognized Approval ID: E238705	Nominal voltage U_N	Nominal current I_N	Cross section AWG	Cross section mm^2
	24 V	1 A	-	-

 DNV GL Approval ID: TAE0000196

 UL Listed Approval ID: FILE E 172140
--

 cUL Listed Approval ID: FILE E 172140

 cUL Listed Approval ID: E199827

 UL Listed Approval ID: E199827
--

cULus Recognized

cULus Listed

cULus Listed

PLC-V8/FLK14/IN - System connection



2296553

<https://www.phoenixcontact.com/us/products/2296553>

Classifications

ECLASS

ECLASS-11.0	27141152
ECLASS-13.0	27141152
ECLASS-12.0	27141152

ETIM

ETIM 9.0	EC002780
----------	----------

UNSPSC

UNSPSC 21.0	39121400
-------------	----------

PLC-V8/FLK14/IN - System connection



2296553

<https://www.phoenixcontact.com/us/products/2296553>

Environmental product compliance

EU RoHS

Fulfills EU RoHS substance requirements	Yes
Exemption	6(c)

China RoHS

Environment friendly use period (EFUP)	EFUP-50
	An article-related China RoHS declaration table can be found in the download area for the respective article under "Manufacturer declaration". For all articles with EFUP-E, no China RoHS declaration table issued and required.

EU REACH SVHC

REACH candidate substance (CAS No.)	Hexahydromethylphthalic anhydride(CAS: n/a)
	Lead(CAS: 7439-92-1)
SCIP	549f71ec-7757-4ec2-b26b-19af5b5c91c4

Phoenix Contact 2024 © - all rights reserved
<https://www.phoenixcontact.com>

Phoenix Contact USA
586 Fulling Mill Road
Middletown, PA 17057, United States
(+717) 944-1300
info@phoenixcon.com