



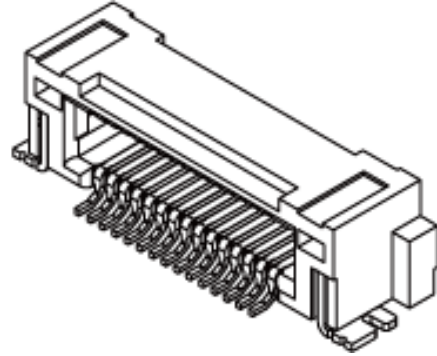
Part Number : [5033764010](#)

Product Description : SlimStack Board-to-Board Plug, 0.40mm Pitch, Surface Mount, Dual Row, Right-Angle, with Solder Tabs and Plastic Pegs, 40 Circuits

Series Number : 503376

Status : Active

Product Category : Board-to-Board Connectors



Documents & Resources

Drawings

[Drawing 5033764010_sd.pdf](#)

3D Models and Design Files

[3D Model 5033764010_stp.zip](#)

Specifications

[Packaging Specification SPK-503376-001-001.pdf](#)

[Product Specification PS-54552-023-001.pdf](#)

Product Environment Compliance

Compliance

GADSL/IMDS	Not Relevant
China RoHS	
EU ELV	Not Relevant
Low-Halogen Status	Low-Halogen per IEC 61249-2-21
REACH SVHC	Not Contained per D(2024)4144-DC (27 June 2024)
EU RoHS	Compliant per EU 2015/863

[Multiple Part Product Compliance Statements](#)

- Eu RoHS
- REACH SVHC
- Low-Halogen

[Multiple Part Industry Compliance Documents](#)

- IPC 1752A Class C

- IPC 1752A Class D
- Molex Product Compliance Declaration
- IEC-62474
- chemSHERPA (xml)

EU RoHS Certificate of Compliance

Part Details

General

Status	Active
Category	Board-to-Board Connectors
Series	503376
Description	SlimStack Board-to-Board Plug, 0.40mm Pitch, Surface Mount, Dual Row, Right-Angle, with Solder Tabs and Plastic Pegs, 40 Circuits
Series Name	0.4, RA
Application	Board-to-Board, Signal
Component Type	PCB Header
Product Family	SlimStack Board-to-Board/Board-to-FPC Connectors
Product Name	SlimStack
UPC	884982061262

Electrical

Current - Maximum per Contact	0.3A
Voltage - Maximum	30V AC (RMS)/DC

Physical

Breakaway	No
Circuits (Loaded)	40
Circuits (maximum)	40
Color - Resin	Black
Durability (mating cycles max)	30
Glow-Wire Capable	No
Material - Metal	Phosphor Bronze
Material - Plating Mating	Gold
Material - Plating Termination	Gold

Net Weight	149.440/mg
Number of Rows	2
Orientation	Right Angle
Packaging Type	Embossed Tape on Reel
PCB Locator	Yes
PCB Retention	Yes
Pitch - Mating Interface	0.40mm
Pitch - Termination Interface	0.40mm
Temperature Range - Operating	-40° to +105°C
Termination Interface Style	Surface Mount

Mates With / Use With

Mates with Part(s)

Description	Part Number
0.40mm Pitch Vertical SlimStack Receptacles	<u>54552</u>