

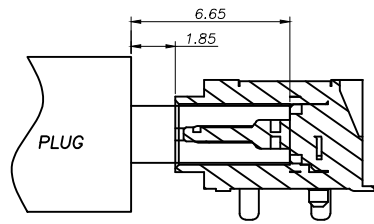
SECTION:A-A

NOTE:

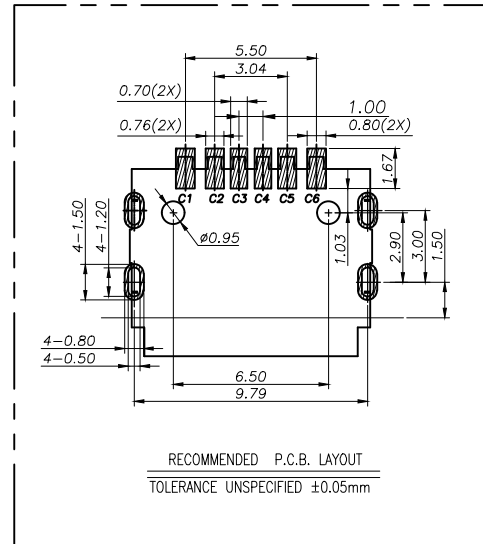
- 1.MATERIAL SPECIFICATION:
 - 1.HOUSING: HIGH TEMPERATURE RESISTANT PLASTIC,UL94 V-0.
 - 2.CONTACTS: COPPER ALLOY
 - 3.MID PLATE: STAINLESS STEEL
 - 4.SHELL: STAINLESS STEEL
 - 5.COVER: STAINLESS STEEL
 - 6.O-RING: SILICONE RUBBER,BLACK
- 2.PLATING SPECIFICATION:
 - 2-1.CONTACTS:
 - Ni 50u" MIN. UNDER PLATED OVER ALL.
 - Au 1u* ON THE FUNCTIONAL AREA OF CONTACT.
 - MATTE Sn ON THE SOLDER AREA OF CONTACT.
 - 2-2.SHELL:
 - Ni 30u" MIN. UNDER PLATED OVER ALL.
 - 2-3.COVER:
 - Ni 30u" MIN. UNDER PLATED OVER ALL.
 - 2-4.MID PLATE:
 - CLEAR ONLY.
- 3.MECHANICAL PERFORMANCE,
 - 3-1.INSERTION FORCE: 5~20N.
 - 3-2.REMOVAL FORCE: 8~20N.
 - 3-3.DURABILITY: 10000 CYCLES.
- 4.ELECTRICAL PERFORMANCE,
 - 4-1. CURRENT RATING:3.0A
VOLTAGE RATING:5.0V
 - 4-2. LLCR:
 - VBUS & GND PINS AND OTHER PINS: 40mΩ/PIN MAX.
 - SHIELD: 50mΩ/MAX.
 - LLCR MAX. CHANGE OF ALL PINS: 10mΩ.
 - 4-3.INSULATION RESISTANCE: 100MΩ MIN
 - 4-4.DIELECTRIC WITHSTAND VOLTAGE,AC 100V FOR 1 MINUTE.
- 5.ENVIRONMENTAL PERFORMANCE:
 - OPERATING TEMPERATURE: -30℃~+85℃.
- 6.IR REFLOW:
 - THE PEAK TEMPERATURE ON THE BOARD SHALL BE MAINTAINED FOR 10 SECONDS AT 260℃.
7. WATER PROOFNESS:THISPRODUCTIS BASED ON IP67.

PIN	SIGNAL NAME	PIN	SIGNAL NAME
A5	CC1	B12	GND
A9	VBUS	B9	VBUS
A12	GND	B5	CC2

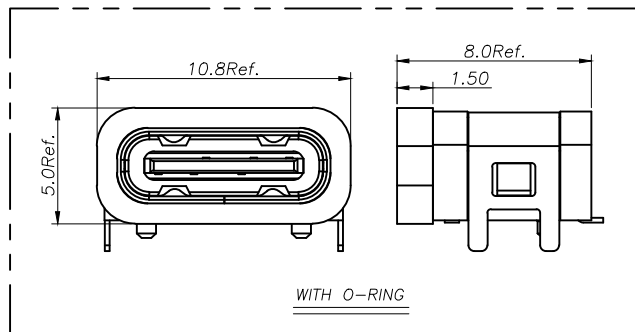
			GENREL TOLERANCE		制图 DRAWING		深圳市华灿天禄电子有限公司 ShenzhenhuaciantianluELECTRONICS CO.,LTD			
			DIM	TOL	审核 CHECK					
			X.X	±0.30	批准 APPROVAL		产品名称 TITLE	TYPE C F 6P 单排 L7.85mm 板上 防水型(点胶)	版本 REV.	A
1			初版发行		比例 SCALE		产品料号 PART NO.	HC-AA0B010-087A	单位 UNITS	mm
序号 No.	变更内容 MODIFY CONTENT	日期 MODIFY DATE		Angle	±3.0°	投影 Projection		材料 MATERIAL	页次 SHEET	1/3



AFTER MATING



RECOMMENDED P.C.B. LAYOUT
TOLERANCE UNSPECIFIED $\pm 0.05\text{mm}$

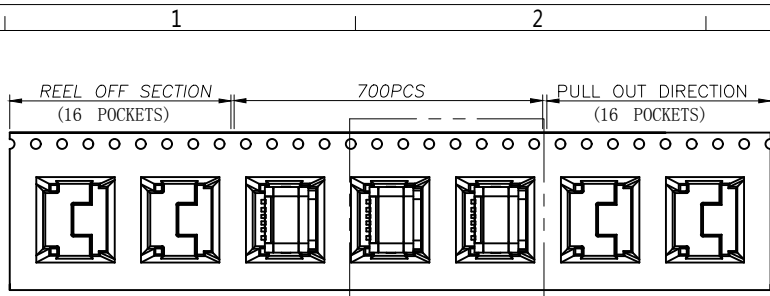


WITH O-RING

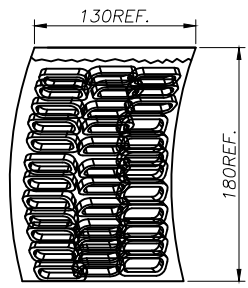
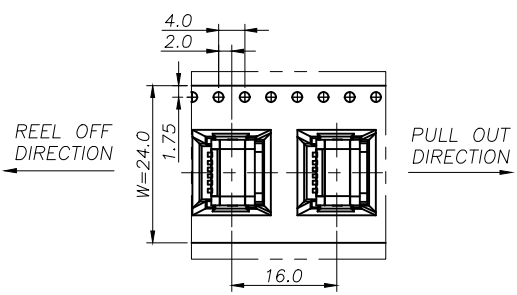
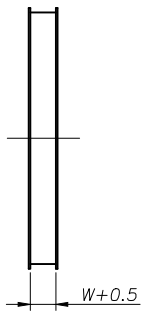
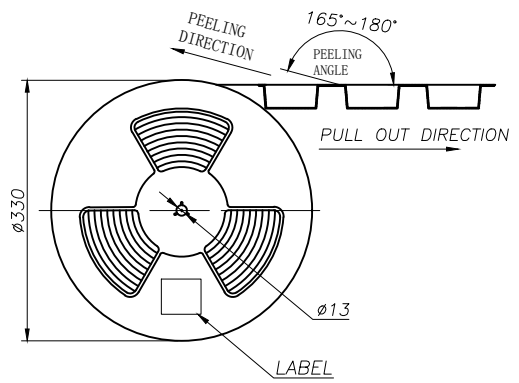
PIN ASSIGNMENT:

PIN NO.	A1&B12	A4&B9	A5	A5	A9&B4	A12&B1
SIGNAL NAME	GND	VBUS	CC1	CC2	VBUS	GND
PCB PAD NO.	C1	C2	C3	C4	C5	C6

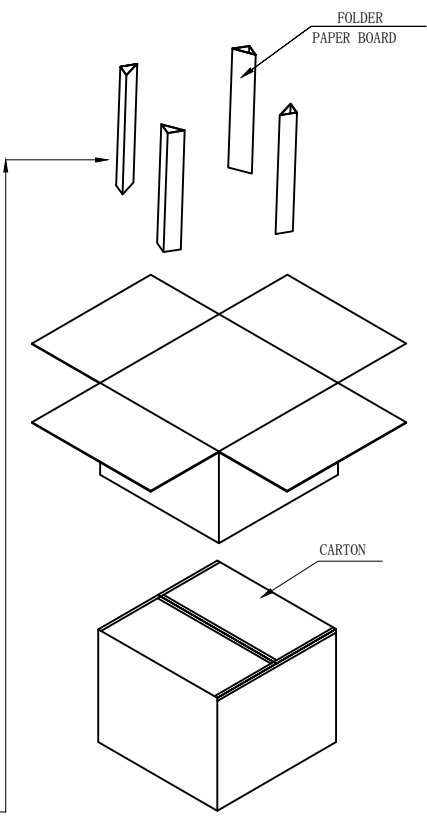
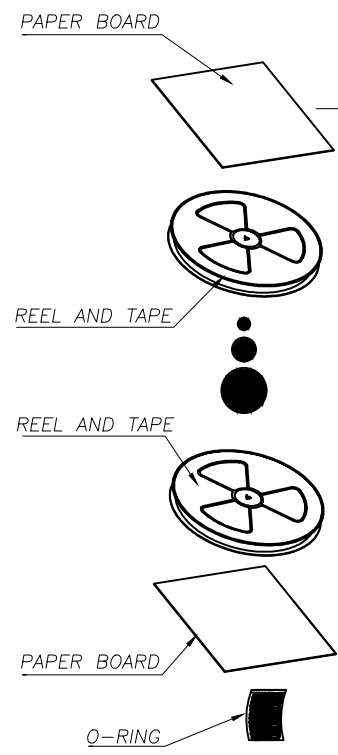
			GENERAL TOLERANCE	制图 DRAWING	深圳市华灿天禄电子有限公司 ShenzhenhuaciantianluELECTRONICS CO.,LTD			
			DIM TOL	审核 CHECK	产品名称 TITLE	TYPE C F 6P 单排 L7.85mm 板上 防水型 (点胶)	版本 REV.	A
1	初版发行		X.X ± 0.30	批准 APPROVAL	产品料号 PART NO.	HC-AA0B010-087A	单位 UNITS	mm
序号 No.	变更内容 MODIFY CONTENT	日期 MODIFY DATE	X.XXX ± 0.10	比例 SCALE	材料 MATERIAL		页次 SHEET	2/3
			Angle $\pm 3.0^\circ$	投影 Projection				



SEE DETAIL X



1000PCS/BAG
O-RING



	REEL	CARTON
CONNECTOR (PCS)	700	7000

			GENERAL TOLERANCE	制图 DRAWING	深圳市华灿天禄电子有限公司 ShenzhenhuaciantianluELECTRONICS CO.,LTD			
			DIM TOL	审核 CHECK				
			X.X ±0.30	批准 APPROVAL	产品名称 TITLE	TYPE C F 6P 单排 L7.85mm 板上 防水型 (点胶)	版本 REV.	A
1	初版发行		X.XX ±0.20		产品料号 PART NO.	HC-AA0B010-087A	单位 UNITS	mm
序号 No.	变更内容 MODIFY CONTENT	日期 MODIFY DATE	X.XXX ±0.10	投影 Projection	材料 MATERIAL		页次 SHEET	3/3
			Angle ±3.0°					