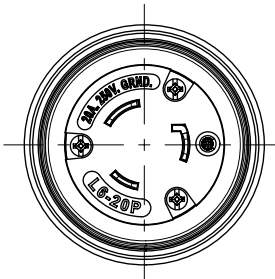
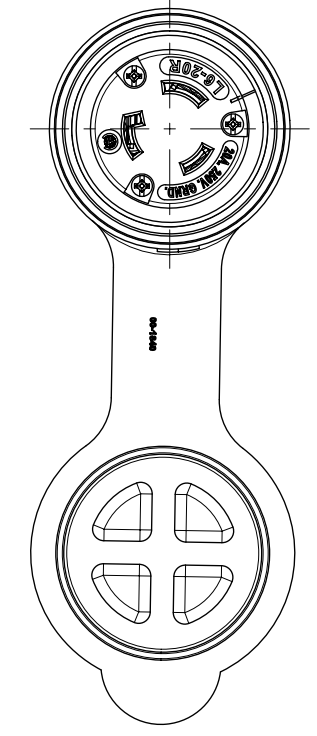


WATERTITE CONNECTOR
NEMA L6-20P (26W48)

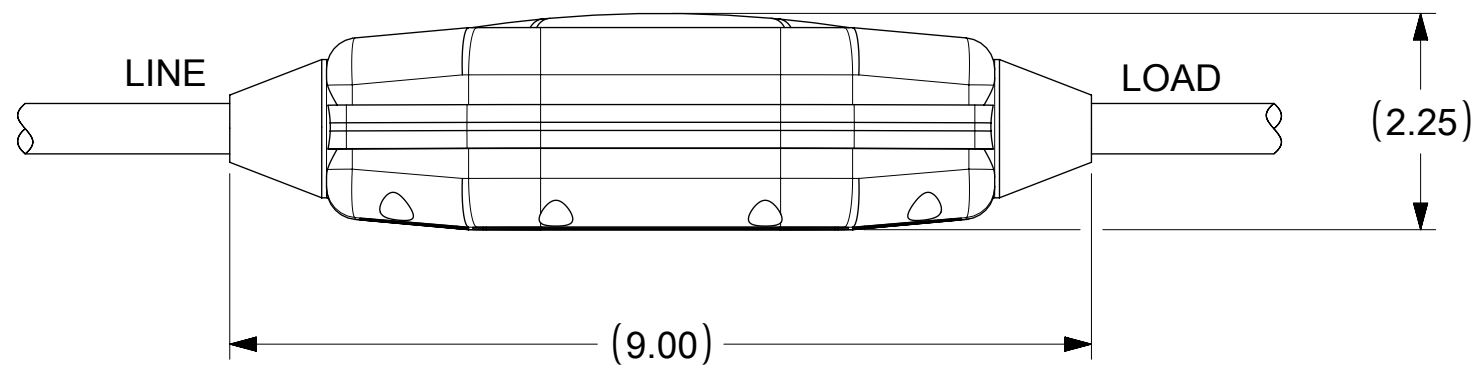


WATERTITE CONNECTOR
NEMA L6-20R (27W48)



AWG: #12-3 YELLOW
TYPE: SJEOOW, 300V

AGENCY APPROVAL: UL & CSA CERTIFIED OR cUL
(BOTH SIDE - PRIMARY & SECONDARY)



TECHNICAL

AGENCY APPROVAL:	SEE TABLE
RATED SUPPLY VOLTAGE:	240VAC
RATED CURRENT:	UP TO 20 AMPS
RESET TYPE:	MANUAL
OPERATING FREQUENCY:	60 Hz
TYPE:	CLASS A
GROUND TRIP CURRENT:	5mA +/- 1mA
OVERLOAD CURRENT:	120 AMPS, 50% INDUCTIVE
INSULATION VOLTAGE:	1,500 VRMS - 1 MINUTE
ENDURANCE OPERATIONS:	3000 OPERATIONS
ENCLOSURE:	TYPE 4X, IP69, IP69K

MATERIAL NO.	ENGINEERING NO.	LENGTH "L"	LENGTH "A"	POWER-UP	LINE PLUG	LINE CONNECTOR	CABLE COLOR	AGENCY APPROVAL
1301530153	24052-0A	2 FT	1 FT	AUTO	NONE	NONE	YELLOW	cURus
1301530155	24052-1A	3 FT	1 FT	AUTO	26W48	27W48	YELLOW	cULus
1301530159	24052-25A	27 FT	25 FT	AUTO	26W48	27W48	YELLOW	cULus
1301530154	24052-0M	2 FT	1 FT	MANUAL	NONE	NONE	YELLOW	cURus
1301530277	24052-0MBLK	2 FT	1 FT	MANUAL	NONE	NONE	BLACK	cURus
1301530156	24052-1M	3 FT	1 FT	MANUAL	26W48	27W48	YELLOW	cULus

FUNCTIONAL SYMBOLS: $\nabla/A = 0$, $\nabla/E = 0$, $\nabla/P = 0$

DIVISIONAL SYMBOLS: 4 PLACES ±, 3 PLACES ±, 2 PLACES ±, 1 PLACE ±, 0 PLACES ±

THIS DRAWING CONTAINS INFORMATION THAT IS PROPRIETARY TO MOLEX ELECTRONIC TECHNOLOGIES, LLC AND SHOULD NOT BE USED WITHOUT WRITTEN PERMISSION.

DIMENSION UNITS: INCH, SCALE: NTS

GENERAL TOLERANCES (UNLESS SPECIFIED): ANGULAR TOL ± 0.5°

DRAFT WHERE APPLICABLE MUST REMAIN WITHIN DIMENSIONS

THIRD ANGLE PROJECTION

DRAWING: C-SIZE, SERIES: 130153

CURRENT REV DESC: SALES DRAWING RELEASED.

EC NO: 723814
DRWN: VBASUTHKARP 2022/08/09
CHK'D: DNGUYEN62 2022/12/06
APPR: WLEUNG 2022/12/13

INITIAL REVISION:
DRWN:
APPR:

molex

INLINE GFCI 20A, 240V
W/ 26W48 & 27W48 WATERTITE NEMA L6-20

PRODUCT CUSTOMER DRAWING

DOCUMENT NUMBER: 1301530155, DOC TYPE: PSD, DOC PART: 000, REVISION: A

MATERIAL NUMBER: SEE TABLE, CUSTOMER: GENERAL MARKET, SHEET NUMBER: 1 OF 1