

Amphenol  
FCi

© 2016 AFci

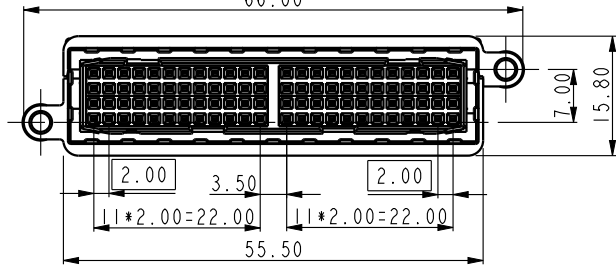
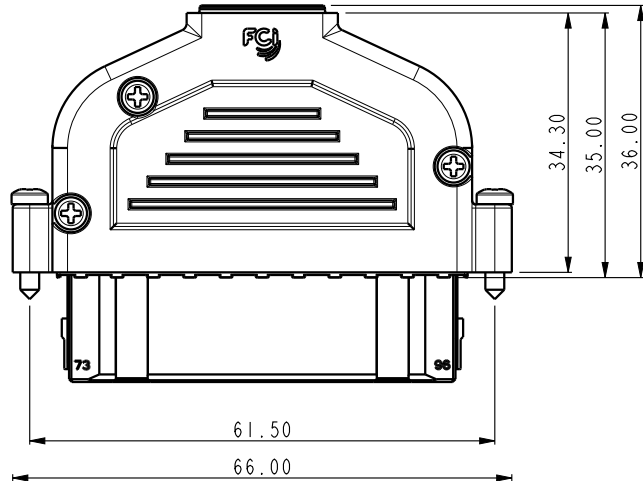
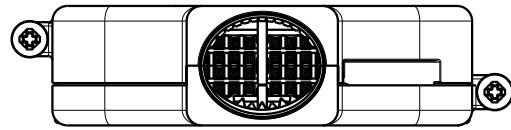
A

B

C

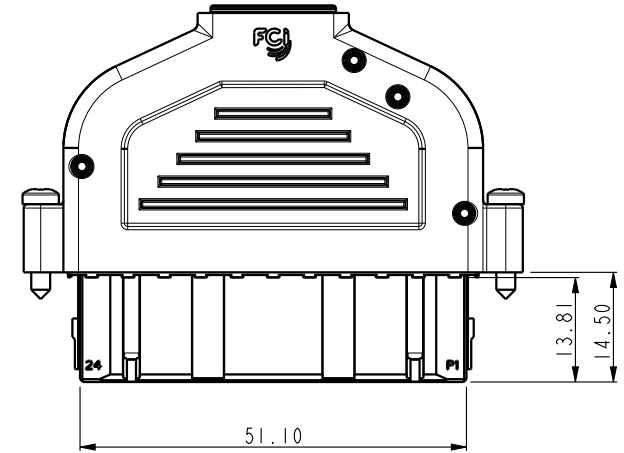
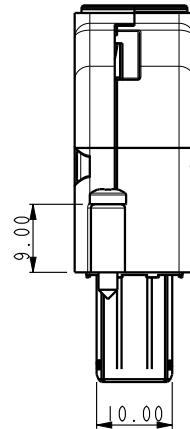
D

Cable KITS P/N	10113575-101LF	10113575-102LF
AWG Size	26	28 & 30



Notes:

1. This product meets europe union directives and other country regulations as described in GS-47-0004.
2. The product is not intended to be exposed to a manufacturing solder process.
3. Material:  
Die casting cover: Zn alloy with Cu; Nickel & pure tin plating  
Shroud housing: Black PBT 30% GF.  
Terminal block housing: Black PBT 30% GF.  
Terminal: Copper alloy  
ESD spring: Steel stainless.  
Screw: Steel stainless
4. Applicable individual wire insulation  $\varnothing 0.90$  MM max.
5. For plating performance level refer drawing #10159408.
6. The cable must be flexible to be bent under the line as below draft shown after cable assembled.
7. Product specification GS-12-562  
Application specification: GS-20-114  
Packaging specification: GS-14-1292

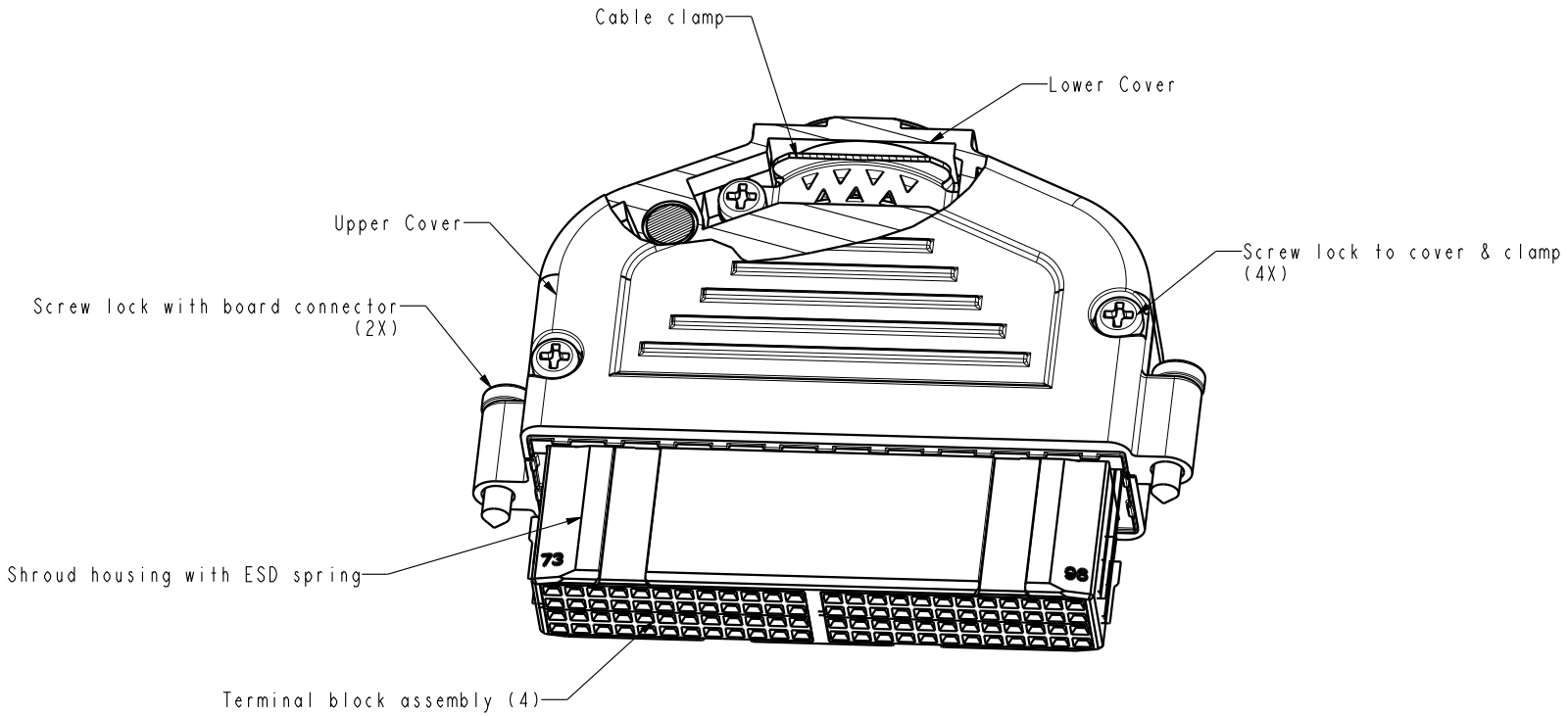


spec ref	*	dr	Junon Huang	2010/03/06	projection	MM	size	A4	scale	1.000										
tolerance std	TOLERANCES UNLESS OTHERWISE SPECIFIED	eng	Narayanan, Aru	2020/10/31			ecn no				ELX-I-38804-1									
ISO 406		chr	-	-			rel level				Released									
ISO 1101		appr	Kuriakose, San	2020/11/02	product family		-													
surface	linear	Amphenol FCi			title		96pos cable connector		vertical type		dwg no		10113575		rev		C			
	0.X																		±0.3	
	0.XX																		±0.15	
	0.XXX	±0.050		cat. no.		-		Product - Customer Drw				sheet 1 of 2								
ISO 1302	angular	0°	±2°																	

Creo File - REV E - 2016-02-12

BOM OF CABLE KITS

CONNECTOR PART NUMBER	COMPONENT PART DETAILS & (QTY)						
	UPPER COVER(1)	LOWER COVER(1)	SHROUD HOUSING WITH ESD SPRING (1)	TERMINAL BLOCK ASSEMBLY (4)	CABLE CLAMP (1)	SCREW LOCK WITH BOARD CONNECTOR (2)	SCREW TO COVER & CLAMP (4)
10113575-101LF	10113576-001LF	10113577-001LF	10087046-001LF	10087045-001LF	10087042-001LF	10087047-001LF	10089066-001LF
10113575-102LF	10113576-001LF	10113577-001LF	10087046-001LF	10087045-002LF	10087042-001LF	10087047-001LF	10089066-001LF



spec ref	*	dr	Junon Huang	2010/03/06	projection	MM	size	A4	scale	1.000			
tolerance std	TOLERANCES UNLESS OTHERWISE SPECIFIED	eng	Narayanan, Aru	2020/10/31		←→	ecn no	ELX-I-38804-1					
ISO 406		chr	-	-			rel level	Released					
ISO 1101		appr	Kuriakose, San	2020/11/02	product family	-							
surface	linear	0.X	±0.3	<b>Amphenol FCi</b>	title	96pos cable connector	dwg no	10113575	rev	C			
ISO 1302	0.XX	±0.15	cat. no.								-	Product - Customer Drw	sheet 2 of 2
	angular	0°											