

# Series 77 Straight Shrink Boot Heat Shrink Molded Part

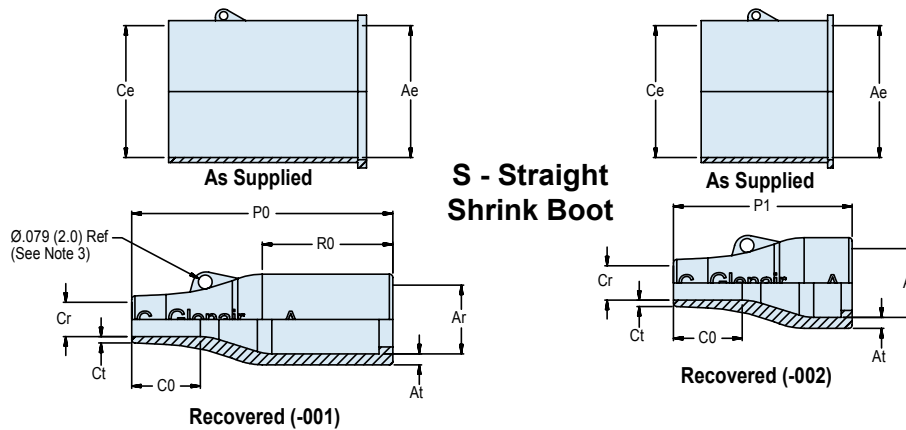
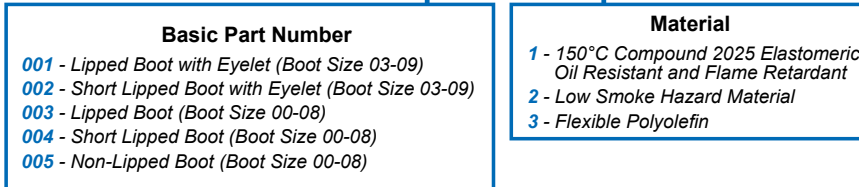
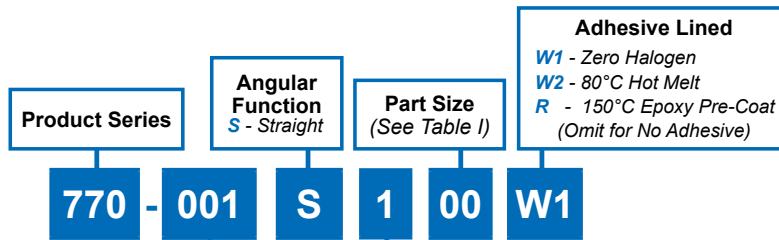


TABLE I: STRAIGHT BOOT DIMENSIONS, BOOT AND SHELL SIZE

Boot Size	Shell Size	Ae Dia Min	Ce Dia Min	Ar Dia Max	at ±30%	Cr Dia Max	ct ±20%	C0 Ref	P0 ±10%	P1 ±10%	R0 Ref
00	5	.354 (9.0)	.354 (9.0)	.217 (5.5)	.039 (1.0)	.079 (2.0)	.028 (0.7)	.295 (7.5)	.984 (25.0)	N/A	.551 (14.0)
01	5, 6	.472 (12.0)	.472 (12.0)	.276 (7.0)	.043 (1.1)	.118 (3.0)	.028 (0.7)	.295 (7.5)	.984 (25.0)	N/A	.551 (14.0)
02	6, 7	.669 (17.0)	.669 (17.0)	.276 (7.0)	.051 (1.3)	.138 (3.5)	.028 (0.7)	.395 (10.0)	1.181 (30.0)	N/A	.728 (18.5)
03	8, 10	.945 (24.0)	.945 (24.0)	.413 (10.5)	.063 (1.6)	.197 (5.5)	.035 (0.9)	.395 (10.0)	1.496 (38.0)	1.024 (26.0)	.748 (19.0)
04	11-16	1.181 (30.0)	1.181 (30.0)	.551 (14.0)	.071 (1.8)	.236 (6.0)	.039 (1.0)	.630 (16.0)	2.165 (55.0)	1.693 (43.0)	1.181 (30.0)
05	16-17	1.260 (32.0)	1.260 (32.0)	.709 (18.0)	.071 (1.8)	.276 (7.0)	.047 (1.2)	.748 (19.0)	2.638 (67.0)	1.850 (47.0)	1.299 (33.0)
06	17-21	1.417 (36.0)	1.417 (36.0)	.886 (22.0)	.079 (2.0)	.335 (8.5)	.047 (1.2)	.787 (20.0)	3.150 (80.0)	2.362 (60.0)	1.575 (40.0)
07	21-23	1.693 (43.0)	1.693 (43.0)	1.102 (28.0)	.087 (2.2)	.394 (10.0)	.051 (1.3)	1.142 (29.0)	3.898 (99.0)	3.150 (80.0)	2.165 (55.0)
08	25	2.362 (60.0)	2.362 (60.0)	1.378 (35.0)	.130 (3.3)	.591 (15.0)	.063 (1.6)	1.575 (40.0)	5.118 (130.0)	4.331 (110.0)	1.969 (50.0)

## APPLICATION NOTES

1. Material: Fluid resistant elastomer - Glenair Material Type 1.
2. When the minimum number of conductors are used, wire bundle/cable may require build-up to B<sup>2</sup> max.
3. Sizes 00 to 02 do not contain eyelet.



# Series 77 90° Shrink Boot Heat Shrink Molded Part

<b>Product Series</b>	<b>Angular Function</b> A - 90°	<b>Part Size</b> (See Table I)	<b>Adhesive Lined</b> W1 - Zero Halogen W2 - 80°C Hot Melt R - 150°C Epoxy Pre-Coat (Omit for No Adhesive)		
<b>770</b>	<b>001</b>	<b>A</b>	<b>1</b>	<b>00</b>	<b>W1</b>
<b>Basic Part Number</b>			<b>Material</b>		
001 - Lipped Boot with Eyelet (Boot Size 03-08) 003 - Lipped Boot (Boot Size 00-08) 005 - Non-Lipped Boot (Boot Size 00-08)			1 - 150°C Compound 2025 Elastomer Oil Resistant and Flame Retardant 2 - Low Smoke Hazard Material 3 - Flexible Polyolefin		

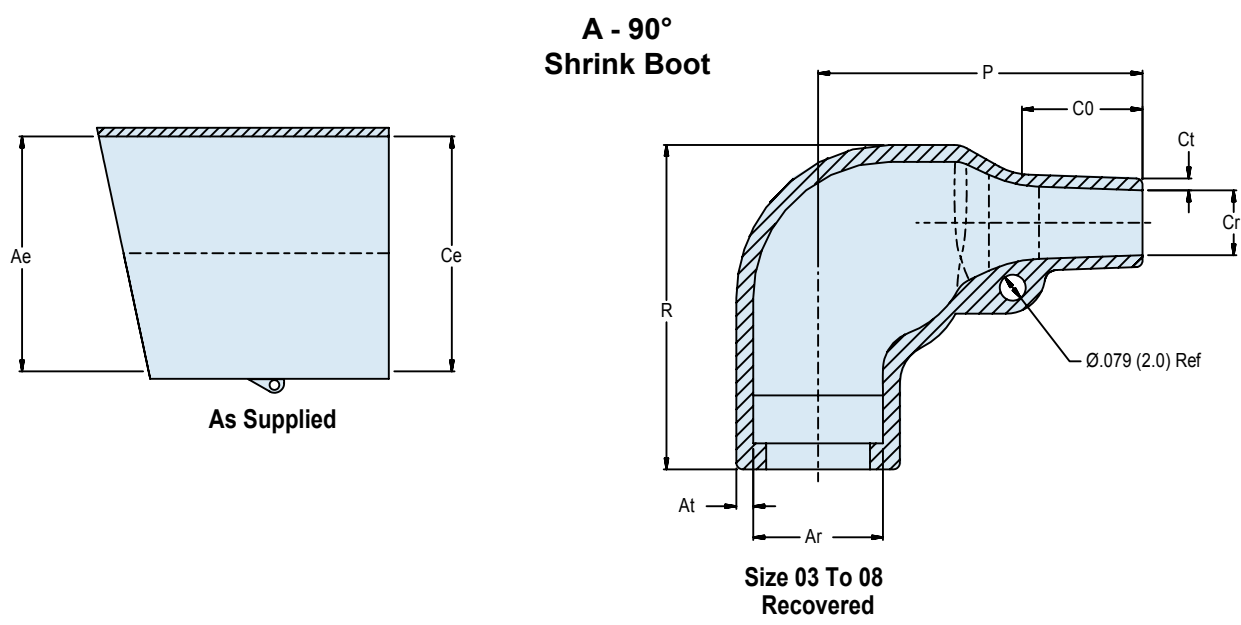
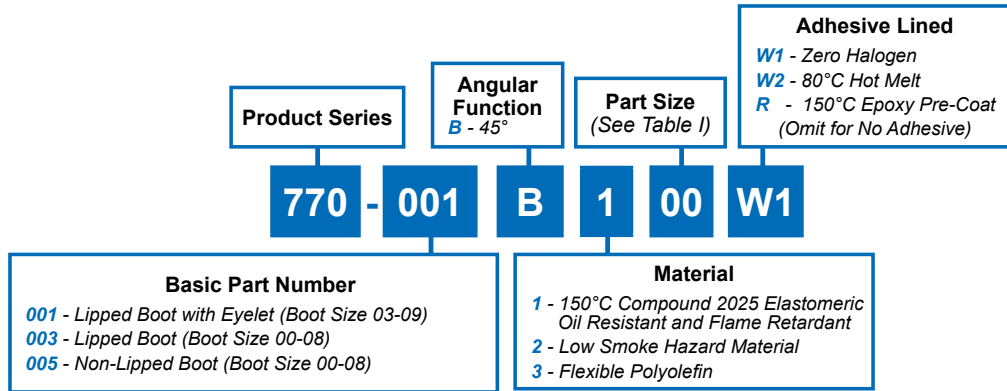


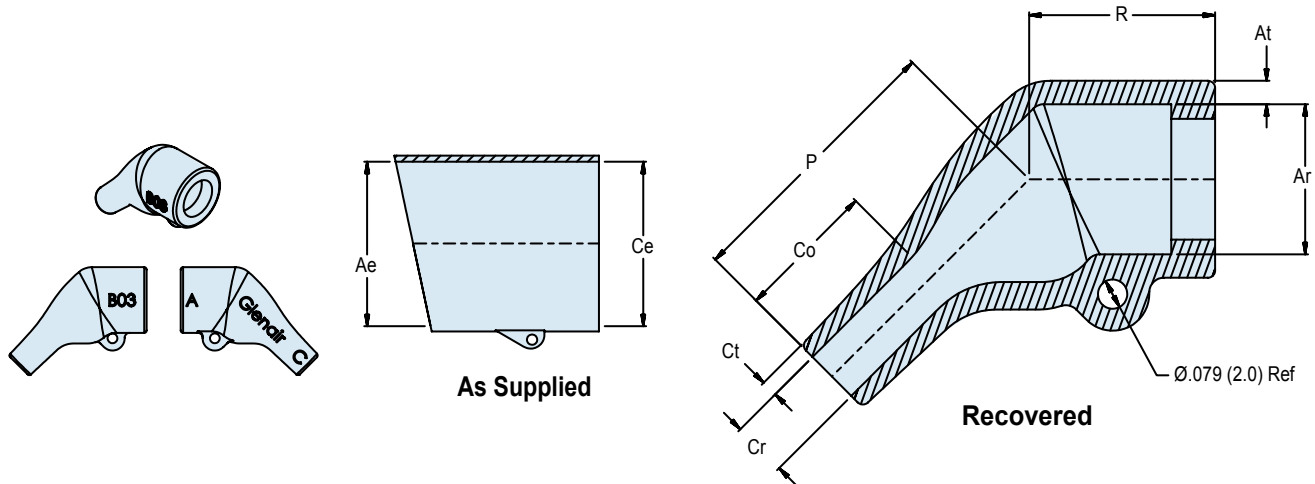
TABLE I: 90° BOOT DIMENSIONS, BOOT AND SHELL SIZE										
Boot Size	Shell Size	Ae Dia Min	Ce Dia Min	Ar Dia Max	at ±30%	Cr Dia Max	ct ±20%	C0 Ref	P ±20%	R Ref
03	9	.945 (24.0)	.945 (24.0)	.394 (10.0)	.063 (1.6)	.197 (5.0)	.035 (0.9)	.394 (10.0)	.984 (25.0)	.984 (25.0)
04	11-15	1.181 (30.0)	1.181 (30.0)	.532 (13.5)	.071 (1.8)	.217 (5.5)	.039 (1.0)	.472 (12.0)	1.260 (32.0)	1.063 (27.0)
05	13-17	1.260 (32.0)	1.260 (32.0)	.709 (18.0)	.071 (1.8)	.276 (7.0)	.047 (1.2)	.591 (15.0)	1.535 (39.0)	1.260 (32.0)
06	17-21	1.417 (36.0)	1.417 (36.0)	.886 (22.0)	.079 (2.0)	.335 (8.5)	.047 (1.2)	.630 (16.0)	1.929 (49.0)	1.496 (38.0)
07	21-23	1.693 (43.0)	1.693 (43.0)	1.102 (28.0)	.087 (2.2)	.394 (10.0)	.059 (1.5)	.709 (18.0)	2.165 (55.0)	1.850 (47.0)
08	23-25	2.165 (55.0)	2.165 (55.0)	1.378 (35.0)	.130 (3.3)	.591 (15.0)	.079 (2.0)	1.260 (32.0)	3.150 (80.0)	2.165 (55.0)



**Series 77**  
**45° Shrink Boot**  
**Heat Shrink Molded Part**



**B - 45°**  
**Shrink Boot**



**TABLE I: 45° BOOT DIMENSIONS, BOOT AND SHELL SIZE**

Boot Size	Shell Size	Ae Dia Min	Ce Dia Min	Ar Dia Max	at ±30%	Cr Dia Max	ct ±20%	C0 Ref	P ±10%	R Ref
03	9	.945 (24.0)	.945 (24.0)	.413 (10.50)	.063 (1.6)	.157 (4.0)	.035 (0.9)	.315 (8.0)	.748 (195.0)	.500 (12.7)
04	11-15	1.181 (30.0)	1.181 (30.0)	.551 (14.0)	.071 (1.8)	.236 (6.0)	.039 (1.0)	.354 (9.0)	1.180 (30.0)	.748 (19.0)
05	13-17	1.260 (32.0)	1.260 (32.0)	.709 (18.0)	.079 (2.0)	.276 (7.0)	.071 (1.8)	.591 (15.0)	1.378 (35.0)	.984 (25.0)
06	17-21	1.417 (36.0)	1.417 (36.0)	.886 (22.0)	.079 (2.0)	.335 (8.5)	.071 (1.8)	.709 (18.0)	1.575 (40.0)	1.260 (32.0)
07	21-23	1.693 (43.0)	1.693 (43.0)	1.102 (28.0)	.087 (2.2)	.394 (10.0)	.079 (2.0)	.709 (18.0)	1.772 (45.0)	1.496 (38.0)



# Mouser Electronics

Authorized Distributor

Click to View Pricing, Inventory, Delivery & Lifecycle Information:

## Glenair:

[770-005S302](#) [770-005S303](#) [770-005S303W1](#) [770-005S304](#) [770-005S305](#) [770-005S307](#) [770-005S107R](#) [770-005A106R](#) [770-005A307](#) [770-005A107](#) [770-005A107R](#) [770-005A108](#) [770-005A108R](#) [770-005A302](#) [770-005A303](#) [770-005A304](#) [770-005S108R](#) [770-005A306](#) [770-005S108](#) [770-005A308](#) [770-005S104](#) [770-005S105](#) [770-005S105R](#) [770-005S106](#) [770-005S106R](#) [770-005S107](#) [770-005A305](#) [770-005S306](#) [770-002S104R](#) [770-001S303](#) [770-001S305](#) [770-001S305W2](#) [770-001S306](#) [770-003A107](#) [770-001S308](#) [770-003A103](#) [770-003A103R](#) [770-003A104](#) [770-003A104R](#) [770-003A105](#) [770-003A106](#) [770-003A106R](#) [770-001S307](#) [770-005S308](#) [770-001A103](#) [770-001A103R](#) [770-001A104](#) [770-001A104R](#) [770-001A105R](#) [770-001A106](#) [770-001A107](#) [770-001A303](#) [770-001A305](#) [770-005A106](#) [770-001A308](#) [770-001A108](#) [770-005A102R](#) [770-005A103](#) [770-005A103R](#) [770-005A104](#) [770-005A104R](#) [770-005A105](#) [770-003A107R](#) [770-001A304](#) [770-003A108](#) [770-005A102](#) [770-003A202W1](#) [770-003A306](#) [770-003A307](#) [770-003A308](#) [770-003A108R](#) [770-001S206W2](#) [770-001S204W2](#) [770-001A106W1](#) [770-001A107W1](#) [770-001A108W1](#) [770-001A207](#) [770-001A306W1](#) [770-001B103W1](#) [770-001B106](#) [770-001B204W1](#) [770-001B305W2](#) [770-001S206W1](#) [770-001S307W1](#) [770-001S308W2](#) [770-002S103W1](#) [770-002S104W1](#) [770-003A105W2](#) [770-003A106W1](#) [770-003A204W1](#) [770-003A303](#) [770-003A305W2](#) [770-003A306W2](#) [770-003S200W1](#) [770-003S203W1](#) [770-004S103W1](#) [770-004S103W2](#) [770-004S104W1](#) [770-004S105](#) [770-004S203W2](#)