

507-011 EMI/RFI Banding Backshell for MIL-DTL-81659 Connectors

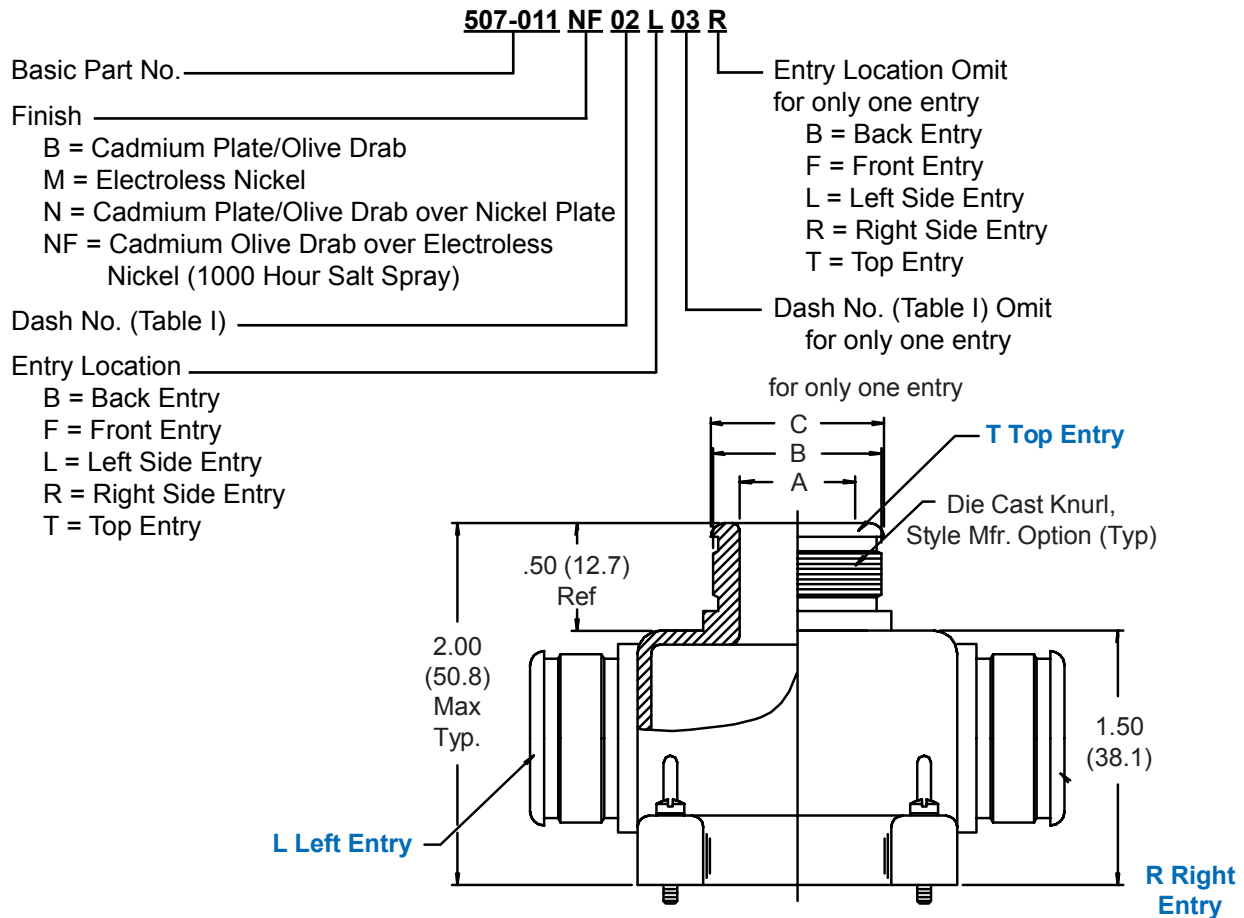
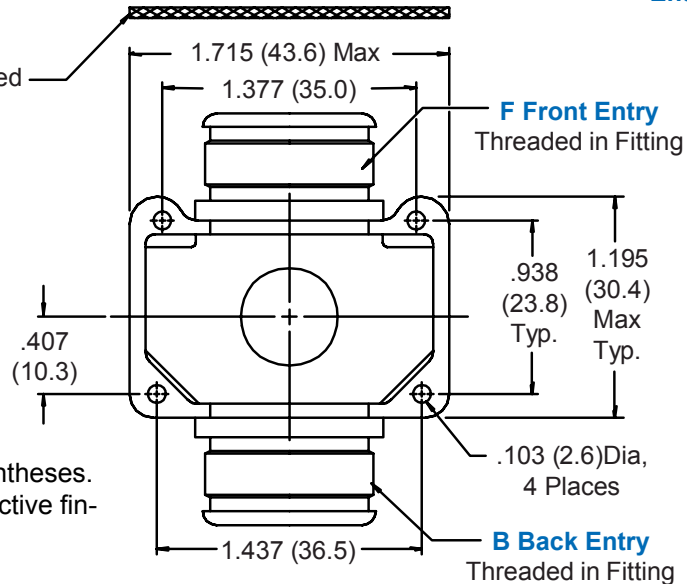


TABLE I: CABLE ENTRY

Dash No.	A Dia Min	B Dia	C Dia Max
01	.250 (6.4)	.375 (9.5)	.425 (10.8)
02	.375 (9.5)	.500 (12.7)	.550 (14.0)
03	.500 (12.7)	.625 (15.9)	.675 (17.1)
04*	.625 (15.9)	.750 (19.1)	.800 (20.3)
05*	.750 (19.1)	.875 (22.2)	.925 (23.5)

* Not Available in L and R Entries

RFI/EMI Gasket Supplied



- Metric dimensions (mm) are indicated in parentheses.
- For effective grounding, connector with conductive finish should be used.
- Material/Finish:
 Backshell = Al Alloy/Finish Per Option
 Hardware = Cres/Passivate
 Gasket = Monel and Neoprene

Mouser Electronics

Authorized Distributor

Click to View Pricing, Inventory, Delivery & Lifecycle Information:

[Glenair:](#)

[507-011M05T](#) [507-011N03T02L](#) [507-011NF02T](#) [507-011NF03B](#) [507-011NF05B](#) [507-011NF05T](#) [507-011NF04T](#)
[507-011NFP02T](#) [507-011NFP04T](#) [507-011NFP03T](#)