

233-100-H2 Box mount hermetic receptacle MIL-DTL-38999 Series III type

| How To Order: Commercial | | | | | | |
|--------------------------------|--|--|---|-----|----|-----------|
| Sample Part Number | 233-100 | | | -H2 | Z1 | 11-35 P N |
| Series / Basic Part No. | Series 23 SuperNine® Hermetic Receptacle | | | | | |
| Connector Style | H2 = Box Mount | | | | | |
| Finish | Z1 = CRES, Passivated ZL = CRES, Nickel Finish | | | | | |
| Shell Size-Insert Arrangement* | Per MIL-STD-1560 | | | | | |
| Contact Type | P = Pin, Solder Cup X = Pin, Eyelet C = Pin, PCB Flex Feedthru | | S = Socket, Solder Cup Z = Socket, Eyelet D = Socket, PCB Flex Feedthru | | | |
| Alternate Key Position* | A, B, C, D, E, N = Normal | | | | | |

*Refer to Section A for complete details

Modification codes may be added directly to the end of any valid part number

D

| Connector Dimensions | | | | | | | |
|----------------------|------------|----------------------|-----------------|-------------|-------------|--------------|--------------|
| Shell Size Code | Shell Size | A Thread | B Sq ±.012(0.3) | C Bsc | D Bsc | E ±.008(0.2) | F ±.008(0.2) |
| A | 9/09 | .6250-.1P-.3L-TS-2A | .937(23.8) | .719(18.3) | .594(15.1) | .128(3.3) | .216(5.5) |
| B | 11 | .7500-.1P-.3L-TS-2A | 1.031(26.2) | .812(20.6) | .719(18.3) | .128(3.3) | .194(4.9) |
| C | 13 | .8750-.1P-.3L-TS-2A | 1.126(28.6) | .906(23.0) | .812(20.6) | .128(3.3) | .194(4.9) |
| D | 15 | 1.0000-.1P-.3L-TS-2A | 1.220(31.0) | .969(24.6) | .906(23.0) | .128(3.3) | .194(4.9) |
| E | 17 | 1.1875-.1P-.3L-TS-2A | 1.311(33.3) | 1.062(27.0) | .969(24.6) | .128(3.3) | .194(4.9) |
| F | 19 | 1.2500-.1P-.3L-TS-2A | 1.437(36.5) | 1.156(29.4) | 1.062(27.0) | .128(3.3) | .194(4.9) |
| G | 21 | 1.3750-.1P-.3L-TS-2A | 1.563(39.7) | 1.250(31.8) | 1.156(29.4) | .128(3.3) | .194(4.9) |
| H | 23 | 1.5000-.1P-.3L-TS-2A | 1.689(42.9) | 1.375(34.9) | 1.250(31.8) | .154(3.9) | .242(6.1) |
| J | 25 | 1.6250-.1P-.3L-TS-2A | 1.811(46.0) | 1.500(38.1) | 1.375(34.9) | .154(3.9) | .242(6.1) |

| Connector Dimensions (Continued) | | | | | |
|----------------------------------|------------|----------------------|-------------|-------------|--------------|
| Shell Size Code | Shell Size | Ø G Holes ±.005(0.1) | Ø H Min | Ø J Min | K ±.005(0.1) |
| A | 9/09 | .128(3.3) | .656(16.7) | .516(13.1) | .719(18.3) |
| B | 11 | .128(3.3) | .781(19.8) | .625(15.9) | .812(20.6) |
| C | 13 | .128(3.3) | .921(23.4) | .750(19.1) | .906(23.0) |
| D | 15 | .128(3.3) | 1.047(26.6) | .906(23.0) | .968(24.6) |
| E | 17 | .128(3.3) | 1.218(30.9) | 1.016(25.8) | 1.062(27.0) |
| F | 19 | .128(3.3) | 1.296(32.9) | 1.142(35.9) | 1.156(29.4) |
| G | 21 | .128(3.3) | 1.421(36.1) | 1.266(32.2) | 1.250(31.8) |
| H | 23 | .154(3.9) | 1.546(39.3) | 1.375(34.9) | 1.375(34.9) |
| J | 25 | .154(3.9) | 1.672(42.5) | 1.484(37.7) | 1.500(38.1) |

| Contact Size & Diameter | |
|--|------------------------------|
| PRINTED CIRCUIT TAIL CONFIGURATIONS CONTACT STYLE C AND D | |
| | |
| Contact Size | Ø P |
| 22D | .011 (0.28) .015 (0.38) |
| 20 | .024 (0.61) .028 (0.71) |
| 16 | .0635 (1.61) .0615 (1.56) |
| 12 | .095 (2.41) .093 (2.36) |

| Hermetic Leak Rate Mod Codes | |
|------------------------------|--|
| Designator | Required Leak Rate |
| -585A | 1 x 10 ⁻¹⁰ cc Helium per second |
| -585B | 1 x 10 ⁻⁹ cc Helium per second |
| -585C | 1 x 10 ⁻⁸ cc Helium per second |

| Wire Accommodation | |
|--------------------|------------|
| Contact Size | Wire Gauge |
| 22D | #22 - #28 |
| 20 | #20 - #24 |
| 16 | #16 - #20 |
| 12 | #12 - #14 |

SuperNine® Hermetic connectors

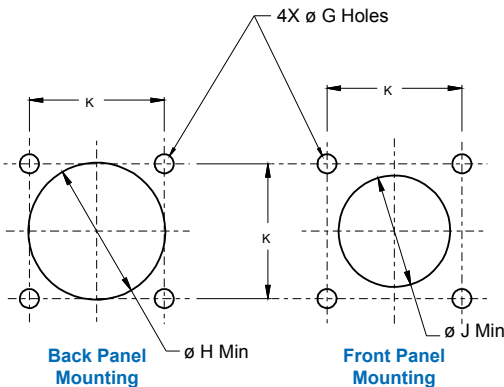
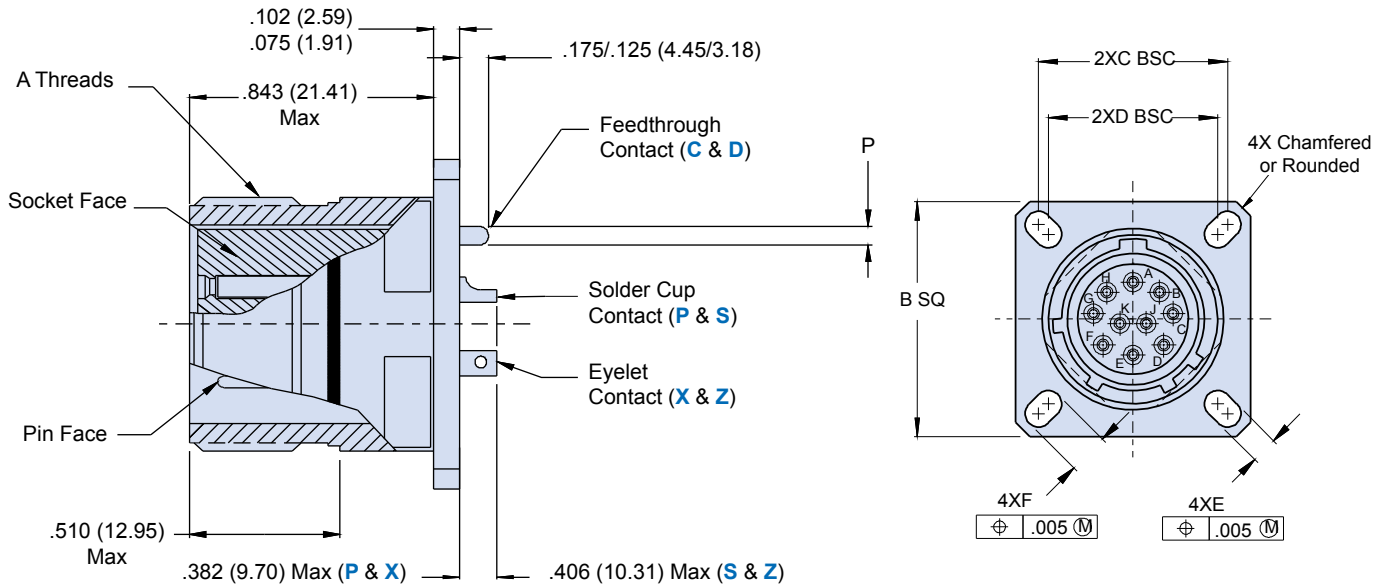
D38999/21 Box mount hermetic receptacle

MIL-DTL-38999 Series III QPL



| How To Order: MS | | | | | | |
|----------------------------------|---|-----|-------------------------------|------|---|---|
| Sample Part Number | D38999 | /21 | Y | B-35 | P | N |
| Series / Basic Part No. | MIL-DTL-D38999 Series III Type | | | | | |
| Connector Style | /21 = Box Mount | | | | | |
| Finish | Y = CRES, Passivated N = CRES, Nickel Finish | | | | | |
| Shell Size - Insert Arrangement* | Per MIL-STD-1560 | | | | | |
| Contact Type | P = Pin, Solder Cup | | S = Socket, Solder Cup | | | |
| | X = Pin, Eyelet | | Z = Socket, Eyelet | | | |
| | C = Pin, PCB Flex Feedthru | | D = Socket, PCB Flex Feedthru | | | |
| Alternate Key Position* | A, B, C, D, E, N = Normal | | | | | |

***Refer to Section A for complete details**
Modification codes may be added directly to the end of any valid part number



| Mates With | |
|------------------|--|
| Plug Part Number | Description |
| 233-105SG6 | SuperNine® plug with single integrated band porch |
| 233-105BG6 | SuperNine® plug with integrated band porch and boot groove |
| 233-105DG6 | SuperNine® plug with double integrated band porch |
| 233-105-G6 | SuperNine® plug with accessory attachment threads |

D

Mouser Electronics

Authorized Distributor

Click to View Pricing, Inventory, Delivery & Lifecycle Information:

Glenair:

[233-100-H2Z109-35PA](#) [233-100-H2Z109-35PD](#) [233-100-H2Z109-35PN](#) [233-100-H2Z109-35XN](#) [233-100-H2Z109-98PA](#) [233-100-H2Z109-98PD](#) [233-100-H2Z109-98PN](#) [233-100-H2Z111-05CN](#) [233-100-H2Z111-05PB](#) [233-100-H2Z111-05PN](#) [233-100-H2Z111-35PA](#) [233-100-H2Z111-35PB](#) [233-100-H2Z111-35PN](#) [233-100-H2Z111-98PA](#) [233-100-H2Z111-98PB](#) [233-100-H2Z111-98PC](#) [233-100-H2Z111-98PN](#) [233-100-H2Z111-98XA](#) [233-100-H2Z111-98XB](#) [233-100-H2Z111-99PN](#) [233-100-H2Z113-04PA](#) [233-100-H2Z113-04PN](#) [233-100-H2Z113-04SN](#) [233-100-H2Z113-08PN](#) [233-100-H2Z113-35PA](#) [233-100-H2Z113-35PB](#) [233-100-H2Z113-35PC](#) [233-100-H2Z113-35PE](#) [233-100-H2Z113-35PN](#) [233-100-H2Z113-98PA](#) [233-100-H2Z113-98PN](#) [233-100-H2Z115-05PN](#) [233-100-H2Z115-18PN](#) [233-100-H2Z115-19PA](#) [233-100-H2Z115-19PN](#) [233-100-H2Z115-35PN](#) [233-100-H2Z115-97PA](#) [233-100-H2Z115-97PN](#) [233-100-H2Z117-06PA](#) [233-100-H2Z117-06PN](#) [233-100-H2Z117-08PN](#) [233-100-H2Z117-26PB](#) [233-100-H2Z117-35PA](#) [233-100-H2Z117-35PN](#) [233-100-H2Z117-99PN](#) [233-100-H2Z119-32PN](#) [233-100-H2Z119-35PA](#) [233-100-H2Z121-11PN](#) [233-100-H2Z121-39PN](#) [233-100-H2Z121-41PA](#) [233-100-H2Z121-41PN](#) [233-100-H2Z123-21PA](#) [233-100-H2Z123-21PN](#) [233-100-H2Z123-53PN](#) [233-100-H2Z125-04PA](#) [233-100-H2Z125-04PN](#) [233-100-H2Z125-19PN](#) [233-100-H2Z125-35PN](#) [233-100-H2ZL09-35PA](#) [233-100-H2ZL09-35PB](#) [233-100-H2ZL09-35PC](#) [233-100-H2ZL09-35PN](#) [233-100-H2ZL09-98CC](#) [233-100-H2ZL09-98PN](#) [233-100-H2ZL11-02PN](#) [233-100-H2ZL11-04XN](#) [233-100-H2ZL11-05PA](#) [233-100-H2ZL11-05PN](#) [233-100-H2ZL11-35PA](#) [233-100-H2ZL11-35PB](#) [233-100-H2ZL11-35PC](#) [233-100-H2ZL11-35PN](#) [233-100-H2ZL11-98PN](#) [233-100-H2ZL11-99PB](#) [233-100-H2ZL11-99PC](#) [233-100-H2ZL11-99PN](#) [233-100-H2ZL13-04PN](#) [233-100-H2ZL13-08CB](#) [233-100-H2ZL13-08PN](#) [233-100-H2ZL13-35PA](#) [233-100-H2ZL13-35PB](#) [233-100-H2ZL13-35PN](#) [233-100-H2ZL13-98PN](#) [233-100-H2ZL13-98SA](#) [233-100-H2ZL15-05PN](#) [233-100-H2ZL15-18PN](#) [233-100-H2ZL15-19PN](#) [233-100-H2ZL15-35PN](#) [233-100-H2ZL15-97PN](#) [233-100-H2ZL17-06PN](#) [233-100-H2ZL17-08PN](#) [233-100-H2ZL17-26PB](#) [233-100-H2ZL17-26PN](#) [233-100-H2ZL17-35PN](#) [233-100-H2ZL19-32PN](#) [233-100-H2ZL19-35CA](#) [233-100-H2ZL19-35CB](#) [233-100-H2ZL19-35CC](#) [233-100-H2ZL19-35PA](#) [233-100-H2ZL19-35PN](#)