



## Series 804 Push-Pull Mighty Mouse PC Tail or Solder Cup Receptacle 804-005, 804-020 Ordering Information



**Panel Mount Receptacles** feature factory-installed non-removable contacts. Choose solder cup or PC Tail terminals. Available in front or rear panel mount versions.

### Water Immersion, Unmated

Specify **804-005** connectors for applications where open face water immersion is not a requirement. For MIL-STD-810 Method 512G immersion requirements, specify **804-020** watertight connectors. These 804-020 connectors are specially sealed ("MOD-518") and are 100% tested to maintain a helium leak rate of  $1 \times 10^{-4}$  cc/second at one atmosphere pressure differential from -40C to +70C.

### How To Order

Sample Part Number	804-005	-07	NF	9-4	E	A
<b>Series</b>	<b>804-005</b> = Solder Cup or PCB Receptacle with Standard Potting <b>804-020</b> = Solder Cup or PCB Receptacle with Special "MOD-518" Sealing for Open Face (Unmated) Water Immersion Requirements. 100% Leak Tested.					
<b>Shell Style (See Table I)</b>	<b>-00</b> = Front Panel Mount Jam Nut (See Table IV) <b>-07</b> = Rear Panel Mount Jam Nut (See Table III)					
<b>Shell Material and Finish</b>	<b>C</b> = Aluminum / Black Anodize (Non-Conductive); RoHS Compliant <b>M</b> = Aluminum / Electroless Nickel; RoHS Compliant <b>MT</b> = Aluminum / Nickel-PTFE RoHS Compliant <b>NF</b> = Aluminum / Cadmium with Olive Drab Chromate <b>ZNU</b> = Aluminum / Zinc-Nickel with Black Chromate <b>Z1</b> = Stainless Steel / Passivated; RoHS Compliant					
<b>Shell Size - Insert Arrangement</b>	See Contact Arrangements Page G-2					
<b>Contact Type</b>	<b>P</b> = Pin, PC Tail <b>E</b> = Pin, Solder Cup <b>S</b> = Socket, PC Tail <b>F</b> = Socket, Solder Cup					
<b>Shell Key Positions (See Table II)</b>	<b>Omit</b> = Single Master Key <b>A</b> = Normal <b>B</b> = Pos. B <b>C</b> = Pos. C <b>D</b> = Pos. D <b>E</b> = Pos. E <b>F</b> = Pos. F					

Table I: Shell Style

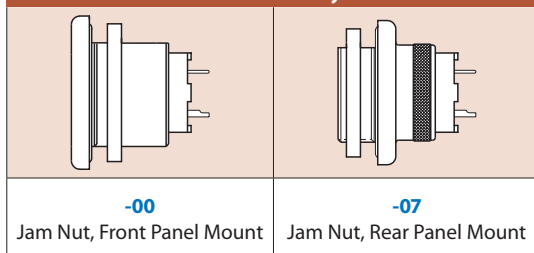
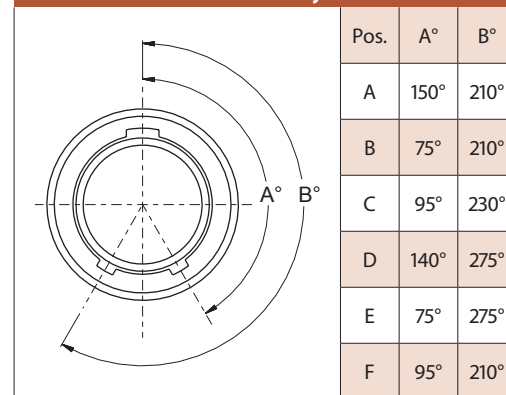


Table II: Alternate Key Positions



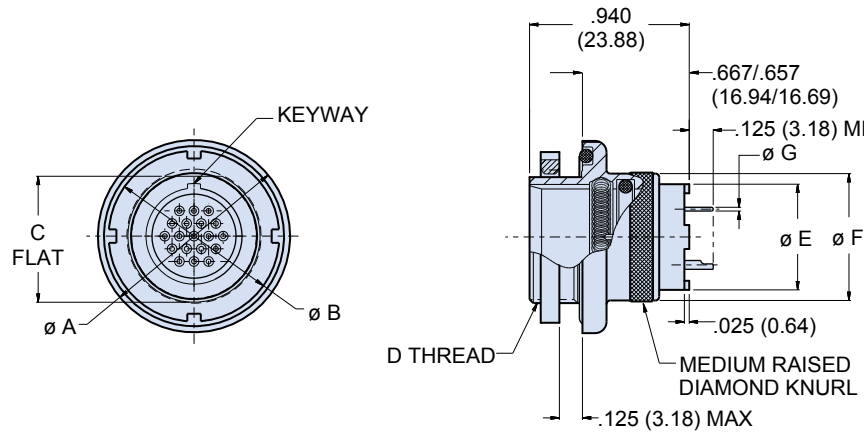
Dimensions in Inches (millimeters) are subject to change without notice.

Series 804 Push-Pull Mighty Mouse Connector  
PCB or Solder Cup Receptacle  
804-005-07, 804-020-07 Dimensions



Series 804

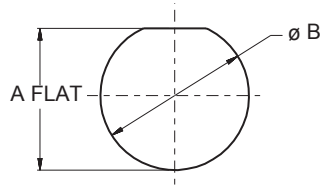
**Jam nut, rear panel mount receptacle - style 07**



**Rear Panel Jam Nut**  
804-005-07

Dimensions												
Shell Size	Ø A		Ø B		C Flat		D Threads	Ø E		Ø F		Ø G Tail Dia.
	In.	mm.	In.	mm.	In.	mm.		In.	mm.	In.	mm.	
5	.730	18.54	.562	14.27	.415	10.54	.4375-32 UN-2A	.244	6.20	.435	11.05	<b>#23</b> .018/.022 (0.46/0.56) <b>#20</b> .024/.028 (0.61/0.71) <b>#16</b> .060/.064 (1.52/1.63) <b>#12</b> .092/.096 (2.34/2.44)
6	.730	18.54	.625	15.87	.467	14.40	.5000-32 UN-2A	.330	8.38	.483	12.27	
7	.910	23.11	.750	19.05	.594	15.09	.6250-28 UN-2A	.432	10.97	.570	14.48	
8	.955	24.26	.750	19.05	.594	15.09	.6250-28 UN-2A	.493	12.52	.593	15.06	
9	1.000	25.40	.812	20.62	.655	16.64	.6875-28 UN-2A	.551	14.00	.685	17.40	
10	1.085	27.48	.875	22.22	.721	18.31	.7500-28 UN-2A	.620	15.75	.725	18.42	
11	1.135	28.83	.938	23.83	.788	20.02	.8125-28 UN-2A	.662	16.81	.810	20.57	
12	1.190	30.23	1.000	25.40	.843	21.41	.8750-28 UN-2A	.703	17.86	.850	21.59	
14	1.325	33.66	1.125	28.57	.968	24.59	1.0000-28 UN-2A	.863	21.92	.973	24.71	

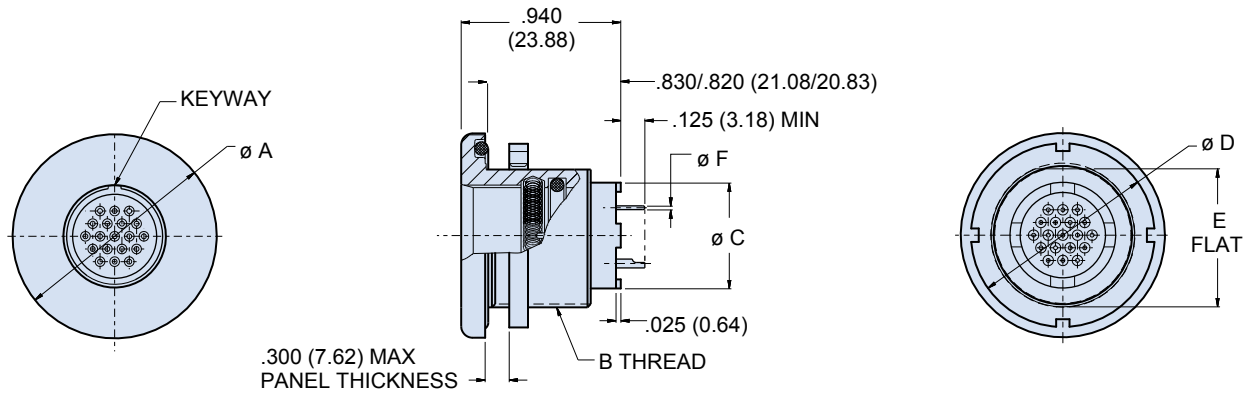
Rear Mount Jam Nut Panel Mount Cutout				
Shell Size	A Flat		Ø B	
	In. ± .002	mm. ± 0.05	In. ± .005	mm. ± 0.13
5	.427/.423	10.85/10.74	.448	11.38
6	.479/.475	12.17/12.07	.510	12.95
7	.606/.602	15.39/15.29	.635	16.13
8	.606/.602	15.39/15.29	.635	16.13
9	.667/.663	16.94/16.84	.695	17.65
10	.734/.729	18.64/18.52	.760	19.30
11	.801/.796	20.35/20.22	.822	20.88
12	.855/.851	21.72/21.62	.885	22.48
14	.980/.976	24.89/24.79	1.010	25.65



Dimensions in Inches (millimeters) are subject to change without notice.



### Jam nut, front panel mount receptacle - style 00



**Front Panel Jam Nut**  
804-005-00

Shell Size	Dimensions									
	Ø A		B Threads	Ø C		Ø D		E Flat		Ø F Tail Dia.
	In.	mm.		In.	mm.	In.	mm.	In.	mm.	
5	.830	21.08	.5000-32 UN-2A	.244	6.20	.625	15.87	.470	11.94	<b>#23</b> .018/.022 (0.46/0.56) <b>#20</b> .024/.028 (0.61/0.71) <b>#16</b> .060/.064 (1.52/1.63) <b>#12</b> .092/.096 (2.34/2.44)
6	.885	22.48	.5625-28 UN-2A	.330	8.38	.688	17.47	.530	13.46	
7	.995	25.27	.6875-28 UN-2A	.432	10.97	.812	20.62	.663	16.84	
8	.995	25.27	.6875-28 UN-2A	.493	12.52	.812	20.62	.663	16.84	
9	1.075	27.31	.7500-28 UN-2A	.551	14.00	.875	22.22	.720	18.29	
10	1.140	28.95	.8125-28 UN-2A	.620	15.75	.938	23.82	.788	20.02	
11	1.190	30.23	.8750-28 UN-2A	.662	16.81	1.000	25.4	.843	21.41	
12	1.340	34.04	1.0000-28 UN-2A	.703	17.86	1.125	28.57	.970	24.64	
14	1.390	35.31	1.0620-20 UN-2A	.863	21.92	1.162	29.51	1.020	25.91	

**Front Mount Jam Nut Panel Cutout**

Shell Size	A Flat		Ø B	
	In.	mm.	In.	mm.
	±.002	±0.05	±.005	±0.13
5	0.480	12.19	0.510	12.95
6	0.540	13.73	0.575	14.61
7	0.673	17.09	0.698	17.73
8	0.673	17.09	0.698	17.73
9	0.730	18.54	0.760	19.30
10	0.798	20.27	0.822	20.88
11	0.853	21.67	0.885	22.48
12	0.980	24.89	1.010	25.65
14	1.030	26.16	1.075	27.31

Dimensions in Inches (millimeters) are subject to change without notice.

# Mouser Electronics

Authorized Distributor

Click to View Pricing, Inventory, Delivery & Lifecycle Information:

## Glenair:

[804-005-00C6-7E](#) [804-005-00UCR9-19FA](#) [804-005-07M12-7P](#) [804-005-07M14-235SA](#) [804-005-07MT6-7PA](#) [804-005-07M10-26S](#) [804-005-07M12-37S](#) [804-005-07M5-3P](#) [804-005-07M5-3S](#) [804-005-07M6-7S](#) [804-005-07M7-10S](#) [804-005-07M8-13S](#) [804-005-07M9-19S](#) [804-005-07ZNU10-26P](#) [804-005-07ZNU12-37S](#) [804-005-07ZNU6-7P](#) [804-005-07ZNU7-10P](#) [804-005-07ZNU8-13P](#) [804-005-07ZNU9-19P](#) [804-005-00M7-10S](#) [804-005-00M8-13P](#) [804-005-00M8-13S](#) [804-005-00ZNU7-10S](#) [804-005-07M14-55P](#) [804-005-07M14-55S](#) [804-005-07M6-4S](#) [804-005-07M7-10P](#) [804-005-07NF7-10P](#) [804-005-07NF7-10S](#) [804-005-07ZNU5-3S](#) [804-005-07ZNU6-4S](#) [804-005-07ZNU6-7S](#) [804-005-07ZNU7-10S](#) [804-005-07ZNU8-13S](#) [804-005-07ZNU9-4S](#) [804-005-07C6-7E](#) [804-005-00C10-26P](#) [804-005-00M12-2P](#) [804-005-00M12-2S](#) [804-005-00M12-37P](#) [804-005-00M12-37S](#) [804-005-00M7-10P](#) [804-005-00M7-1S](#) [804-005-00NF6-4F](#) [804-005-00ZN8-13EA](#) [804-005-00ZNU10-26P](#) [804-005-00ZNU10-26S](#) [804-005-00ZNU12-2P](#) [804-005-00ZNU12-2S](#) [804-005-00ZNU12-37P](#) [804-005-00ZNU12-37S](#) [804-005-00ZNU14-55P](#) [804-005-00ZNU6-1P](#) [804-005-00ZNU6-1S](#) [804-005-00ZNU6-4P](#) [804-005-00ZNU6-7P](#) [804-005-00ZNU7-10P](#) [804-005-00ZNU8-13P](#) [804-005-00ZNU8-13S](#) [804-005-00ZNU9-19S](#) [804-005-00ZNU9-4S](#) [804-005-07C12-37S](#) [804-005-07C6-7S](#) [804-005-07M10-26P](#) [804-005-07M12-2P](#) [804-005-07M12-2S](#) [804-005-07M12-37P](#) [804-005-07M15-85S](#) [804-005-07M6-1P](#) [804-005-07M6-1S](#) [804-005-07M6-4P](#) [804-005-07M6-7P](#) [804-005-07M7-1P](#) [804-005-07M7-1S](#) [804-005-07M8-13P](#) [804-005-07M9-19P](#) [804-005-07M9-4P](#) [804-005-07M9-4S](#) [804-005-07NF6-7F](#) [804-005-07ZNU10-26S](#) [804-005-07ZNU12-2P](#) [804-005-07ZNU12-2S](#) [804-005-07ZNU12-37P](#) [804-005-07ZNU14-55P](#) [804-005-07ZNU14-55S](#) [804-005-07ZNU15-85P](#) [804-005-07ZNU15-85S](#) [804-005-07ZNU5-3P](#) [804-005-07ZNU6-1P](#) [804-005-07ZNU6-1S](#) [804-005-07ZNU6-4P](#) [804-005-07ZNU6-7SC](#) [804-005-07ZNU7-1P](#) [804-005-07ZNU7-1S](#) [804-005-07ZNU9-19S](#) [804-005-07ZNU9-4P](#) [804-005-00C8-13P](#) [804-02007NF7-10PA](#) [804-005-07ZNU8-13F](#) [804-005-07MT10-26P](#)