



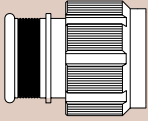
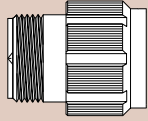
Series 801 Miniature Plug Connectors with Size #12 Ultra-Twinax Contacts

801-007 and 801-008 Ordering Information



New Mighty Mouse contact arrangements accept size #12 Ultra-Twinax contacts for multi-gigabit data rate applications. Series 801 Mighty Mouse plugs feature damage-resistant double-start ACME mating threads. Available with anti-decoupling feature or vibration-resistant ratchet mechanism. Purchase twinax contacts separately. Connector shells are aluminum or stainless steel, with thermoplastic insulators and fluorosilicone rubber seals.

How To Order						
Sample Part Number	801-008	-16	M	7-1	P	A
Series (See Table I)	801-007 = Plug Connector with Banding Termination Porch 801-008 = Plug Connector with Rear Accessory Thread					
Shell Style	-16 = Plug with Anti-Decoupling Spring -26 = Self-Locking Plug with Ratchet Mechanism					
Shell Material and Finish	M = Aluminum / Electroless Nickel RoHS Compliant NF = Aluminum / Cadmium with Olive Drab Chromate ZR = Aluminum / Zinc-Nickel with Non-Reflective Black Chromate RoHS Compliant MT = Aluminum / Nickel-PTFE RoHS Compliant Z1 = Stainless Steel / Passivated RoHS Compliant					
Shell Size - Insert Arrangement	Size #12 Contacts (See Page S-2 for Contact Layout) 7-1, 10-2, 13-2, 13-3, 16-5, 17-7, 21-12, Size #12 Combo Contacts (See Page S-2 for Contact Layout) 10-200, 10-201, 13-200, 13-201, 13-204, 13-205, 16-206, 16-207, 17-204					
Contact Type	Connector supplied without contacts (Order twinax contacts separately.) A = Pin connector, less contacts B = Socket connector, less contacts					
Shell Key Positions (See Table II)	A = Normal B = Pos. B C = Pos. C D = Pos. D E = Pos. E F = Pos. F					

Table I: Series	
	
801-007 Plug Connector with Banding Termination Porch	801-008 Plug Connector with Rear Accessory Thread

S

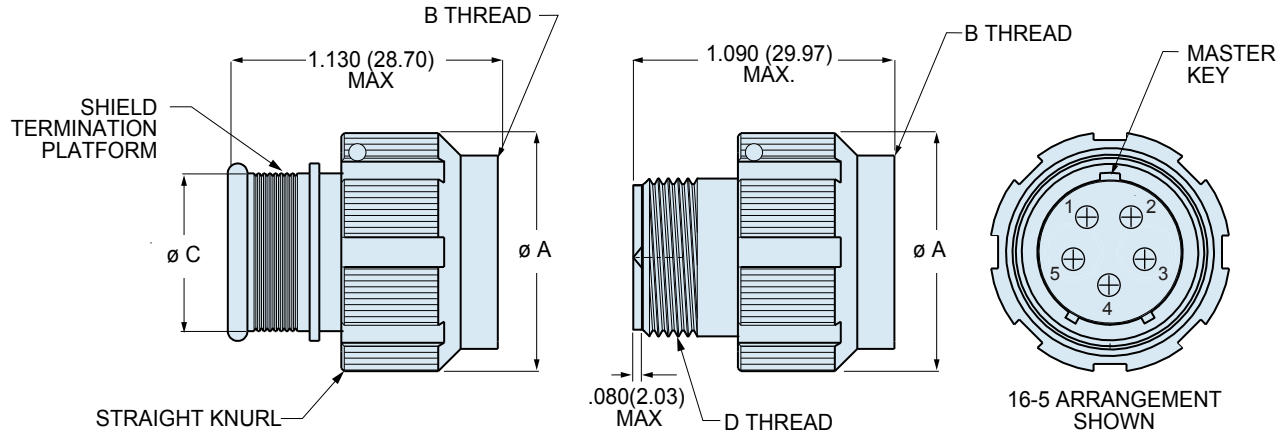
Dimensions in Inches (millimeters) are subject to change without notice.

**Series 801 Miniature Plug Connectors
with Size #12 Ultra-Twinax Contacts
801-007 and 801-008 Dimensions**



Ultra-Twinax

Series 801 Plug Connectors with Size #12 Contacts - shell style 16/26



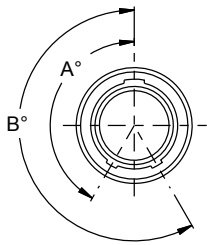
Banding Porch

801-007-16 and 801-007-26

Accessory Thread

801-008-16 and 801-008-26

Table II: Plug Key Positions



Position	A°	B°
A	150°	210°
B	75°	210°
C	95°	230°
D	140°	275°
E	75°	275°
F	95°	210°

Dimensions

Shell Size	Style 16 ØA		Style 26 ØA		B Thread	Ø C		D Thread UNEF-2A
	In.	mm.	In	mm.		In	mm.	
7	.690	17.53	.790	20.07	.4375-.05P-.1L-DS-2B	.390	9.91	.4375-28
10	.880	22.35	.980	24.89	.6250-.05P-.1L-DS-2B	.560	14.22	.6250-24
16	1.240	31.50	1.340	34.04	1.000-.1P-.2L-DS-2B	.805	20.45	.9375-20
17	1.300	33.02	1.450	36.83	1.0625-.1P-.2L-DS-2B	.850	21.59	.9375-20
21	1.550	39.07	1.650	41.91	1.3125-.1P-.2L-DS-2B	1.110	28.19	1.1875-18

Dimensions in Inches (millimeters) are subject to change without notice.

Mouser Electronics

Authorized Distributor

Click to View Pricing, Inventory, Delivery & Lifecycle Information:

Glenair:

[801-008-16ZNU10-26SA](#) [801-008-16M10-26AA](#) [801-008-16M13-220PA](#) [801-008-16M13-220SA](#) [801-008-16M16-55BA](#) [801-008-16M6-23PA](#) [801-008-26ZNU9-19SA](#) [801-008-26ZNU7-10PA](#) [801-008-16M8-2PA](#) [801-008-26ZNU6-4PA](#) [801-008-26M17-3PA](#) [801-008-26M21-130SA](#) [801-008-26MT11-31PB](#) [801-008-26NF7-10PB](#) [801-008-26Z16-7SA-131](#) [801-008-26Z19-19SA-131](#) [801-008-16NF6-23SA](#) [801-008-16NF6-6SA](#) [801-008-16ZL13-37PA](#) [801-008-16ZL13-7PA](#) [801-008-16ZNU6-6PA](#) [801-008-26M13-220SA](#) [801-008-16M6-7BA](#) [801-008-16M9-19AA](#) [801-008-16M9-4BA](#) [801-008-16MT8-28SA](#) [801-008-16NF10-26PB](#) [801-008-16NF17-14SA](#)