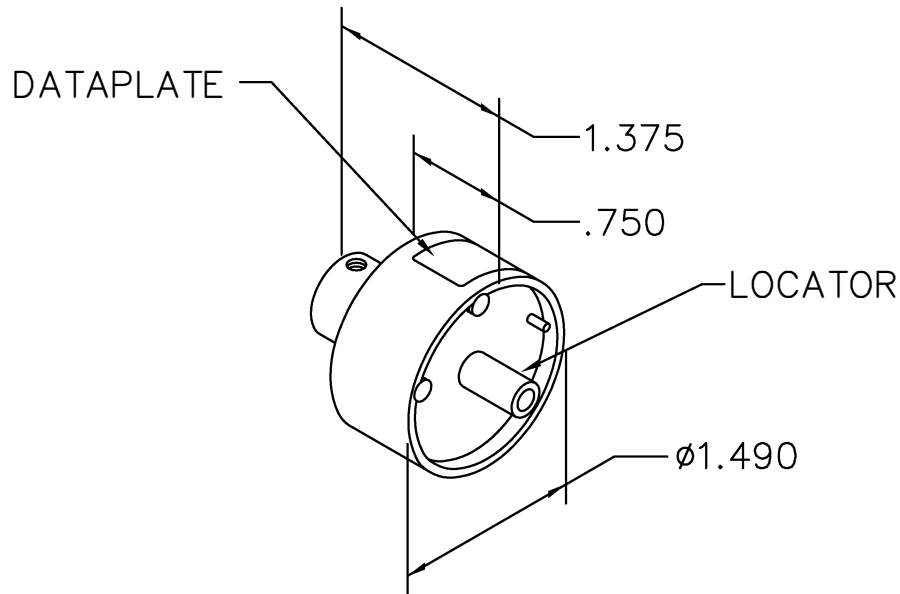


REVISIONS				
REV. SYM.	E.C.O. NUMBER	DESCRIPTION	BY DATE	APP'D DATE
1		ORIGINAL RELEASE	AAM 3-12-98	DE 3-98

**UNCONTROLLED DOCUMENT  
WILL NOT BE UPDATED**



DEUTSCH CONTACTS	14	12	10	8	WIRE SIZE
018-0007-08			3		SEL. NO. USE WITH M300BT
1841-5-5608			2	2	
018-0878-08	2	5			

DATAPLATE

LOCATOR	
HOLE DIMENSIONS	ADDITIONAL FEATURES
$\phi.212$ $\nabla 1.14$ MIN.	$\phi.257$ $\nabla .103$

**RESTRICTED & CONFIDENTIAL**

CONFIDENTIAL PROPERTY OF DANIELS MANUFACTURING CORP. NOT TO BE DISCLOSED TO OTHERS, REPRODUCED OR USED FOR ANY OTHER PURPOSE, EXCEPT AS AUTHORIZED IN WRITING BY DANIELS MANUFACTURING. MUST BE RETURNED TO DANIELS MANUFACTURING CORP. ON COMPLETION OF ORDER OR OTHER PURPOSE FOR WHICH LENT.

DO NOT SCALE DRAWING

DRN. A. MOO-YOUNG	DATE 3-12-98
CHK'D. DE	DATE 3-98
APP'D.	DATE
APP'D.	DATE

**NOTE:**  
THIS DRAWING IS AN OUTLINE DRAWING OF THE RESPECTIVE DMC PART NUMBER INDICATED. ACTUAL DMC PART NUMBER IS DRAWING NUMBER WITHOUT THE "-ENV" SUFFIX.



DANIELS MANUFACTURING CORP.  
ORLANDO, FLORIDA  
CAGE 11851

TITLE  
**ENVELOPE DRAWING  
SINGLE POSITION HEAD**

WHERE USED:		CAD P/N	SHEET OF
SIZE A	SCALE NTS	SP708-ENV	1 OF 1
POSTING	DWG. NO.	REV.	
	SP708-ENV	1	

# Mouser Electronics

Authorized Distributor

Click to View Pricing, Inventory, Delivery & Lifecycle Information:

[Daniels Manufacturing:](#)

[SP708](#)