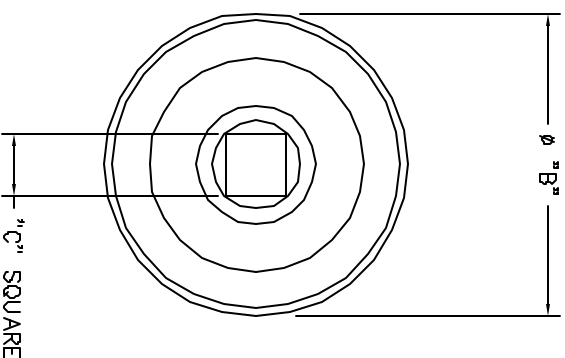
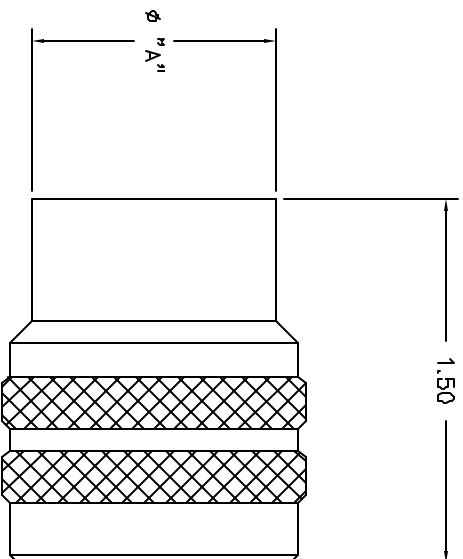


REVISIONS			
REV. NO.	ECNO. NUMBER	DESCRIPTION	BY DATE APPR. DATE
1		ORIGINAL RELEASE	12/7/00 12/7/00

**UNCONTROLLED DOCUMENT
WILL NOT BE UPDATED**



CM5015-48	2.920	2.984	3/8	ALL
CM5015-44	2.670	2.734	3/8	ALL
CM5015-40	2.420	2.484	3/8	ALL
CM5015-36	2.170	2.234	3/8	ALL
CM5015-32	1.930	1.994	3/8	ALL
CM5015-28	1.680	1.740	3/8	ALL
CM5015-24	1.430	1.494	3/8	ALL
CM5015-22	1.305	1.369	3/8	ALL
CM5015-20	1.180	1.369	3/8	ALL
CM5015-18	1.055	1.119	1/4	ALL
CM5015-16	.935	1.000	1/4	ALL
CM5015-14	.810	.874	1/4	ALL
CM5015-12	.685	.874	1/4	ALL
CM5015-10	.570	.874	1/4	ALL
CM5015-8	.450	.874	1/4	ALL
PART NO.	DIM. "A"	DIM. "B"	DIM. "C"	KEYING POSITION

<p style="text-align: center;">RESTRICTED & CONFIDENTIAL</p> <p style="text-align: center;">CONFIDENTIAL PROPERTY OF DANIELS MANUFACTURING CORP. THIS DRAWING IS NOT TO BE REPRODUCED OR USED FOR ANY OTHER PURPOSES EXCEPT AS AUTHORIZED IN WRITING BY DANIELS MANUFACTURING CORP. THIS DRAWING IS TO BE RETURNED TO DANIELS MANUFACTURING CORP. UPON COMPLETION OF ORDER OR OTHER PURPOSE FOR WHICH MADE.</p>		MATERIAL	ITEM	PART NO.	QTY.	DESCRIPTION/REMARKS
		HEAT TREAT	DATE	DATE	DATE	DATE
DO NOT SCALE DRAWING		FINISH	APPR. DATE	APPR. DATE	APPR. DATE	APPR. DATE
<p style="text-align: center;">DANIELS MANUFACTURING CORP. ORLANDO, FLORIDA CASE 11851</p>		<p style="text-align: center;">DMC</p>	<p style="text-align: center;">DATE</p>	<p style="text-align: center;">DATE</p>	<p style="text-align: center;">DATE</p>	<p style="text-align: center;">DATE</p>
<p style="text-align: center;">MIL-C-5015 CONNECTOR PLUGS ENVELOPE DRAWING</p>		<p style="text-align: center;">ADAPTOR TOOL FOR ENVELOPE DRAWING</p>	<p style="text-align: center;">DATE</p>	<p style="text-align: center;">DATE</p>	<p style="text-align: center;">DATE</p>	<p style="text-align: center;">DATE</p>
SIZE	SCALE	CAD P/N	SHEET	OF	REV.	
B	2X	CM-S-5015-ENV	1	1	1	
FINISH		P/N				
		CM-S-5015-ENV				

Mouser Electronics

Authorized Distributor

Click to View Pricing, Inventory, Delivery & Lifecycle Information:

Daniels Manufacturing:

[CM5015-14](#) [CM5015-10](#) [CM5015-40](#) [CM5015-24](#) [CM5015-8](#) [CM5015-12S](#) [CM5015-18S](#) [CM5015-32S](#) [CM5015-36S](#) [CM5015-16](#) [CM5015-48](#) [CM5015-20S](#) [CM5015-36](#) [CM5015-12](#) [CM5015-32](#) [CM5015-28S](#) [CM5015-14S](#) [CM5015-22S](#) [CM5015-16S](#) [CM5015-40S](#) [CM5015-10S](#) [CM5015L-8](#) [CM5015-20](#) [CM5015-44S](#) [CM5015-8S](#) [CM5015-22](#) [CM5015-24S](#) [CM5015-18](#) [CM5015-28](#) [CM5015-48S](#) [CM5015-44](#)