

# S1030-TAPE-3/4X33FT ✓ ACTIVE

RAYCHEM

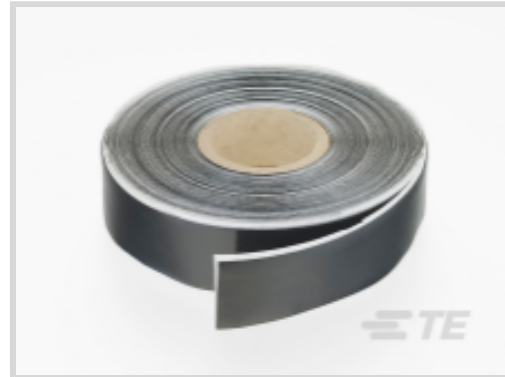
TE Internal #: 095226-000

Polyolefin Adhesive, Hot Melt Tape

[View on TE.com >](#)



Wire Protection & Management > Adhesives & Sealants > Hot Melt Tape



Adhesive Type: **Polyolefin Adhesive**

Operating Temperature Range: **-80 – 80 °C**

## Features

### Product Type Features

Adhesive Type	Polyolefin Adhesive
---------------	---------------------

### Dimensions

Product Length	10 m[33 ft]
Product Width	19 mm[.75 in]

### Usage Conditions

Installation Temperature	120 °C
Operating Temperature Range	-80 – 80 °C

### Industry Standards

Adhesive Specification	RK-6017, RT-1050/6
------------------------	--------------------

### Packaging Features

Packaging Method	Roll
------------------	------

### Other

Adhesive Code	180, S1030
---------------	------------

## Product Compliance

[For compliance documentation, visit the product page on TE.com>](#)

EU RoHS Directive 2011/65/EU	Compliant
EU ELV Directive 2000/53/EC	Compliant
China RoHS 2 Directive MIIT Order No 32, 2016	No Restricted Materials Above Threshold
EU REACH Regulation (EC) No. 1907/2006	Current ECHA Candidate List: JUNE 2024 (241)

Candidate List Declared Against: JUNE 2024 (241)

Does not contain REACH SVHC

Halogen Content

Low Halogen - Br, Cl, F, I < 900 ppm per homogenous material. Also BFR/CFR/PVC Free

Solder Process Capability

Not applicable for solder process capability

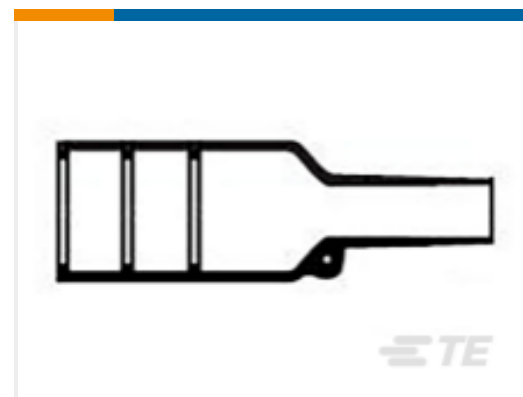
Product Compliance Disclaimer

This information is provided based on reasonable inquiry of our suppliers and represents our current actual knowledge based on the information they provided. This information is subject to change. The part numbers that TE has identified as EU RoHS compliant have a maximum concentration of 0.1% by weight in homogenous materials for lead, hexavalent chromium, mercury, PBB, PBDE, DBP, BBP, DEHP, DIBP, and 0.01% for cadmium, or qualify for an exemption to these limits as defined in the Annexes of Directive 2011/65/EU (RoHS2). Finished electrical and electronic equipment products will be CE marked as required by Directive 2011/65/EU. Components may not be CE marked. Additionally, the part numbers that TE has identified as EU ELV compliant have a maximum concentration of 0.1% by weight in homogenous materials for lead, hexavalent chromium, and mercury, and 0.01% for cadmium, or qualify for an exemption to these limits as defined in the Annexes of Directive 2000/53/EC (ELV). Regarding the REACH Regulation, the information TE provides on SVHC in articles for this part number is based on the latest European Chemicals Agency (ECHA) 'Guidance on requirements for substances in articles' posted at this URL: <https://echa.europa.eu/guidance-documents/guidance-on-reach>

## Compatible Parts



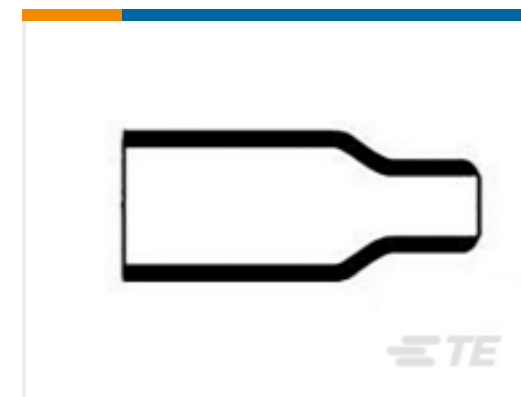
TE Part # CAT-R21-73106549  
Bulbous Heat Shrink Boots: Lipped, Right Angle



TE Part # CAT-R21-731072  
Bulbous Heat Shrink Boots: Lipped, Straight



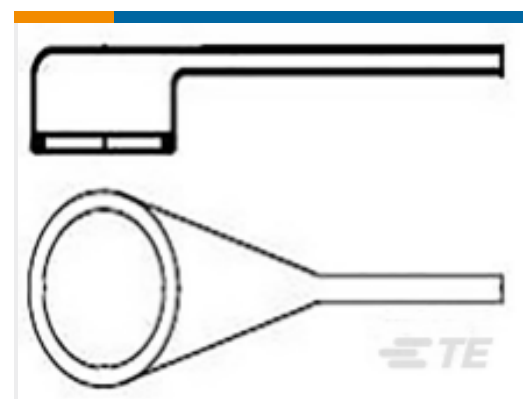
TE Part # CAT-R21-7310723  
Low Profile Heat Shrink Boots: Poly Molded, Lipped, Straight



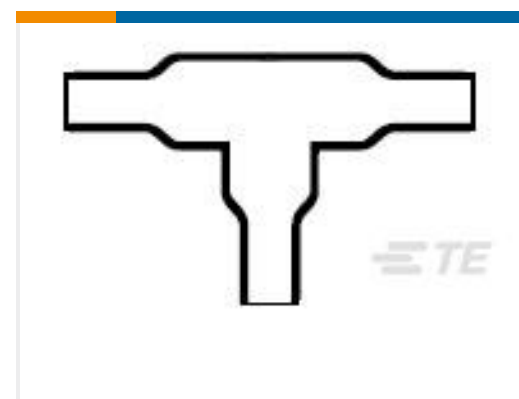
TE Part # CAT-R21-731  
Heat Shrink Boots: Non Lipped, Straight



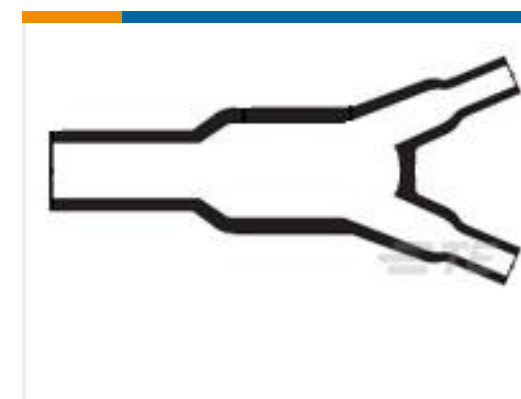
TE Part # CAT-R21-7310654  
Heat Shrink Boots: Non Lipped, Right Angle



TE Part # CAT-R21-7310554  
Heat Shrink Boots: Lipped, Right Angle



TE Part # 740740-000  
301A034-100-0



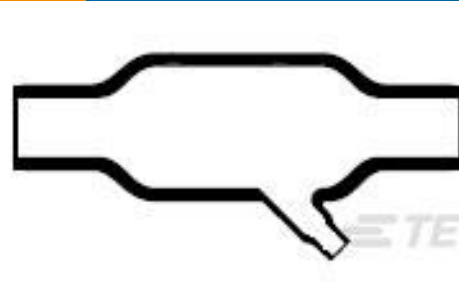
TE Part # 827914-000  
382A034-100-0




TE Part # 439087-000  
101A062-100-0



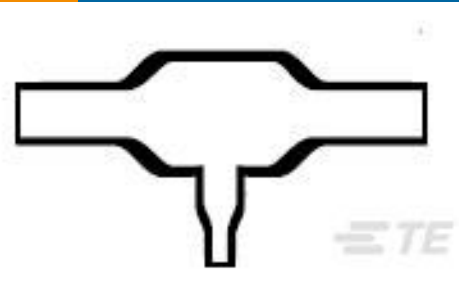
TE Part # 322629-000  
101A073-100-0



TE Part # 301221-000  
342A024-100-0



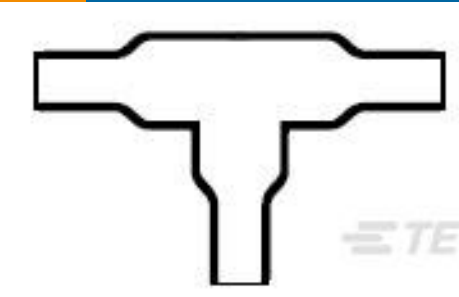
TE Part # 599886-000  
362A014-100-0



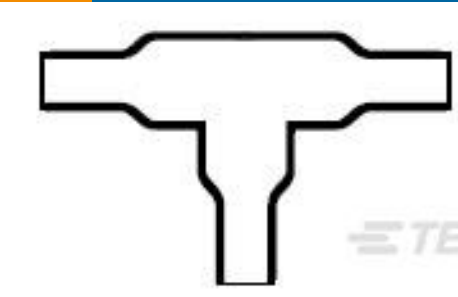
TE Part # 559769-000  
322A134-100-0



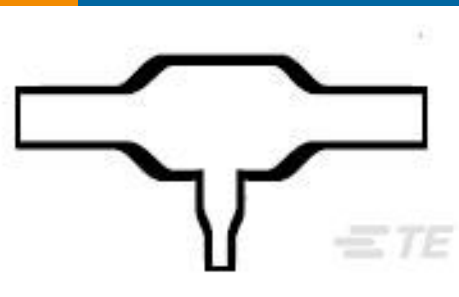
TE Part # 590655-000  
101A094-100-0



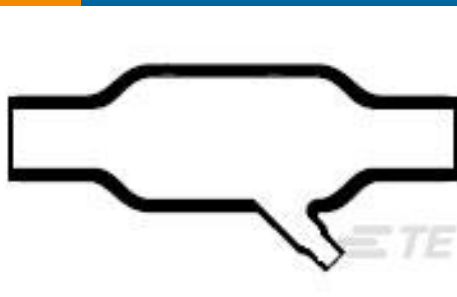
TE Part # 630918-000  
301A011-100-0



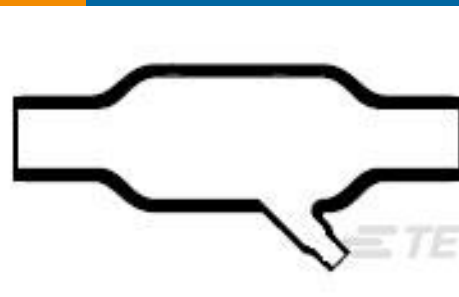
TE Part # 246977-000  
301A022-100-0



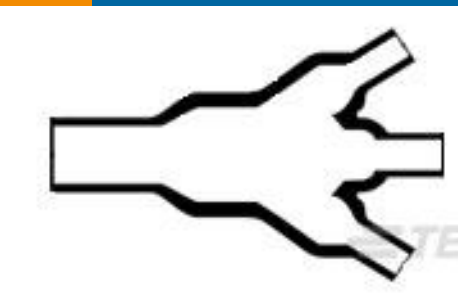
TE Part # 580522-000  
322A112-100-0



TE Part # 940811-000  
342A012-100-0

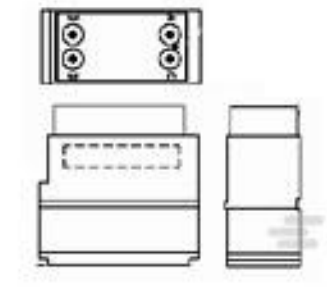


TE Part # 515995-000  
342A034-100-0



TE Part # 391025-000  
462A011-100-0

### Customers Also Bought



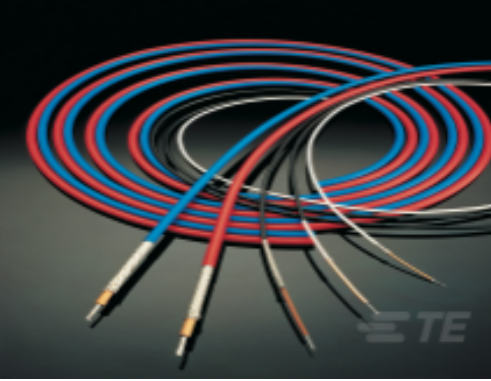
TE Part #591833-1  
TJ F/B 20E09-653



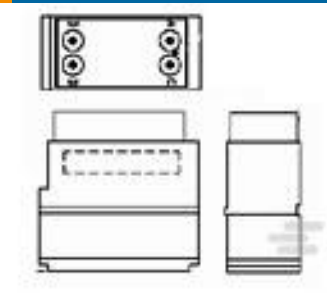
TE Part #1-1971776-3  
PTL 2X3 PLUG HSG STD TEMP KEY A NAT



TE Part #65002-06N  
RECP ASSY




TE Part #935240-000  
2020E0421-9X



TE Part #591833-2  
TJ F/B 20E09-653



TE Part #521284-1  
ULTRA-POD 187 ASSY REC 20-16 AWG BR



TE Part #ANT-916-CW-RCL  
Antenna 1/2 Wave R-Angle 916MHz RPS

TE Part #309031-004  
TU-40-050-28B

### Documents



**Product Drawings**

[S1030-TAPE-3/4X33FT](#)

English

---

**Datasheets & Catalog Pages**

[Adhesives Selection Guide](#)

English

---

**Product Specifications**

[S1030 ADHESIVE TAPE](#)

English

[Thermofit Adhesive and Sealant Thermofit S-1030](#)

English