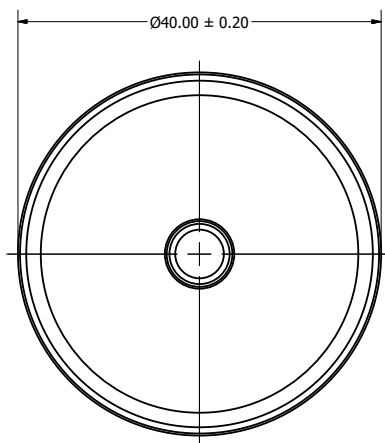
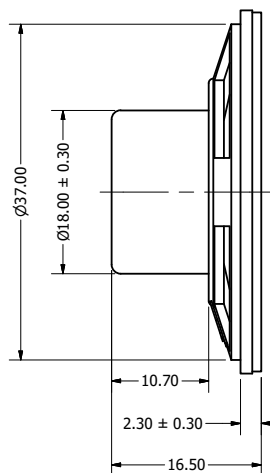


Part Number:	SP400816-1	
	DRAWN	8/4/2016
	CJ	
Description:	CHECKED	8/4/2016
	P.D.	
	J.S.	8/4/2016
Dynamic Speaker		
This document contains data proprietary to DB Unlimited. Any use or reproduction, in any form, without prior written permission of DB Unlimited is prohibited. All terms and conditions can be found at www.dbunlimitedco.com		

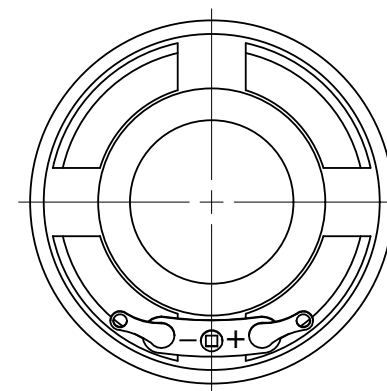
Top View



Side View



Bottom View



Items	Specifications	Conditions	REVISION HISTORY			
			REV	DESCRIPTION	DATE	APPROVED
Sound Pressure Level	98 ± 3	dB (@ 10cm)		Released from Engineering	10/21/2013	J.S.
Resonant Frequency	850	Hz		Updated to new template	8/4/2016	J.S.
Frequency Range	850 ~ 7,000	Hz	1	Corrected SPL	5/22/2017	C.E.
Nominal Power	0.25	W	2	Added Polarity	12/28/2017	C.E.
Max. Power	0.5	W	3			
Impedance	16	Ω				
Cone Material	Paper					
Mount Type	Flush Mount					
Storage Temperature	-25 ~ +55	°C				
Operating Temperature	-25 ~ +55	°C				
Weight	10	g				

- NOTES
- 1) All dimensions are in mm unless otherwise noted
 - 2) All tolerances are ± 0.5 mm unless otherwise noted
 - 3) All parts meet RoHS
 - 4) Subject to change or redrawn without notice